

INDUSTRIAL CHASSIS/WALL MOUNT METAL HOUSING



Wide 21.5" LCD monitor, 1920 x 1080, LED- 1000nits, Chassis design with 5 sides IP65 / AR glass / Front OSD Direct Control brightness from 5% to 100% + and - from the Front OSD membrane.

Model: CSW2150WTIPBNC

Rugged IP65/NEMA4X Industrial touch screen monitor, iTech is the perfect solution for Dusty and Wet industrial environments. Heavy duty Metal housing with powder coating and affordable.

FEATURES:

- High Contrast color TFT LCD Display support resolution up to Full HD
- Power management system conforms to VESA DPMS
- Universal Power adapter.
- Support DDC1 & DDC2B for Plug & Play compatibility.
- Advanced OSD control for picture quality adjustment.
- Detachable stand for wall-mounting application.
- Heavy duty Monitor with steel frame.
- Front IP64/NEMA4X Optional with PCAP or 5 Wire Resistive Touch Screen Options
- IP65 Solid Back housing except I/O and VESA mounting
- Custom design by request.

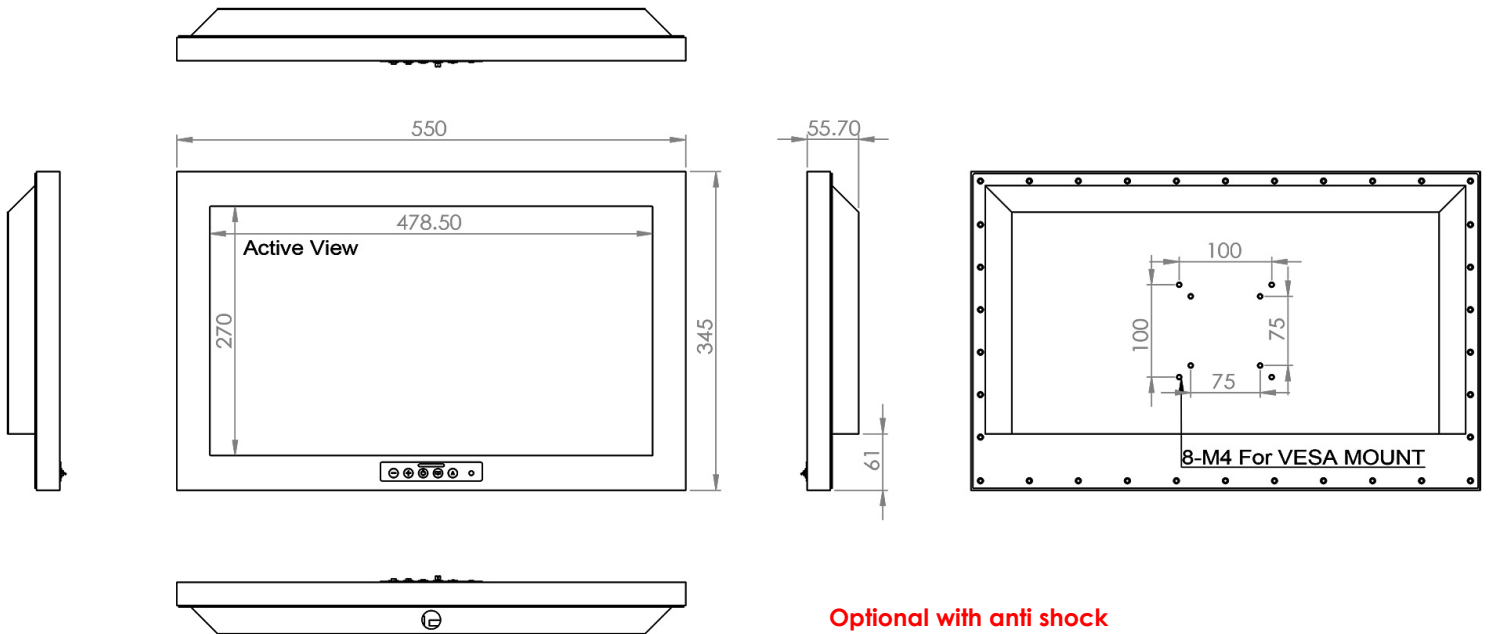
SPECIFICATIONS:

Display	Viewing Size Image	21.5"
	Active Display Area (mm)	478.50 (H) x 270 (V)
	Pixel Pitch (mm)	0.248 x 0.248
	Resolution	1920 x 1080
	Contrast Ratio	5000 : 1 (typ.)
	Color	16.7 M
	Brightness	1000nits
	Viewing Angle	-89~89 (H) ; -89~89 (V)
	Recommended Resolution	1920 x 1080 @ 60Hz
	Signal and Power connectors	3 PigTail Cables (3ft long BNC input x 1 , 3ft long BNC output x 1, 3ft long Jack/Barrel Female DC input 24VDCx 1)
Power	Consumption	est. 65watts
	Management	VESA DPMS Compliant
Optional	Touch	Resistive, PCAP ,IR
	High Brightness	1000, 1500
	Auto Dimming	YES
	POWER in	DC24V,DC9V~36V
	Remote Control	YES
	IO	Video:
Power:		12 VDC External power supply 100-240 VAC 50-60Hz included

APPLICATIONS:



MECHANICAL DRAWING:



Optional with anti shock and vibration dampers

