

SPECIFICATION FOR APPROVAL

MODEL: DAY004-BNC

Rev 1.0

CONTENTS

Cover	01
Contents	02
Record of Revision	03
1. General Description	04
2. Reference Data	05
3. Block Diagram	06
4. Mechanical Characteristic	07
5. Interface List	08
5.1 Definition of main interface	09
6. Photo	11
7. Setup for Operation	12
7.1 OSD Menu	13

Product Specification

Record of Revision

Version & Date	Page	Old Description	New Description	Remark
2019/01/22	All	First Edition for Customer		

1. General Description

- Optional input combination, e.g., TV with PC Monitor.
- Optional input 6-bit or 8-bit LVDS.
- Inverter can supply PWM or Digital Brightness control.
- Small form factor: 160x94 mm.
- Full CRT multi-sync monitor compatibility.
- Multi-sync capability , compatible standard VGA~SXGA+(1400x1050) VESA timing.
- True color (16.7M) data processing and display driving.
- Single control operated On-Screen-Display(hereafter“OSD”)user interface.
- Multi language support (7 Language).
- Full control of all relevant display and interface parameter via OSD.
- VESA DDC 1/2B compliant.
- Compatible with VESA DPMS power saving modes.
- Multi-standard color (PAL/Secam/NTSC).
- Remote Controller support(Option)

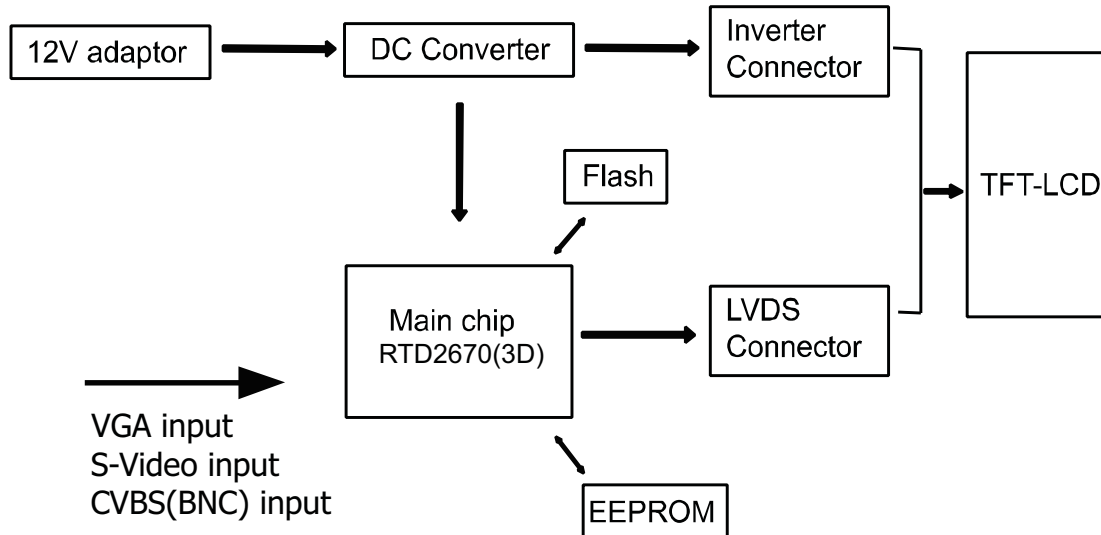
Product Specification

2. Reference Data

Parameter		MIN	TYP	MAX	Unit
Power Requirement	+12V DC (*Note1)	10.8	12	13.2	V
	Input Current (*Note1)	-	3.5	4.0	A
	Panel Power	Supports 3.3V, 5V, Panel			
Frequency	Horizontal sync	30	-	60	KHz
	Vertical sync	56	-	75	
Environmental	Storage Temperature	-30 ~ +85			° C
	Operating Temperature	-20 ~ +70			
Overall dimensions	Length	160			mm
	Width	94			
	Depth (from PCB bottom)	18.1			
Max. output resolution		1400 x 1050			pixel
Max. number of colors		16.7M			colors

Note 1: Power Input.

3. Block Diagram



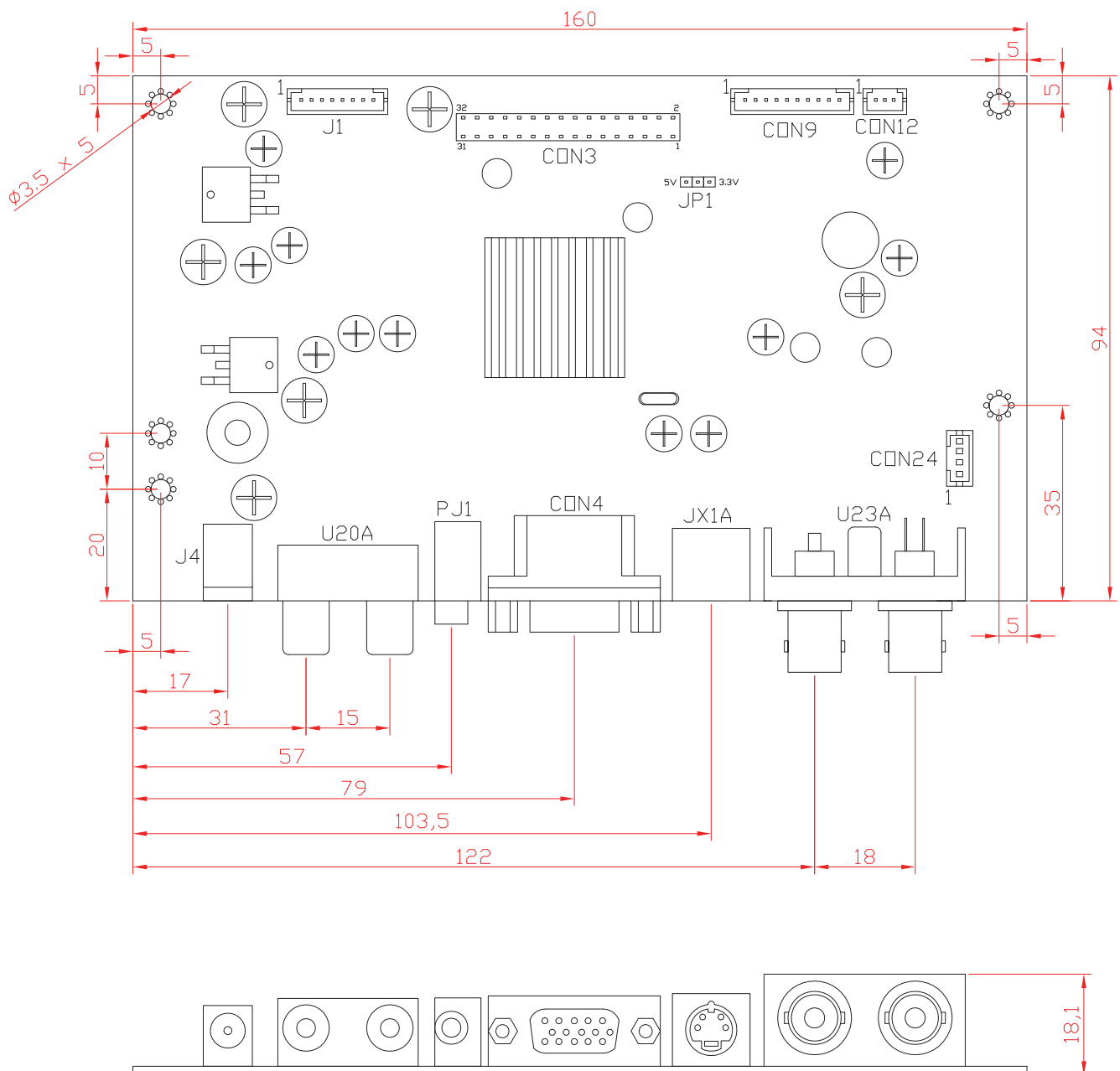
Product Specification

4. Mechanical Structure

PCB Length: 190mm

PCB Width: 94mm

PCB Depth + the height of the highest part: 18.1mm



5. Interface List

Reference	Function	Note
J4	DC 12V Power Jack	2.5 ϕ
U20A	Audio input (L & R)	RCA x 2
PJ1	PC Audio Line-in Jack	3.5 ϕ
CON4	D-sub Connector	D-15 Pin
JX1A	S-Video Connector	
U23A	Video(input & output) Connector	BNC x 2

Reference	Function	Note
J1	Inverter Connector	PHR-8 (2.0mm)
CON3	LVDS Connector	Dupont 2x16 (2.0mm)
CON9	Key Board Connector	PHR-10 (2.0mm)
CON12	IR Connector	PHR-3 (2.0mm)
CON24	Speaker Connector	PHR-4 (2.0mm)
JP1	Panel Vcc selector	Dupont 3 Pin (2.54mm)

Product Specification

5.1 Definition of main interface

J1: Inverter Connector PHR-8 (2.0mm)

Pin	Function	Note
1	12V	
2,4,6	GND	
3	Brightness	PWM 0-100%
5	ON/OFF	5V ON ; 0V OFF
7,8	5V	

CON3:Panel Connector Dupont 2x16 (2.0mm)

Pin	Function
1	VDD
2	VDD
3	VDD
4	VDD
5	GND
6	GND
7	GND
8	GND
9	RXEIN3-
10	RXEIN3+
11	RXECLKIN-
12	RXECLKIN+
13	RXEIN2-
14	RXEIN2+
15	RXEIN1-
16	RXEIN1+
17	RXEIN0-
18	RXEIN0+
19	GND
20	GND
21	RXOIN3-
22	RXOIN3+
23	RXOCLKIN-
24	RXOCLKIN+
25	RXOIN2-
26	RXOIN2+
27	RXOIN1-
28	RXOIN1+
29	RXOIN0-
30	RXOIN0+
31	GND
32	GND

Product Specification

CON9: Key Board PHR-10 (2.0mm)

Pin	Function	Note
1	+	
2	-	
3	Auto	
4	Menu	
5	Power	
6	LED-G	
7	LED-R	
8	GND	
9	N.C.	
10	N.C.	

CON12: IR Connector PHR-3 (2.0mm)

Pin	Function	Note
1	5V	
2	IR-Data	
3	GND	

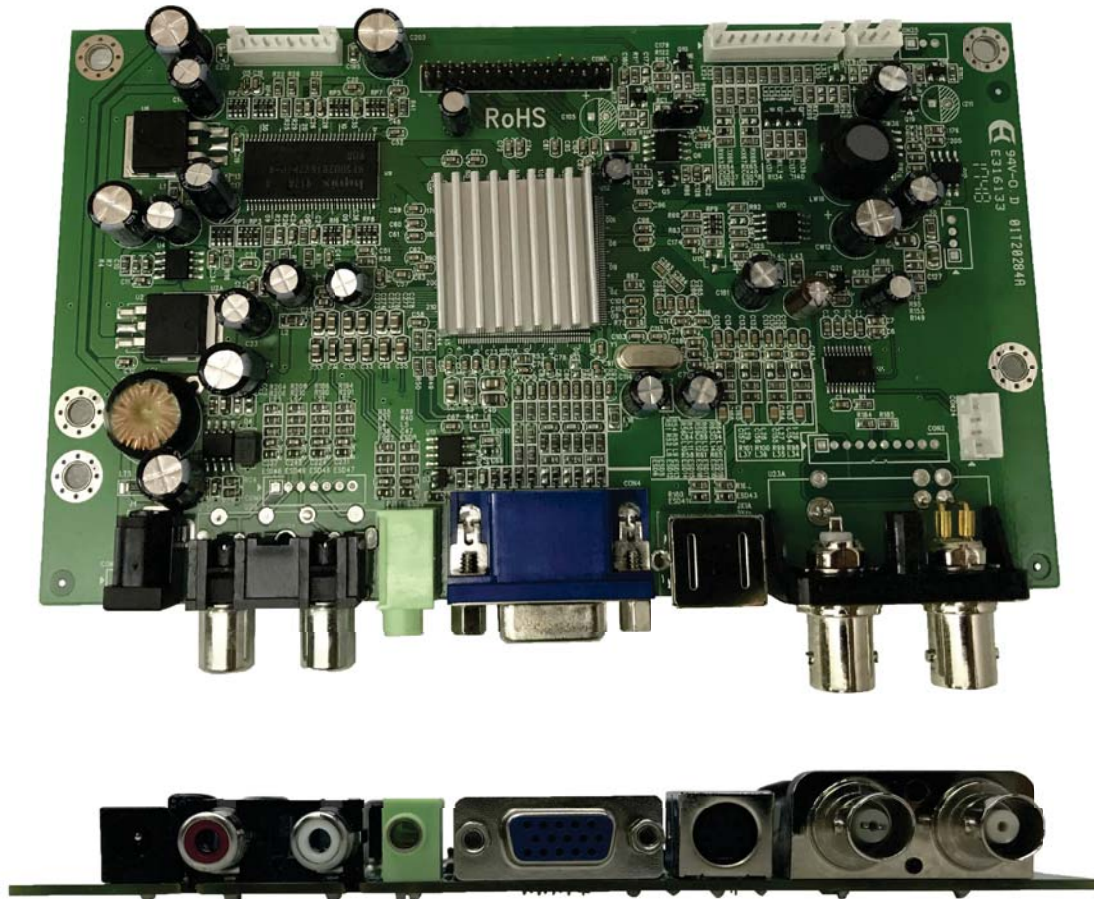
CON24: Audio Speaker Connector PHR-4 (2.0mm)

Pin	Function	Note
1	Lout-	
2	Lout+	
3	Rout-	
4	Rout+	

JP1 Panel VCC select

5V 3.3V

6. Photo



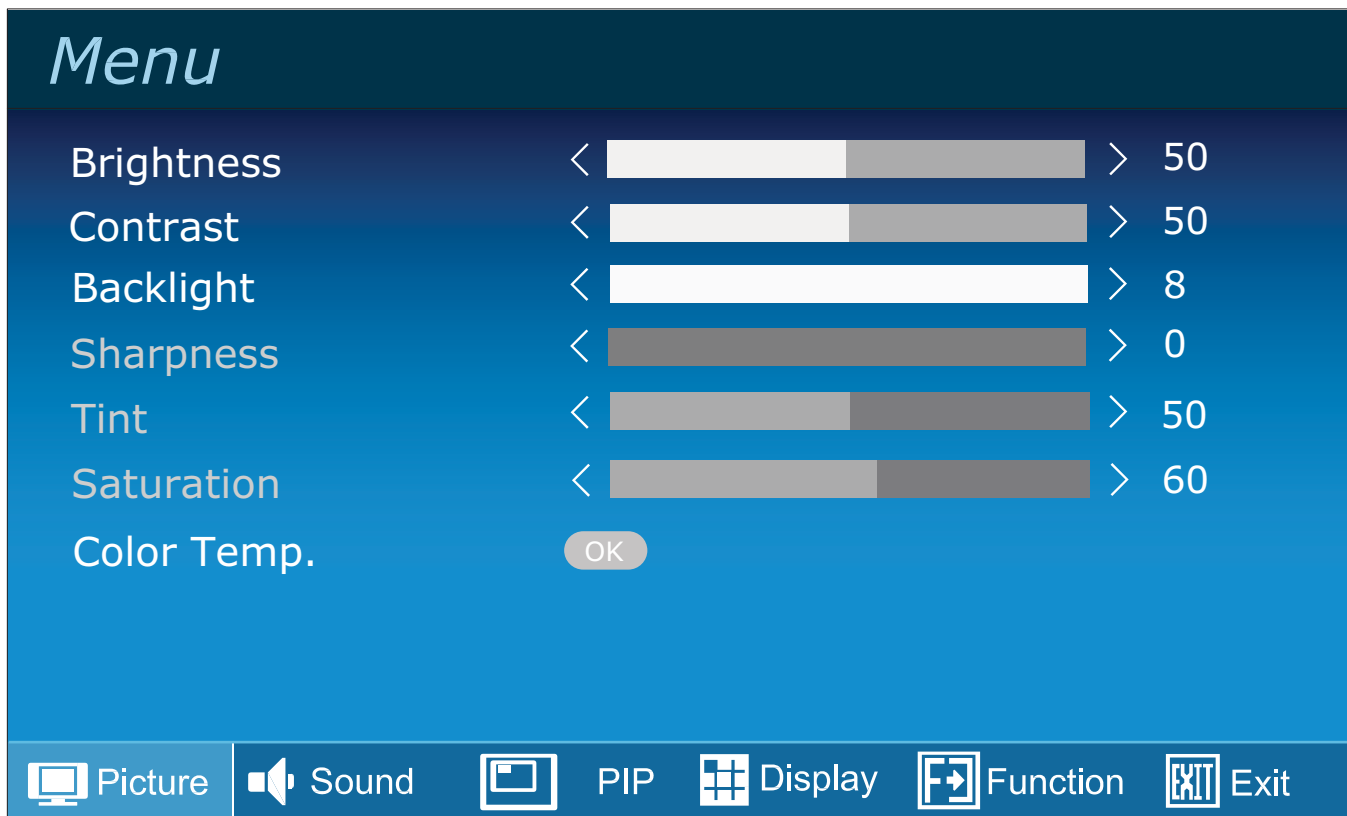
Product Specification

7. Setup for Operation

The OSD (On Screen Display) menu enables user to manipulate the image and settings OSD Main menu consists of source:

OSD MENU		Description
Picture	Brightness	Adjust the Brightness of the screen.
	Contrast	Adjust the Contrast of the screen.
	Backlight	Adjust the Backlight of the screen.
	Sharpness	Default value.
	Tint	Default value.
	Saturation	Default value.
	Color Temp	Adjust the Color Temp of the screen.
Sound	Sound Mode	Set Sound Mode to "User" or "Standard".
	Bass	Adjust the Bass.
	Treble	Adjust the Treble.
	Balance	Adjust the Balance.
	Speaker Enhance	Set Speaker Enhance to "On" or "Off".
PIP	Sub Source	Set Sub Source to "AV1" or "S-Video".
	Sub Size	Set Sub Size to Off/Small/Medium/Large/PBP
	Swap	
	Sub Position	Set Sub Position to 1/2/3/4/5
Display	H.Position	Adjust the horizontal position.
	V.Position	Adjust the vertical position.
	Image Ratio	Set Image Ratio to 4:3 or 16:9.
	Image Optimize	Set Image Optimize to Auto color.
	Phase	Adjust the Phase.
	Clock	Adjust the Clock.
	Auto Adjust	
Function	Language	Set Language to English/Francais/Deutsch/Italiano/ Espanol/中文/Русский
	OSD Time	Adjust the OSD Time.
	OSD Blend	Adjust the OSD Blend.
	Sleep Time	Set Sleep Time to Off or 10/20/30/60/90/120/150/180 Min.
	Anti Burn-In	Default value.
	ID	
	Default	
Exit		

7.1 OSD Menu



Picture

Press "+" to increase or "-" to decrease the Backlight, Brightness or Contrast.

- **Brightness**

Adjust the brightness of the screen.

- **Contrast**

Adjust the contrast of the screen.

- **Backlight**

Adjust the Backlight of the screen.

- **Sharpness**

Default value.

- **Tint**

Default value.

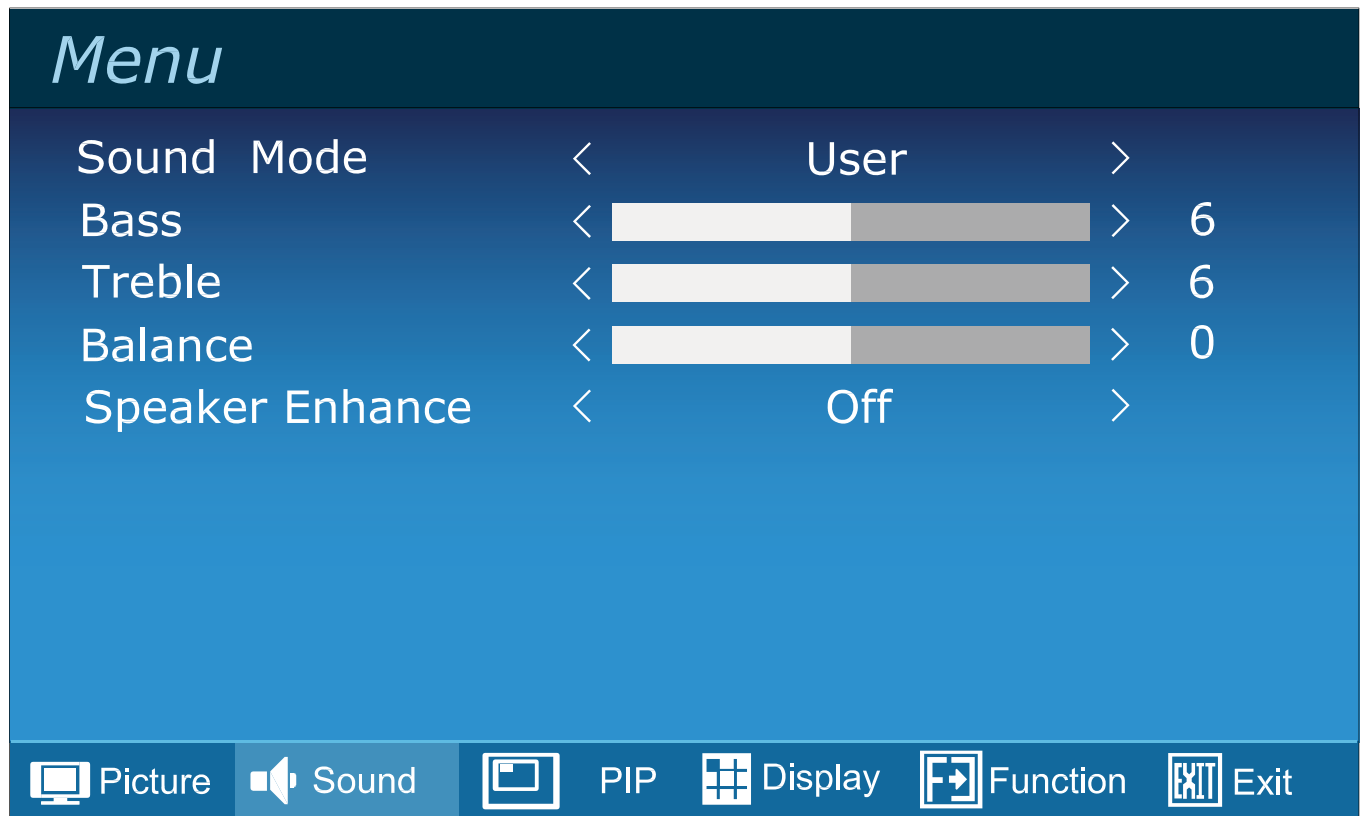
- **Saturation**

Default value.

- **Color Temp.**

Adjust the color temp of the screen. Set color to User , Standard , Cold , Warm

You can select the screen's color level of the white color field from the default color temperature settings. Also, you can fine tune the color temperature by USER option if necessary.



Sound

- **Sound Mode**

Set Sound Mode to "User" or "Standard"

- **Bass**

Adjust the Bass.

- **Treble**

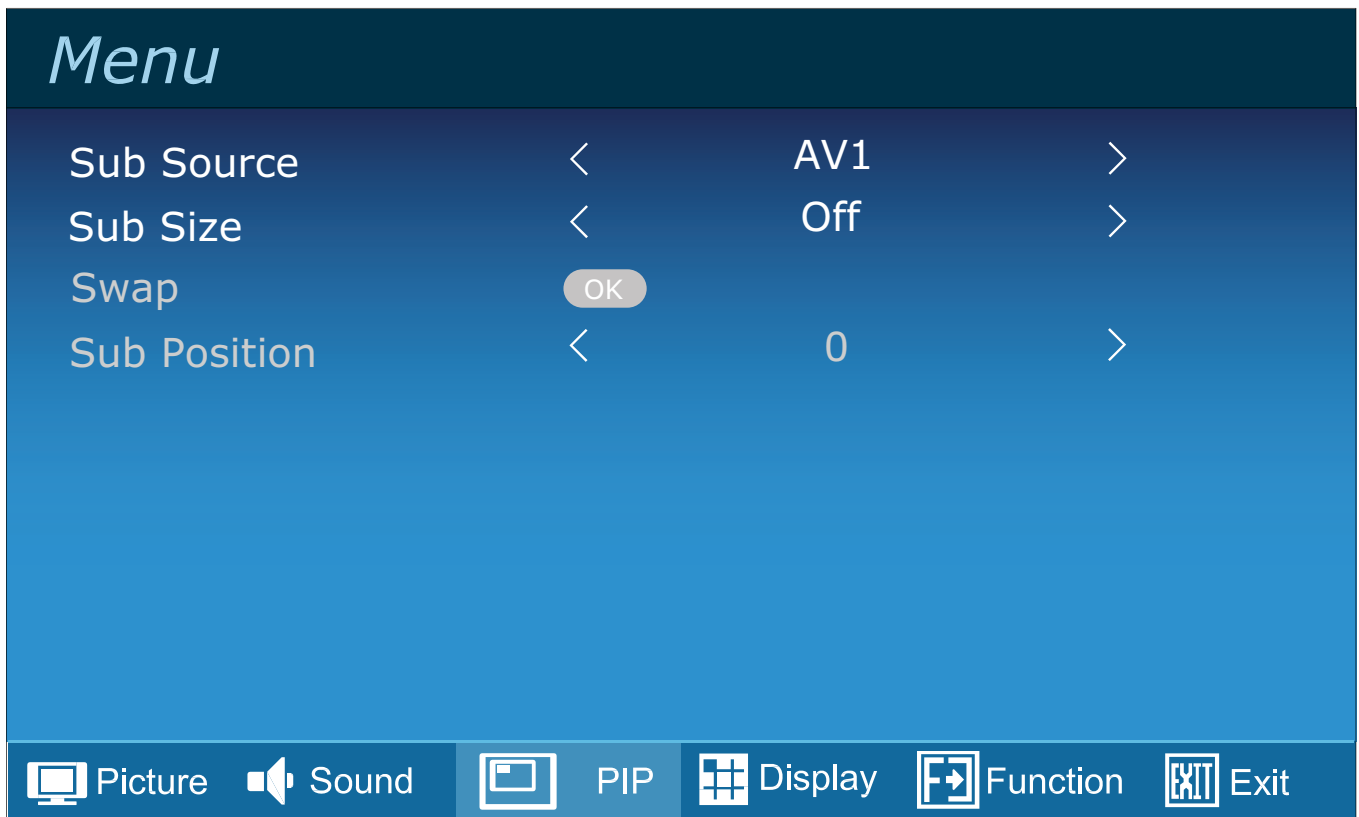
Adjust the Treble.

- **Balance**

Adjust the Balance.

- **Speaker Enhance**

Set Speaker Enhance to "On" or "Off"



PIP

- **Sub Source**

Set Sub Source to "AV1" or "S-Video1"

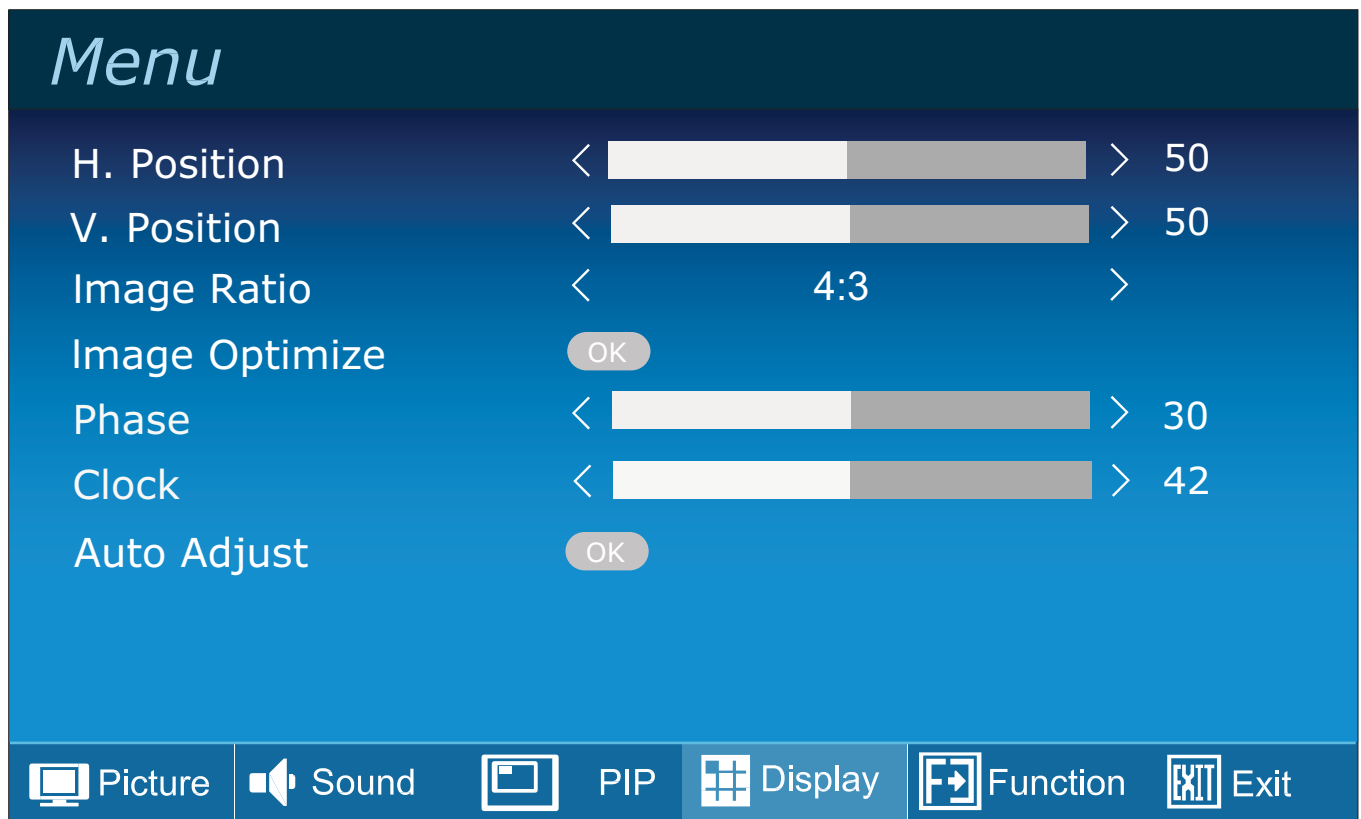
- **Sub Size**

Set Sub Size to Off / Small / Medium / Large / PBP

- **Swap**

- **Sub Position**

Set Sub Position to 1 / 2 / 3 / 4 / 5



Display

- **H. Position**

Adjust the horizontal position.

- **V. Position**

Adjust the vertical position.

- **Image Ratio**

Set Image Ratio to 4:3 or 16:9

- **Image Optimize**

Set Image Optimize to Auto color.

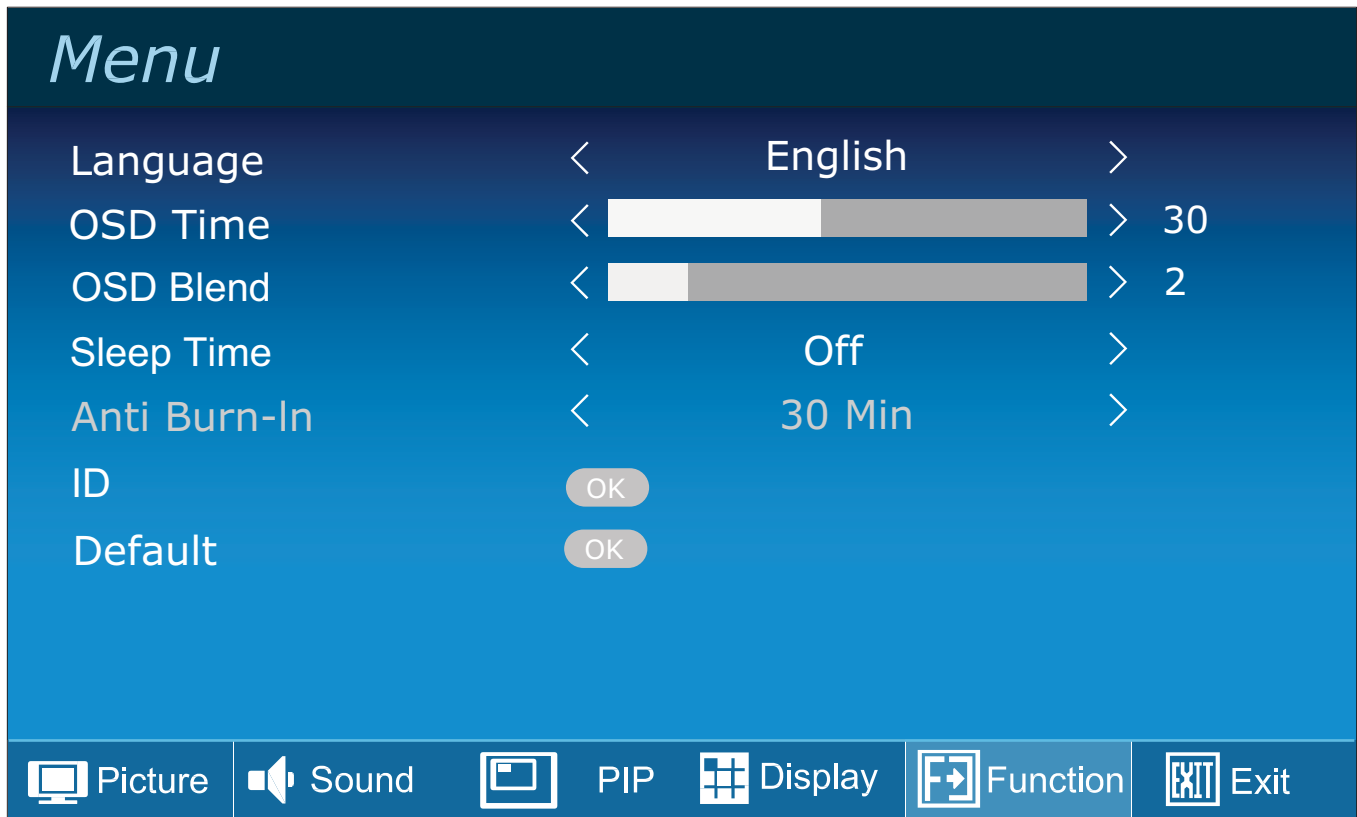
- **Phase**

Adjust the Phase.

- **Clock**

Adjust the Clock.

- **Auto Adjust**



Function

- **Language**

Set Language to English/Francais/Deutsch/Italiano/Espanol/中文/Русский.

- **OSD Time**

Adjust the OSD Time.

- **OSD Blend**

Adjust the OSD Blend.

- **Sleep Time**

Set Sleep Time to Off or 10/20/30/60/90/120/150/180 Min.

- **Anti Burn-In**

Default value.

- **ID**

- **Default**

Menu

 Picture  Sound  PIP  Display  Function  Exit

 **Exit**