

DEV10VR2

DRIVER'S VISION ENHANCER - RS170 & RGB INPUTS



The DEV10VR2 is an advanced Driver's Vision Enhancer (DEV) display engineered to operate in military tactical wheeled and tracked-vehicles operations. The DEV10VR2 is designed with a programmable button interface for ASCII or HEX code (via RS232) protocol for control of external systems.

STANDARD FEATURES:

- (2) RGB Inputs
- (12) Programmable Tactile Buttons (operates with both RGB Inputs)
- (1) RS170 Aux. Input
- (1) Digital Interface Input
- (1) DVE Sensor Input
- (1) RS170 Aux. Output
- SVGA Resolution (800x600)
- MIL-C Connectors*
- LED Backlight (3000:1 Dimming Ratio)
- Anti-Reflective and Anti-Glare Treatments
- Enhanced Sunlight Readability
- 10.4" TFT AM LCD
- Mounts in Standard A-Kits

OPTIONAL FEATURES:

- Analog (RS232) Resistive Touch Screen (operates with both RGB Inputs)
- XGA Resolution (1024x768)
- NVIS MIL-STD-3009 Red/Green Compatible



* - Please note cables not included.



i-Tech Company LLC

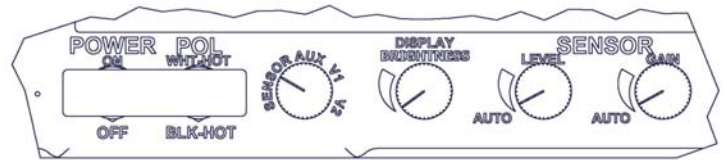
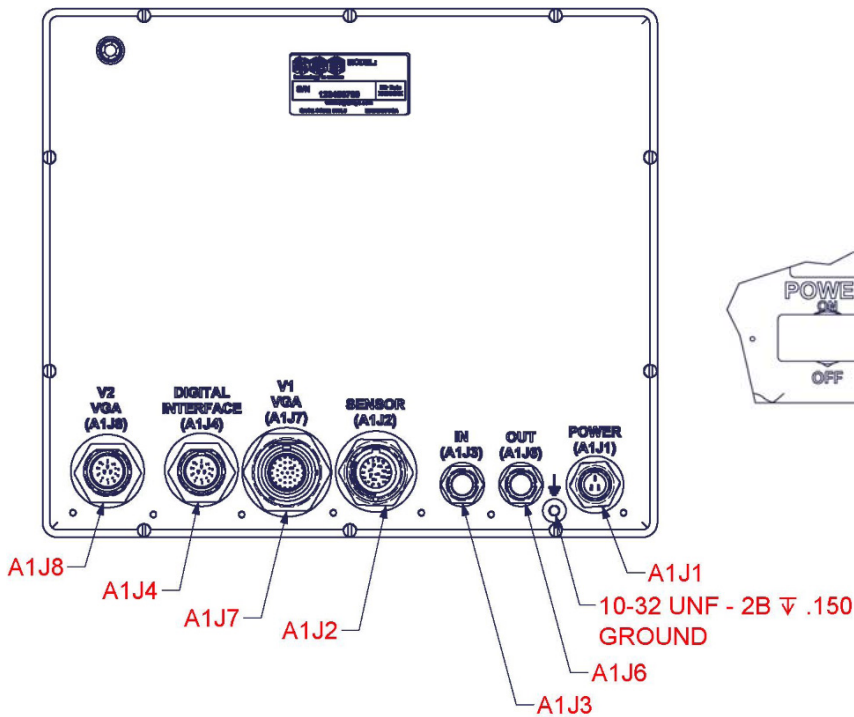
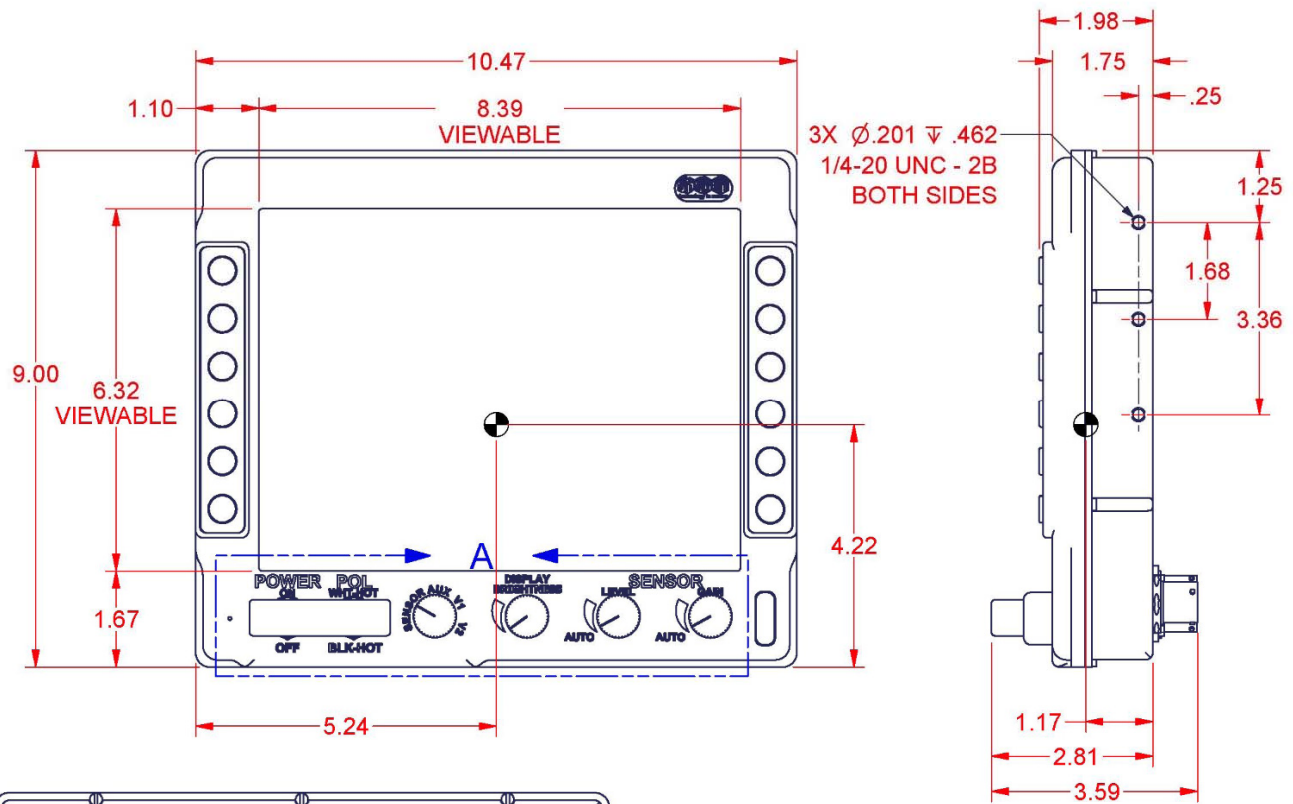
TOLL FREE: (888) 483-2418 • EMAIL: info@iTechLCD.com • WEB: www.iTechLCD.com

Technical Specifications	
Display	10.4" TFT AM LCD, SVGA (800x600), 16,777,216 Colors
Nits	800 nits
Contrast Ratio	900:1
Dimming Ratio	3000:1
Viewing Angle	160° (H) x 160° (V)
Video Inputs	* (2) RGB * (2) Composite Video (RS-170)
Video Output	(1) RS-170 AUX Out
Connectors*	* MIL-C Connectors (A1J1, A1J2, A1J4, A1J7, A1J8) * BNC (A1J3, A1J6)
Housing	Milled AL, Black Hard Anodized
Mounting	Standard A-kit; backwards compatible with legacy DVE installations
Wide Range DC Power Input†	10-36 VDC (12,24,28 VDC nominal)
Power Conditioning	Protected against Internal Short Circuit, Load Dump, Over Voltage and Reverse Polarity
Power Consumption	30 Watts Maximum
Environmental Specifications	
IP Rating	IP67 (NEMA 6 Submersible)
Operating Temperature	-40°C to 70°C (-40°F to 158°F)
Storage Temperature	-50°C to 80°C (-58°F to 176°F)
Humidity	0-100%
Altitude	45,000 ft.
Military Specifications	
MIL-STD-461	EMI
MIL-STD-810	Method 501.4 II-Op; High Temperature
MIL-STD-810	Method 502.4 II-Op; Low Temperature
MIL-STD-810	Method 514.5; Procedure I, General Vibration
MIL-STD-810	Method 516.5; Procedure I, Functional Shock
MIL-STD-3009	NVIS Compatibility (Optional)
MIL-PRF-22885	Sunlight Readability for Push Buttons
MIL-STD-1275D	Vehicle Power Requirements
MIL-A-8625 Type III (Class 1 & 2)	Standard Finish
MIL-PRF-22750F	Optional Painted Finish - Min. Qty Required
MIL-DTL-26482	Connector (Qualified)
MIL-DTL-38999	Connector (Qualified)

- Please note cables not included.

- The power range specified covers momentary environmental fluctuations generally found in a mobile environment while display is operating. For power initialization and continual operation, nominal voltages are required.

DEV10VR2



DETAIL A
USER INTERFACE BUTTONS