

DEV10

DRIVER'S VISION ENHANCER - RS170/RS422 INPUT



Providing clear and precise thermal imagery, the DEV10 can display mission-critical information under severe weather conditions (fog, sand, dust or smoke) and is backwards compatible with legacy DVE system configurations (cables, sensors and mounting), allowing for easy integration into current system installations.

STANDARD FEATURES:

- (1) Sensor Input (RS-170)
- (1) Composite AUX Video Input
- (1) Pass-through Video Sensor Output (RS-170)
- (2) RS422 Serial Data Interface
- SVGA Resolution (800x600)
- MIL-C Connectors*
- LED Backlight (3000:1 Dimming Ratio)
- Anti-Reflective and Anti-Glare Treatments
- Enhanced Sunlight Readability
- 10.4" TFT AM LCD
- Mounts in Standard A-Kits



* - Please note cables not included.



i-Tech Company LLC

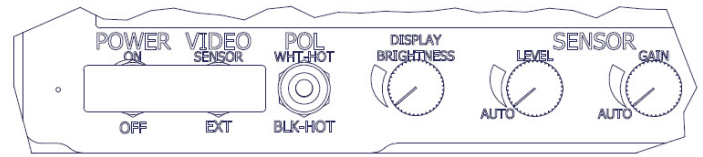
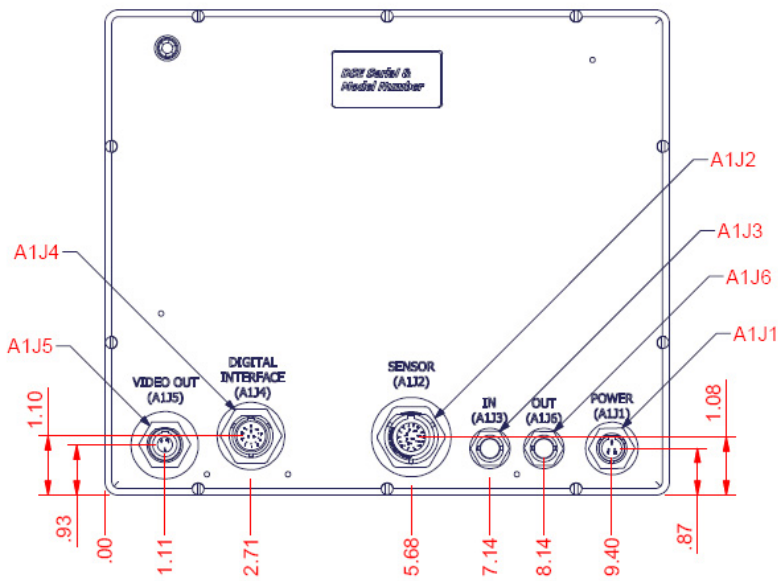
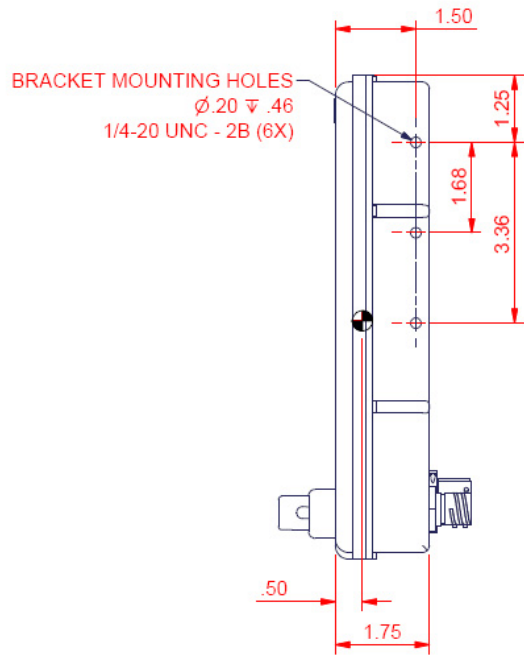
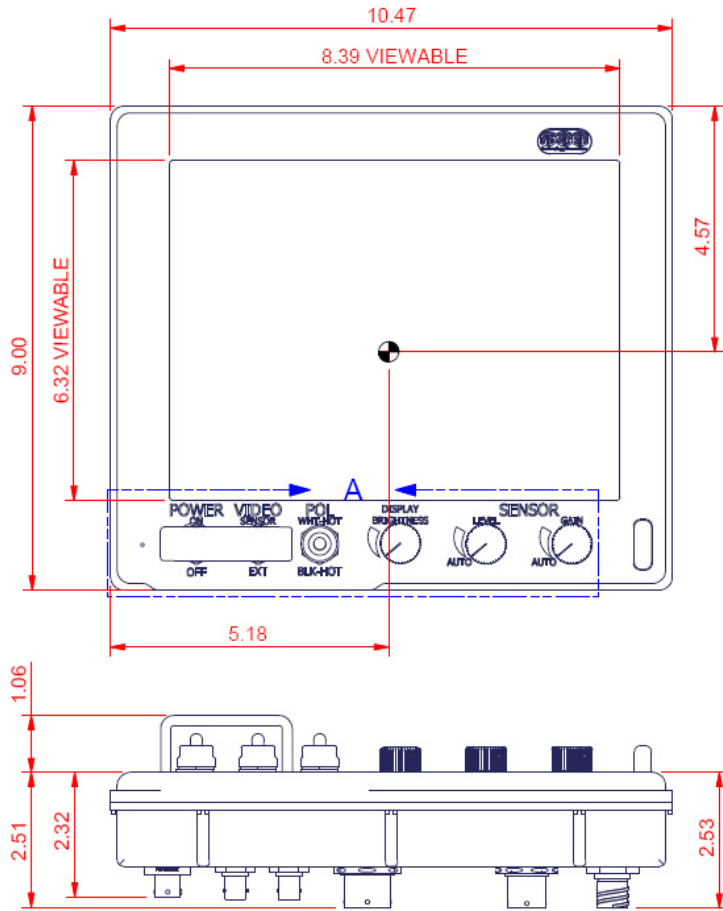
TOLL FREE: (888) 483-2418 • EMAIL: info@iTechLCD.com • WEB: www.iTechLCD.com

Technical Specifications	
Display	10.4" TFT AM LCD, SVGA (800x600), 16,777,216 Colors
Nits	800 nits
Contrast Ratio	900:1
Dimming Ratio	3000:1
Viewing Angle	160° (H) x 160° (V)
Video Inputs	(2) RS-170
Connectors*	* MIL-C Connectors (A1J1, A1J2, A1J3, A1J5) * BNC (A1J3, A1J6)
Housing	Milled AL, Black Hard Anodized
Mounting	Standard A-kit; backwards compatible with legacy DVE installations
Wide Range DC Power Input†	10-36 VDC (12,24,28 VDC nominal)
Power Conditioning	Protected against Internal Short Circuit, Load Dump, Over Voltage and Reverse Polarity
Power Consumption	30 Watts Maximum
Environmental Specifications	
IP Rating	IP67 (NEMA 6 Submersible)
Operating Temperature	-40°C to 70°C (-40°F to 158°F)
Storage Temperature	-50°C to 80°C (-58°F to 176°F)
Humidity	0-100%
Altitude	45,000 ft.
Military Specifications	
MIL-STD-461	EMI
MIL-STD-810	Method 501.4 II-Op; High Temperature
MIL-STD-810	Method 502.4 II-Op; Low Temperature
MIL-STD-810	Method 514.5; Procedure I, General Vibration
MIL-STD-810	Method 516.5; Procedure I, Functional Shock
MIL-STD-1275D	Vehicle Power Requirements
MIL-A-8625 Type III (Class 1 & 2)	Standard Finish
MIL-PRF-22750F	Optional Painted Finish - Min. Qty Required
MIL-DTL-26482	Connector (Qualified)
MIL-DTL-38999	Connector (Qualified)

- Please note cables not included.

- The power range specified covers momentary environmental fluctuations

generally found in a mobile environment while display is operating. For power initialization and continual operation, nominal voltages are required.



DETAIL A
USER INTERFACE