

Rugged IP65 Touch PANEL PC

17" 1280x1024 TFT LCD Panel with Touch Screen

TEMP - Operating: -20°C ~ 65°C / Storage: -30°C ~ 80°C

VIBRATION - Operating: 1G, 5-500Hz / Non-operating: 1.5G, 5-25Hz / IEC 68-2-64 compliant

SHOCK - Operating: 3G peak acceleration (11 msec. duration)

Non-operating: 10G peak acceleration (11 msec. duration)
IEC 68-2-27 compliant



Model: XOPC1700

FEATURES

- 3rd Generation Intel® Core™ processors
- 2nd Generation Intel® Core™ processors
- Intel® H61 Express chipset
- 17" 1280x1024 TFT LCD Panel with Touch Screen
- IP65 front panel protection
- 1 2.5" SATA drive bay
- 2 USB 2.0 at the front panel for easy access
- 5 function keys at the front panel
- Built-in antenna for optional Wi-Fi
- VESA/Wall/Panel Mount

SYSTEM SPECS

PROCESSOR SYSTEM

- Processors:
 - 3rd generation Intel® Core™ processors
 - 2nd generation Intel® Core™ processors
- Supports up to 77W TDP

MEMORY

- Intel H61 Express chipset
- Two DDR3 1333/1600MHz SODIMM sockets (3rd generation processors)
- Two DDR3 1066/1333MHz SODIMM sockets (2nd generation processors)
- Supports up to 16GB system memory

LCD and TOUCH SCREEN

- 17" 1280x1024 TFT LCD panel with touch screen
- Supports 5-wire Resistive Touch or 3M Surface Capacitive Touch
- 50,000 MTBF LED backlight
- Brightness (cd/m²): 380

GRAPHICS

- Intel® HD Graphics
- Display ports: HDMI and DVI-I
- HDMI and DVI-I display resolution up to 1920x1200

STORAGE

- 1 2.5" SATA drive bay
- 1 optical drive bay (optional)

ETHERNET

- 1 Intel W82579LM Gigabit Ethernet Controllers
- 1 Intel W82574L Gigabit Ethernet Controllers

AUDIO

- Realtek ALC886 5.1-channel High Definition Audio

COM

- Two 3W speakers
- 1 RS232/422/485 COM port
- 1 RS232 COM port

USB

- 2 Type A USB 2.0/1.1 ports at the front panel
- 4 Type A USB 2.0/1.1 ports at the bottom

I/O

- **Front**
 - 2 Type A USB 2.0/1.1 ports / 5 function keys / 3 LED indicators: Power, HDD, Alarm / 1 built-in antenna
- **Bottom**
 - 1 DB-9 RS232/422/485 COM / 1 DB-9 RS232 COM / 1 PS/2 keyboard / 1 PS/2 mouse / 4 Type A USB 2.0/1.1 / 3 audio jacks: Mic-in, Line-in, Line-out / 2 RJ45 LAN with LEDs / 1 DVI-I / 1 HDMI / 1 power switch

EXPANSION

- 1 PCIe x1 / 1 PCI / 1 Mini PCIe

POWER

- Power type - ATX
- Power input voltage - AC 100-240V, 3.5A, 250W

COOLING SYSTEM

- Smart fan system control suitable for quiet environments

ENVIRONMENT

- Temperature
 - Operating: -10°C ~ 50°C
 - Storage: -20°C ~ 60°C
- Relative Humidity
 - 90% RH at 65°C, 1 week
- Corrosion
 - 4 periods of 7 days at 50°C with 90-95% relative humidity after 2

VIBRATION

- hours salt spray or waiver
- Operating: 1G, 5-500Hz
- Non-operating: 1.5G, 5-25Hz
- IEC 68-2-64 compliant

SHOCK

- Operating: 3G peak acceleration (11 msec. duration)
- Non-operating: 10G peak acceleration (11 msec. duration)
- IEC 68-2-27 compliant

FRONT PANEL PROTECTION

CONSTRUCTION

- IP65 (Dust Tight; Water Proof protection)

MOUNTING

- Aluminum front bezel (Stainless steel: option)
- Rear panel: sheet metal
- VESA mount: 75x75 and 100x100
- Wall mount bracket (option)
- Panel mount: mounting clamp (option)

DIMENSIONS

WEIGHT

OS SUPPORT

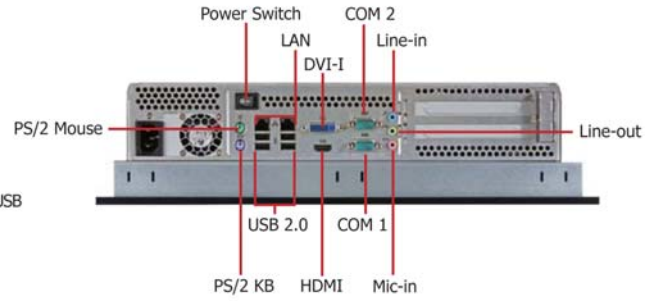
- 443mm x 363mm x 106mm (W x H x D)
- 11.4 kg
- Windows XP Pro (WES2009)
- Windows Vista
- Windows 7 (WS7P)
- Windows 8 and Windows 8 Embedded Q4 2012
- Linux Ubuntu 13
- CE / FCC Class A / UL

CERTIFICATION

PANEL

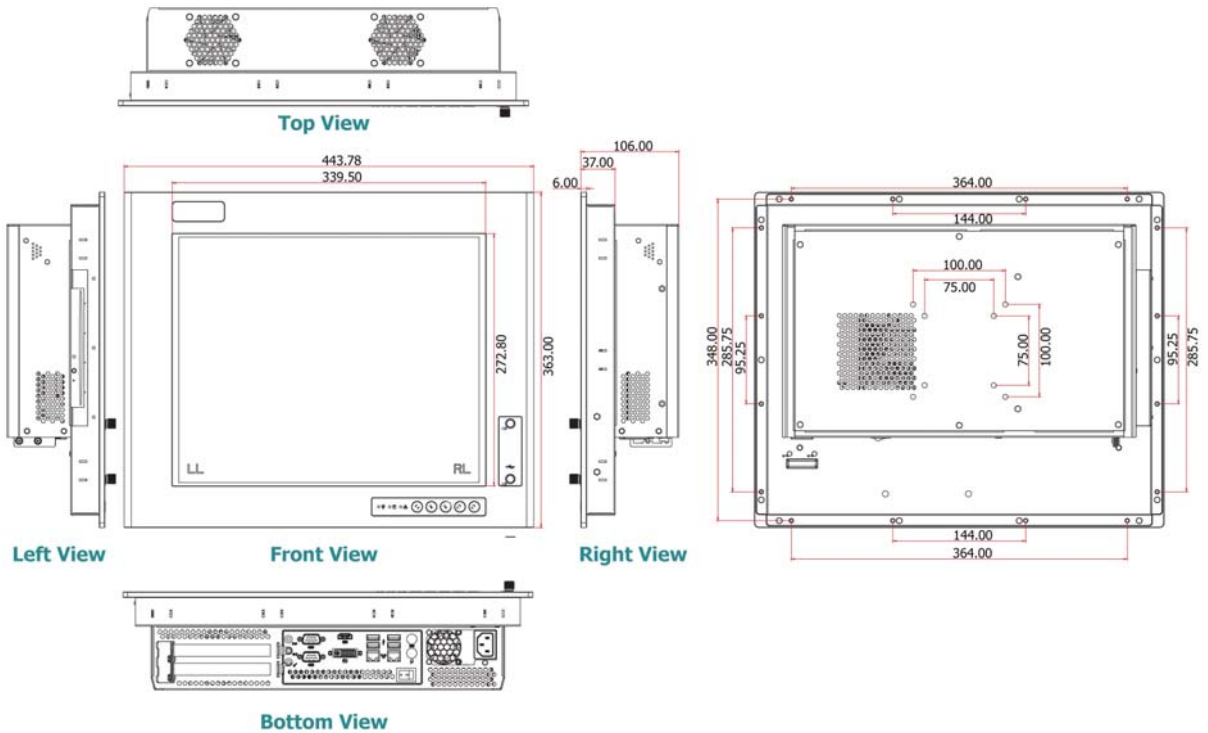


Front View



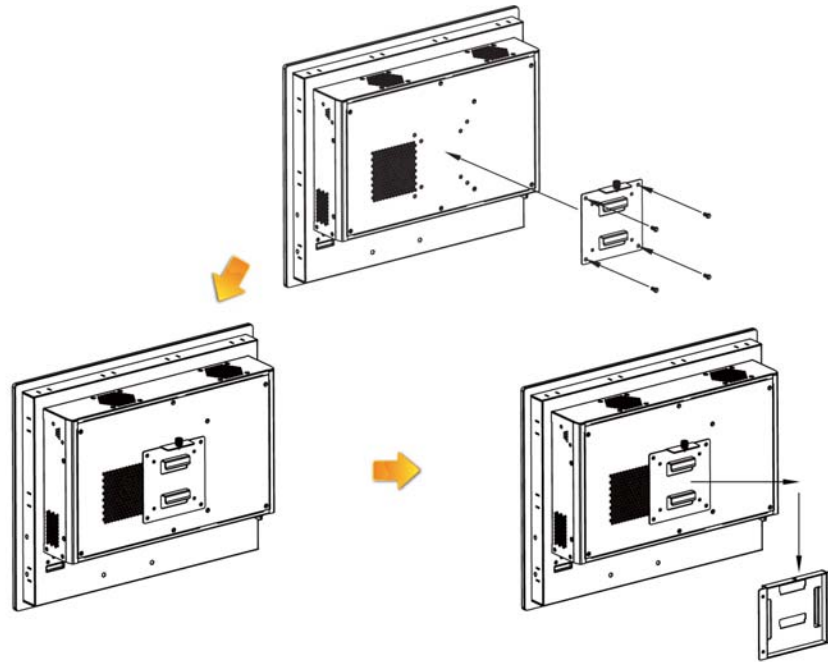
Bottom View

DIMENSION

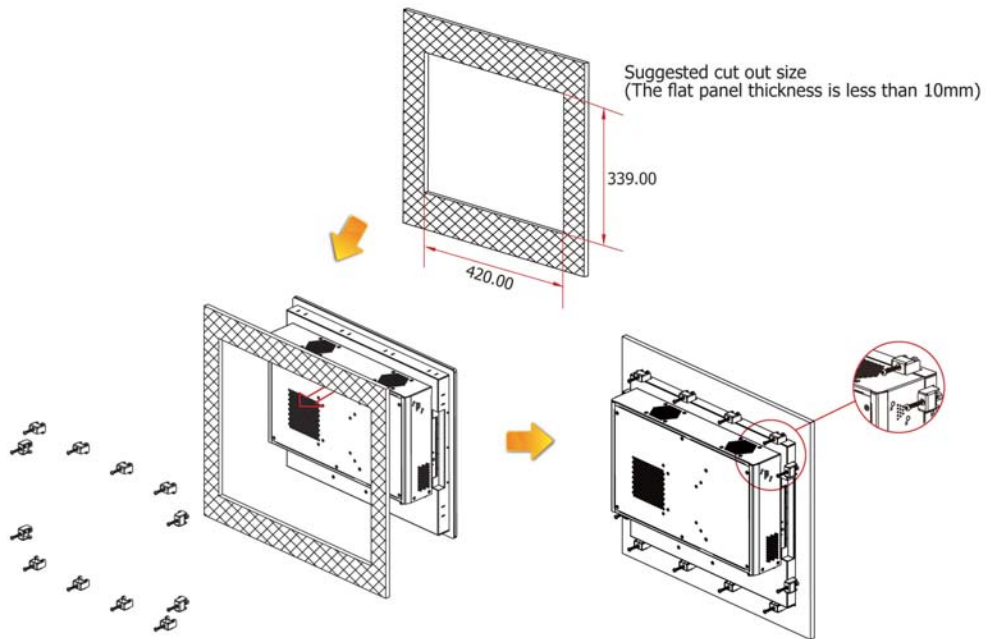


MOUNTING

Wall Mounting



Panel Mounting



PACKING LIST

- 1 XOPC1700 Touch Panel PC
- 1 Quick Installation Guide
- 1 CD disk includes: - Drivers / Manual