

Rugged Military LCD

Rugged Mil Spec Monitor 10.4" LCD Monitor (3) Composite Video Input, (1) Composite Video Output, 800nits, 800 x 600, sealed to IP67 /NEMA 6 Standard, (8-36 VDC), -30°C to 80°C (-22°F to 176°F). External cables are not included, (Pin out will be provided)

Model: DMM1040V



On today's digital battlefield, rugged hardware must be designed to operate in any environment. iTech designs and manufactures highly reliable military COTS displays that meet and exceed key military specifications including MIL-STD-461, MIL-STD-810 and MIL-STD-1275.

Standard Features

- (1) Analog RGB Video Input
- SVGA Resolution (800x600)
- Auto Scaling VGA to UXGA
- MIL-C Connectors*
- LED Backlight (3000:1 Dimming Ratio)
- Anti-Reflective and Anti-Glare Treatments
- Enhanced Sunlight Readability
- IP67/NEMA 6 Enclosure
- Tactile Buttons
- 6.5", 8.4", 10.4", 12.1" and 15.0" TFT AM LCD
- MIL-STD-461 Compliant
- MIL-STD-810 Compliant

Optional Features

- Analog Resistive Touch Screen
- XGA Display Resolution (1024x768)
- NVIS MIL-STD-3009 Red/Green Compatible



* - Please note cables not included.

Standard



Panel Mount



RAM Mount



Flush Mount



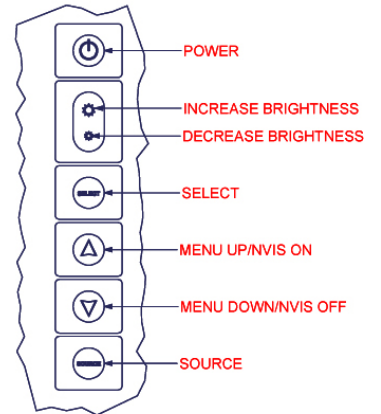
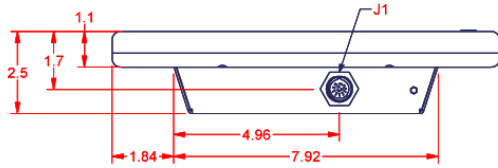
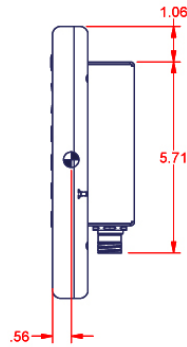
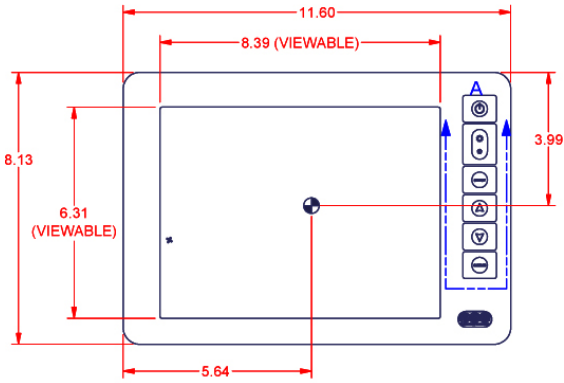
RACK Mount



Specifications

LCD Size	Resolution	Nits	Viewing Angle	Contrast Ratio	Maximum Power Consumption
10.4" TFT AM LCD	SVGA (800x600)	800 nits	160° (H) x 160° (V)	900:1	20 Watts
Technical Specifications					
Display	8-bit color, 16,777,216 colors				
Dimming Ratio	3000:1				
Video Input	DVI				
Connectors*	MIL-C Connectors				
Housing	Milled AL, Black Hard Anodized				
Mounting	Flush, Panel, Rack or RAM Mount				
Wide Range DC Power Input	10-36 VDC (12,24,28 VDC nominal)				
Power Conditioning	Protected against Internal Short Circuit, Load Dump, Over Voltage and Reverse Polarity				
Environmental Specifications					
IP Rating	IP67 (NEMA 6 Submersible)				
Operating Temperature	-40°C to 70°C (-40°F to 158°F)				
Storage Temperature	-50°C to 80°C (-58°F to 176°F)				
Humidity	0-100%				
Altitude	45,000 ft.				
Military Specifications					
MIL-STD-461	EMI				
MIL-STD-810	Method 501.4 II-Op; High Temperature				
MIL-STD-810	Method 502.4 II-Op; Low Temperature				
MIL-STD-810	Method 514.5; Procedure I, General Vibration				
MIL-STD-810	Method 516.5; Procedure I, Functional Shock				
MIL-STD-1275D	Vehicle Power Requirements				
MIL-STD-3009	Optional NVIS Compatibility				
MIL-PRF-22885	Sunlight Readability for Push Buttons				
MIL-A-8625 Type III (Class 1 & 2)	Standard Finish				
MIL-PRF-22750F	Optional Painted Finish - Min. Qty Required				
MIL-DTL-26482	Connector (Qualified)				
MIL-DTL-38999	Connector (Qualified)				

Mechanical Drawings



DETAIL A
USER INTERFACE BUTTONS

