

DP-860

Compact Size with Integrated HulaPoint II™

The small footprint DP-860 is built for versatility and convenience. It features 84-key functionality and an integrated HulaPoint II™, an upgraded pointing device that offers improved sensitivity and increased durability. Constructed with a sealed, industrial silicone keypad and designed to meet NEMA 4X specifications, the DP-860 is ideal for mobile applications and space saving. In addition, its integrated HulaPoint II™ pointing device eliminates the need for an external mouse.



Technical Specifications

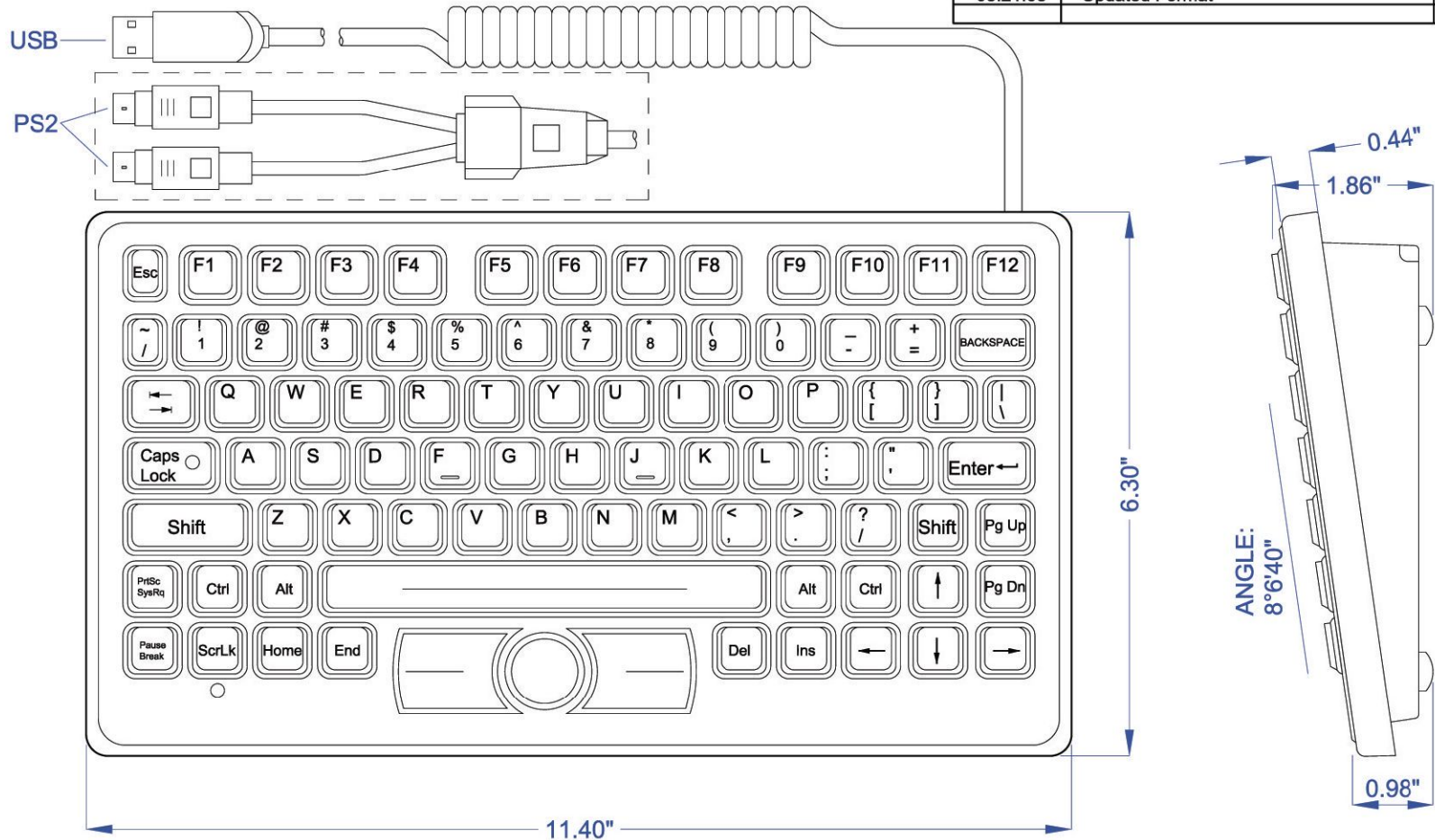
Certifications	NEMA 4X CE, UL60950, FCC Part 15 Class B
Shock	3x11 ms pulses of 50g on each of 3 axes
Cable	LENGTH: 4 ft coiled (1.2m) DESIGN: "Y" PS/2 (providing separate keyboard and mouse connections), or Single-Cable USB
Key Switch	MATERIAL: Industrial silicone rubber LIFE: 10 million cycles TRAVEL: 0.055 in. (1.4 mm) ACTUATION FORCE: 7.5 oz +/- 1.06 oz (200g +/- 20g) FEEDBACK: Tactile with mechanical snap
Vibration	POWER SPECTRAL DENSITY: 0.04g/Hz FREQUENCY RANGE: 20Hz - 2 kHz DURATION OF TEST PER AXIS: 3 hours
Power	KEYBOARD: 50mA@5V (from keyboard port) HULAPOINT: 35mA@5V (from mouse port) USB: 85mA@5V (from CPU port)
Flammability	PRINTED CIRCUIT BOARD: 94 VO SILICONE OVERLAY: 94HB INTERFACE CABLE: 94 VO
Compatibility	PS/2 KEYBOARD/HULAPOINT: All Windows Operating Systems USB KEYBOARD/HULAPOINT: All Windows and Macintosh OS
Temperature Range	STORAGE: -40C to +70C (-40F to +158F) OPERATING: -20C to +60C (+4F to +140F)
Weight	2 lbs +/- 0.10 lbs (0.91 kg +/- .05 kg)
Warranty	1 year limited warranty
Humidity	100%
Dimensions	11.40" x 6.30" x 1.86" (w-h-d) 289.56mm x 160.02mm x 47.24mm
Model Numbers	

Features and Benefits

- 12 Function Keys
- Built-In Mounting Holes
- Lightweight ABS Polycarbonate Case
- 84-Key Functionality
- Integrated HulaPoint II Pointing Device
- USB and PS/2 configurations available

DP-860

DATE	CHANGES	INTL	REV
01.11.06	Original		1.00
08.21.08	Updated Format	JB	1.00



KEY SWITCH

MATERIAL: Industrial Silicone Rubber
LIFE: Greater Than 10 Million Cycles
TRAVEL: 0.055 in.
ACTUATION FORCE: 7.05 oz. +/- 1.06oz (200g +/- 30g)
FEEDBACK: Tactile with Mechanical Snap

TEMPERATURE RANGE

STORAGE: -40°F to +158°F (-40°C to +70°C)
OPERATING: +4°F to +140°F (-20°C to +60°C)

VIBRATION

POWER SPECTRAL DENSITY: .04g/HZ
FREQUENCY RANGE: 20Hz-2Khz
DURATION OF TEST PER AXIS: 3 hours

POWER

PS2: KEYBOARD: 50mA@5V (from Keyboard port)
POINTER: 35mA@5V (from Mouse port)
USB: 85mA@5V (from CPU port)

HUMIDITY

100% Humidity Resistant

SHOCK

3 X 11 ms pulses of 50g on each of 3 axis

WEIGHT

2.00 lbs +/- 0.10 lbs (0.91 kg +/- 0.05 kg)

PROPRIETARY AND CONFIDENTIAL

SCALE: 1:2

Part Number: DP-860

Drawing Number: MKT0058

Sheet: 1 OF 2

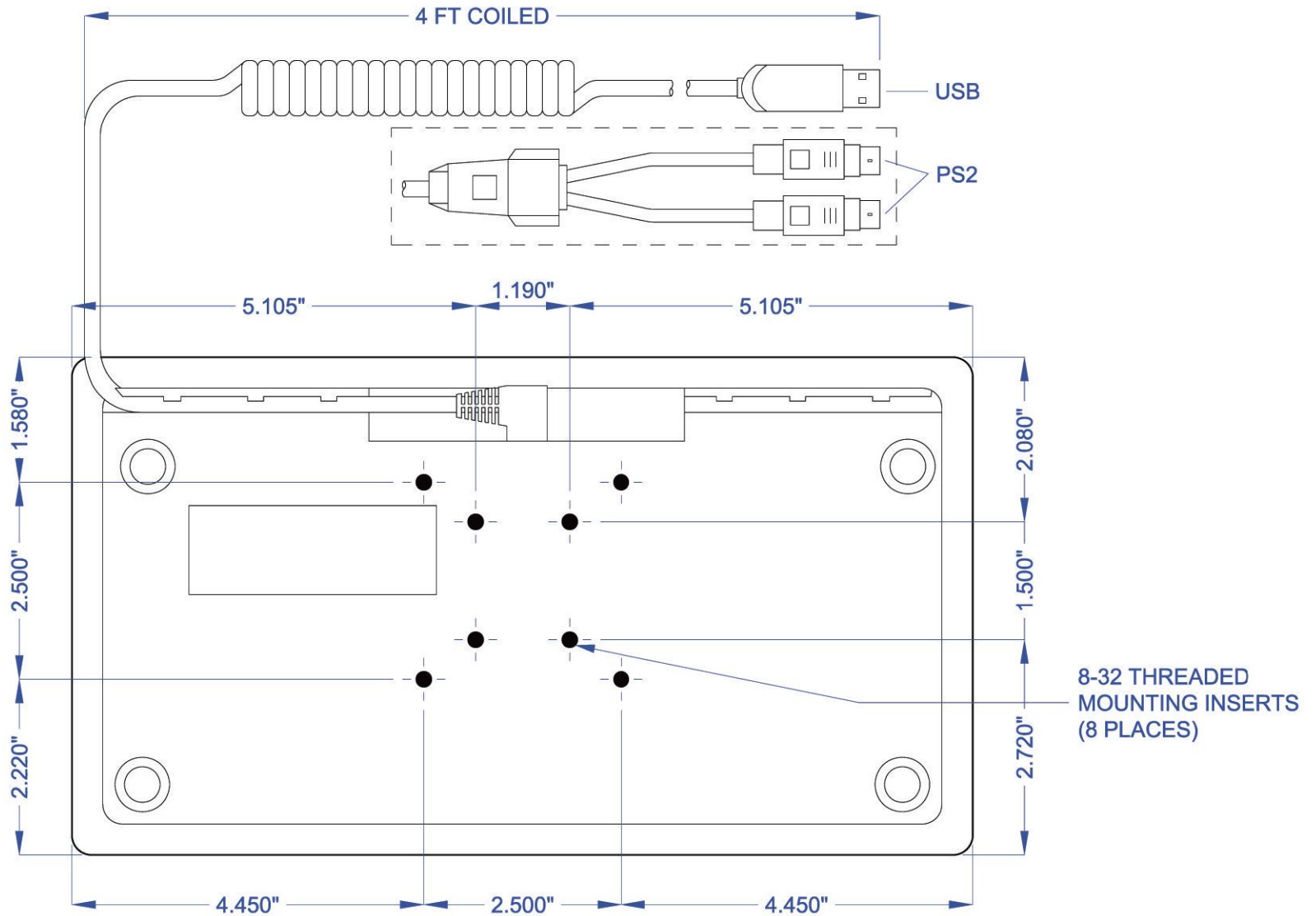
Drawing Title: DP-860-MKT

Revision: 1.00

Date: 08.21.08

JWB

DP-860 BACK/MOUNTING



ENCLOSURE CASE: ABS/Polycarbonate

PROPRIETARY AND CONFIDENTIAL

SCALE: 1:2

Part Number: DP-860

Drawing Number: MKT0058

Sheet: 2 OF 2

Drawing Title: DP-860-MKT

Revision: 1.00

Date: 08.21.08

JWB



Distributed by:

i-Tech Company LLC

TOLL FREE: (888) 483-2418 • EMAIL: info@iTechLCD.com • WEB: www.iTechLCD.com