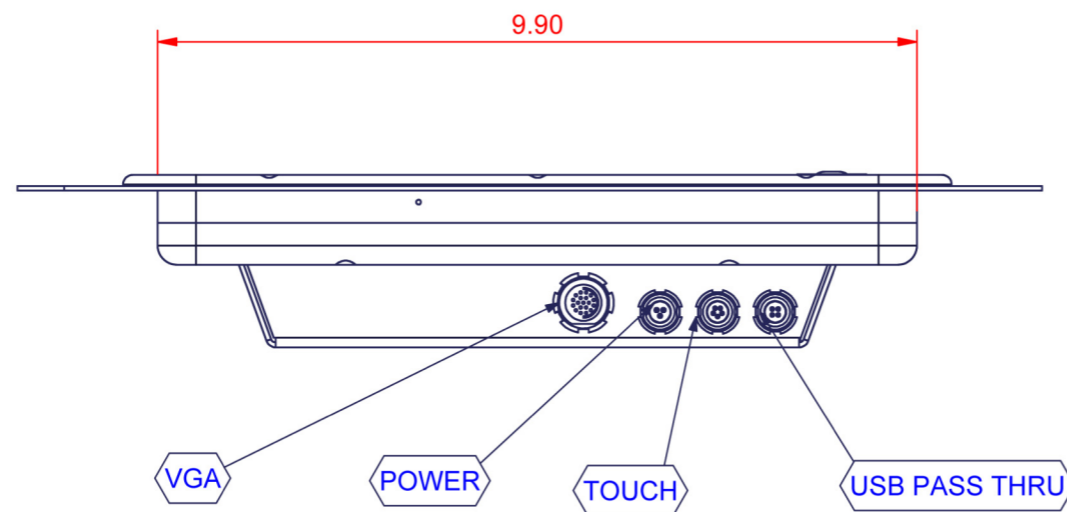


- ° Stainless mounting screws & nuts recommended.
- ° M3 or 4/40 size screws required.
- ° Sealing washers provided.



SEE CUTOUT PARAMETERS
ON FOLLOWING PAGE

