

DT-5K-MSHA

MSHA Approved Keyboard with Integrated HulaPoint™

The DT-5K-MSHA combines HulaPoint™, an upgraded pointing device that offers improved sensitivity and increased durability, with a 10-key numeric keypad in a ruggedized stainless steel case, providing dual functionality in one compact unit. Its 20 function keys provide user versatility. This keyboard also offers user Windows keys for ease of access to the operating system.

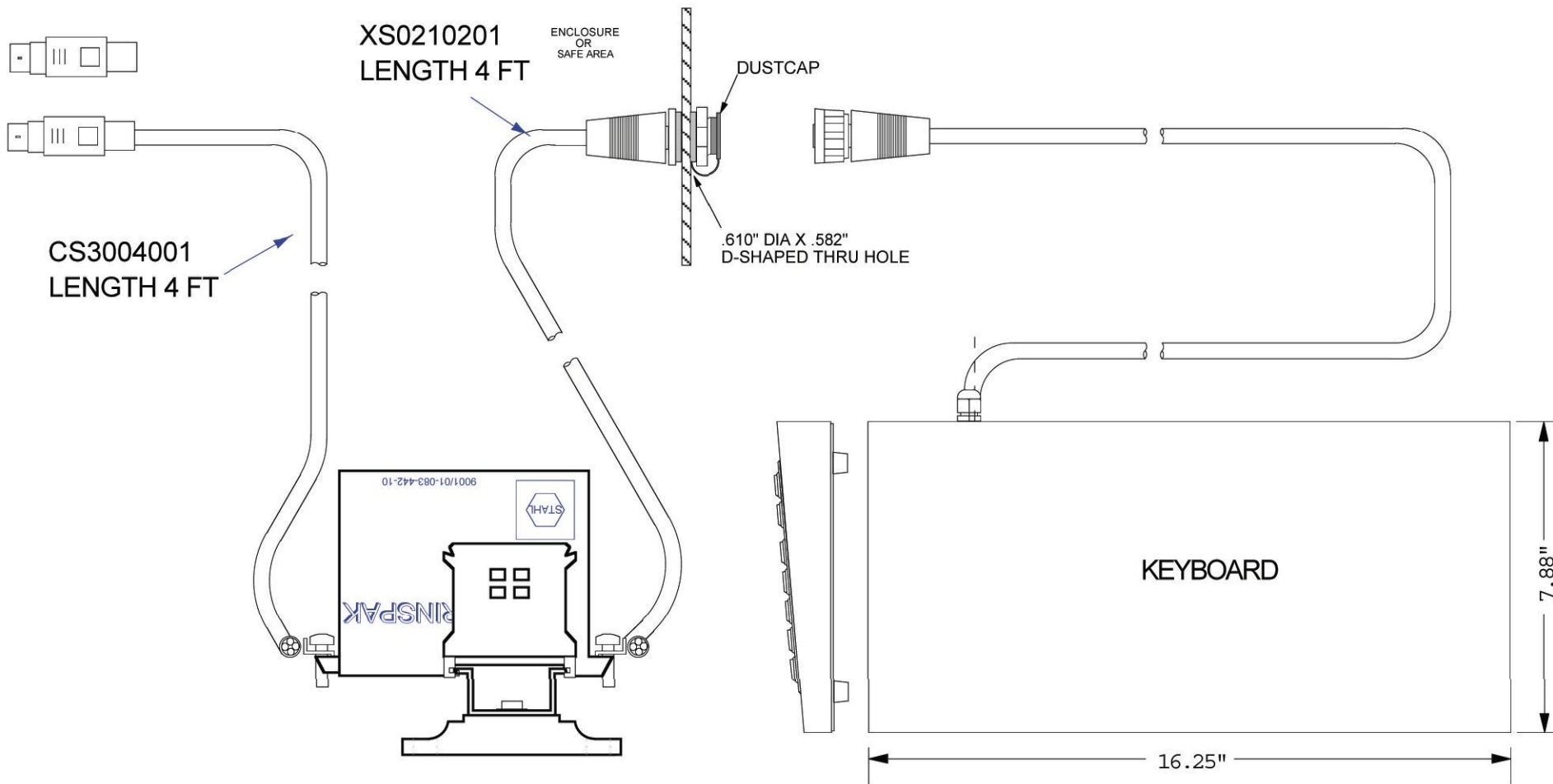


Technical Specifications

Certifications	NEMA 4X UL60950, FCC Part 15 Class B, MSHA approval number ia18756
Shock	3 x 11 ms pulses of 50g on each of 3 axes
Cable	LENGTH: 10 feet (3 meters) DESIGN: "Y" PS/2 Cable (providing separate keyboard and mouse connections)
Key Switch	MATERIAL: Industrial Silicone Rubber LIFE: Greater than 10 million cycles TRAVEL: 0.055 in. (1.4mm) ACTUATION FORCE: 5 oz. (130g) FEEDBACK: Tactile with a Mechanical Snap
Vibration	POWER SPECTRAL DENSITY: 0.04g/HZ FREQUENCY RANGE: 20Hz-2Khz DURATION OF TEST PER AXIS: 3hours
Power	HULAPOINT: 5v@10ma (from mouse connection port)
Flammability	PRINTED CIRCUIT BOARD: 94VO SILICONE OVERLAY: 94HB INTERFACE CABLE: 94VO
Compatability	PS/2 KEYBOARD/HULAPOINT: All Windows Operating Systems
Temperature Range	-40C to +90C (-40F to +194F)
Warranty	1 year limited warranty
Humidity	100% Humidity Resistant
Dimensions	16.25" x 7.88" (w-h) 412.8mm x 200.2mm

Features and Benefits

- 10-Key Numeric Pad
- 20 Function Keys
- MSHA approval Number ia18756
- 113-Key Functionality
- Integrated HulaPoint II Pointing Device



KEY SWITCH

MATERIAL: Industrial Silicone Rubber
 LIFE: Greater than 10 million cycles
 TRAVEL: 0.055 in.
 ACTUATION FORCE: 5 oz. (130g)
 FEEDBACK: Tactile with Mechanical Snap

HUMIDITY

100% Humidity Resistant

POWER

HULAPOINT: 5V@10ma (from mouse connection port)

FLAMMABILITY

PRINTED CIRCUIT BOARD: 94VO
 SILICONE OVERLAY: 94HB
 INTERFACE CABLE: 94VO

TEMPERATURE

-40 F to +194 F (-40 C to +90 C)

SHOCK

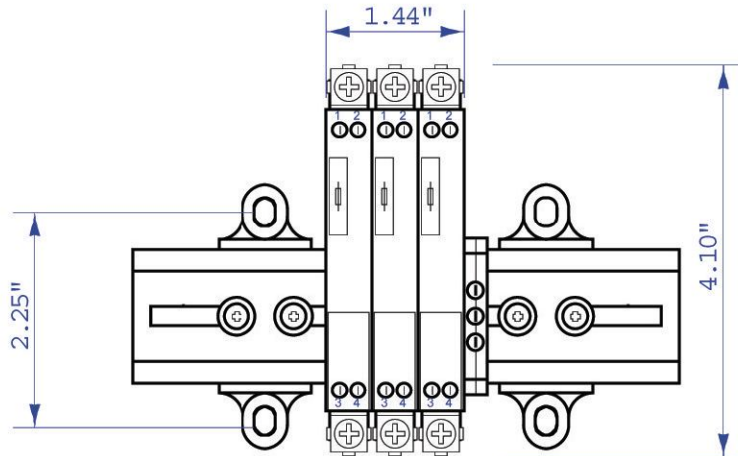
3 X 11 ms pulses of 50g on each of 3 axes

VIBRATION

POWER SPECTRAL DENSITY: .04g/HZ
 FREQUENCY RANGE: 20Hz-2Khz
 DURATION OF TEST PER AXIS: 3 hours

Copyright 1999-2000 Multi-Technology Sales. All rights reserved.

Part Number: DT-5K-MSH	Drawing Number: TIP5KMSHMKT	Sheet: 1 OF 2
Drawing Title: DIMENSIONS/FEATURES	Revision: 1.001	Date: 3.2.00
		TJO

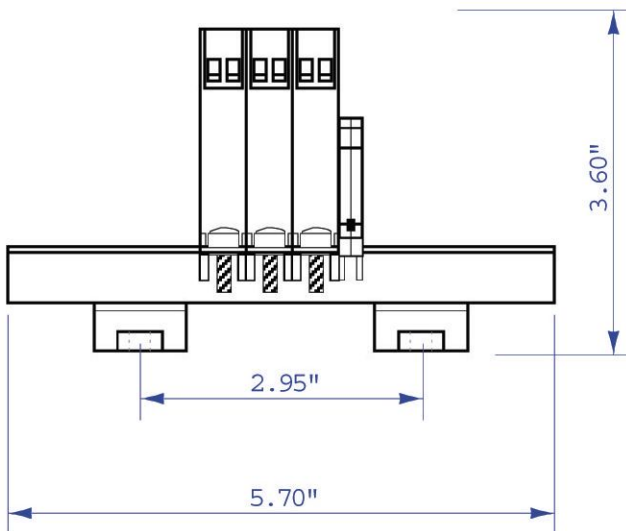


Intrinsic Safety Barrier Specifications

STAHL#: 9001/01-083-442-10
 Rated voltage 8.1 V
 Internal Resistance 21 ohm

Application Notes

1. Supply, clock and data leads to be wired through STAHL#: 9001/01-083-442-10 Intrinsic Safety Barrier as shown above.
2. Stahl Barriers must be housed in an MSHA-certified explosion-proof enclosure.
3. The IS barrier ground conductor must be greater than or equal to #12 AWG.
4. The grounding path resistance from the furthest IS barrier to the designated ground electrode must be less than 1 Ohm.
5. Shakeproof ground terminals must be used to connect the ground connector to designated ground electrode.
6. All ground path connections must be secure, identified, permanent, visible and accessible for routine inspection.
7. The barriers must not be connected to electrical equipment that uses or generates more than 250 volts rms.
8. The installation of the circuit shall preclude intermingling between intrinsically safe circuits, including their associated wires and cables and all other circuits, wires and cables.
9. There must be at least 2 inches of separation between the IS and non-IS wires on the barriers.



	PS/2 PIN NUMBER	SIGNAL	COLOR
MOUSE	1	DATA	BLACK
	3	GROUND	RED
	4	+5V	BROWN
	5	CLOCK	BLUE

Copyright 1999-2000 Multi-Technology Sales. All rights reserved.

Part Number: DT-5K-MSH	Drawing Number: TIP5KMSHMKT	Sheet: 2 OF 2	
Drawing Title: DIMENSIONS/FEATURES	Revision: 1.001	Date: 3.2.00	TJO



Distributed by:
 i-Tech Company LLC
 TOLL FREE: (888) 483-2418 • EMAIL: info@iTechLCD.com • WEB: www.iTechLCD.com