

# 1U Rack mount 19" TFT SAMSUNG LCD Monitor Drawer

## Model: NP119

### Features:

- Unique mechanical design to maximize rack mountable space
- Unique monitor flip up design allows viewing through closed glass door of cabinet
- Adjustable mounting brackets from 15.4" to 29.2"
- Slide rails have two fixed positions to prevent movement of the keyboard
- Built-in on screen display controlled by integral membrane switches



- **SAMSUNG Industrial LCD Panel**
- **Optional Video Input-S-Video and Composite Video Input --Supported PAL & NTSC**
- **Optional -48V DC Input Supply**
- **Optional 3M Touch Screens**
- Front-access lock of security
- Standard D-sub 15-pin VGA input connector
- Supplied with 12V 5A remote power adapter
- All mounting hardware included

## Specification

### Monitor

Panel:	19" LCD panel
Display type:	TFT / LCD active matrix color
Resolutions:	1280 x 1024
Response time:	Tr=15ms/ Tf=10ms
Contrast ratio:	500 : 1 typical
Brightness:	250 cd/m <sup>2</sup> typical
Pixel pitch:	0.098mm (H) x 0.294mm (W)
Panel color:	16.7 million display colors
Viewing angle:	170° (Horiz.)/ 170° (Vert.)
Storage temp.	-20° C to 65° C
Operating temp.	0° C to 50° C
MTBF	20,000 hours

### Power supply

Remote adapter:	110V - 220V AC Input , 12V 5A Output
Adapter Size:	4.3"(L) x 2.4" (W) x 1.2"(H) (108x61x30mm)
Cable length from mains plug to adapter:	6ft (182cm)
Cable length from adapter to unit:	6ft (180cm)
Safety approval:	UL, CE
Mains plug options available	

**Product dimension**--- 17.3"(W) x 1.75"(H) x 21.7"(D)  
(43.9 x 4.45 x 55 cm)

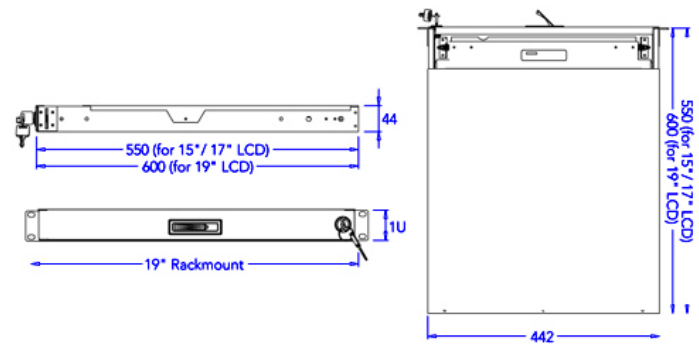
**Packing dimension**--- 28.96"(L) x 22.66"(W) x 7"(H)  
(73.5 x 57.5 x 18cm)

### Weight

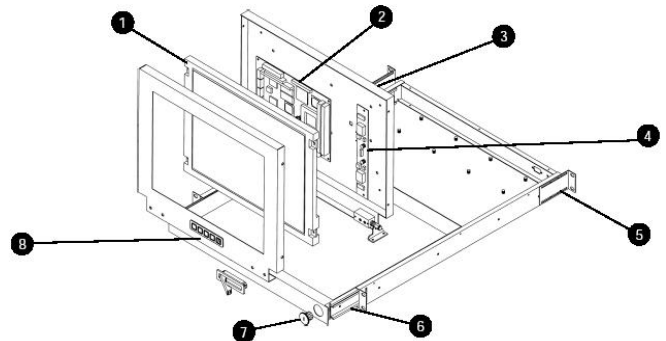
Model No	Net / Gross weight
NP119	28.6 lbs / 35.2 lbs ( 13kg / 16kg)

## Construction

1. Class A active matrix TFT LCD panel
2. Analog-to-digital signal converter board
3. Rear metal case
4. Inverter
5. Adjustable mounting bracket
6. Ball bearing telescopic slides with stopper
7. Security lock
8. Panel button controls



Unit : mm



- Adjustable mounting bracket from 390 to 740mm (front to rear 19" mounts)
- Suitable for 650 to 1000mm deep 19" cabinet

