

i-Tech: 1U Rack mount 15" TFT LCD monitor keyboard drawer

**Model: NVP
1415e/1415c/1415b**

Features:

- **Unique mechanical design** to maximize rack mountable space
- Black anodized aluminum front panel
- **Adjustable mounting brackets** from 15.4" to 27".
- Keyboard with GlidePoint touch pad mouse or Cherry Trackball
- **Built-in on screen display** controlled by integral membrane switches
- Standard D-sub 15-pin VGA input connector
- Supplied with 12V 5A remote power adapter
- **All mounting hardware included**



- ❖ *Space Spacing Design only 17" deep Chassis*
- ❖ *SamSung Industrial LCD Panel*

Specification

Monitor

Panel: 15" LCD panel
 Display type: TFT / LCD active matrix color
 Resolutions: 1024 x 768
 Response time: Tr=5ms/ Tf=20ms
 Contrast ratio: 300 : 1 typical
 Brightness: 250 cd/m² typical
 Pixel pitch: 0.297mm (H) x 0.297mm (W)
 Panel color: 16.7 million display colors
 Viewing angle: 130° (Horiz.)/ 110 ° (Vert.)
 Storage temp. -25° C to 60 ° C
 Operating temp. 0° C to 50° C
 MTBF 50,000 hours

Power supply

Remote adapter: 110V - 220V AC Input 12V 5A Output
 Adapter Size: 4.3"(L) x 2.4" (W) x 1.2"(H)
 (108x61x30mm)
 Cable length from mains plug to adapter: 6ft (182cm)
 Cable length from adapter to unit: 6ft (180cm)
 Safety approval: UL, CE
 Mains plug options available

Keyboard Selection:

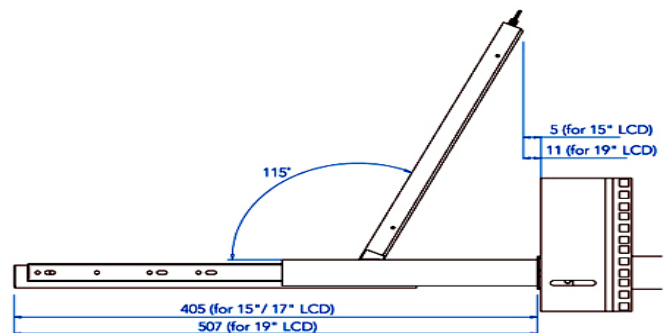
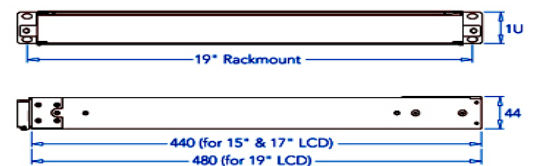
- 1: "e" Notebook type keyboard with touch pad mouse
- 2: "c" Cherry keyboard with trackball
- 3: "b" Notebook type keyboard with 3 buttons Trackball Mouse

Product dimension--- 17.3"(W) x 1.75"(H) x 17"(D)

Packing dimension--- 24.0"(L) x 22.66"(W) x 7"(H)

Weight

Model No	KVM	Net / Gross weight
NVP1415	Non	31 lbs / 40lbs



Unit : mm