

i-Tech: 1U Rack mount 19" TFT LCD monitor keyboard drawer

Model: NVP 1419e/1419c

Features:

- **Unique mechanical design** to maximize rack mountable space
- Black anodized aluminum front panel
- **Adjustable mounting brackets** from 15.4" to 29".
- Keyboard with GlidePoint touch pad mouse or Cherry Trackball
- **Built-in on screen display** controlled by integral membrane switches
- Standard D-sub 15-pin VGA input connector
- Supplied with 12V 5A remote power adapter
- **All mounting hardware included**



- ❖ **Largest 19" LCD in 1U Rackmount keyboard Drawer**
- ❖ **Space Spacing Design only 19" deep Chassis**
- ❖ **SamSung Industrial LCD Panel**

Specification

Monitor

Panel:	19" LCD panel
Display type:	TFT / LCD active matrix color
Resolutions:	1280 x 1024
Response time:	Tr=15ms/ Tf=10ms
Contrast ratio:	00 : 1 typical
Brightness:	250 cd/m ² typical
Pixel pitch:	0.098mm (H) x 0.294mm (W)
Panel color:	16.7 million display colors
Viewing angle:	170° (Horiz.)/ 170° (Vert.)
Storage temp.	-20° C to 65° C
Operating temp.	0° C to 50° C
MTBF	20,000 hours

Power supply

Remote adapter:	110V - 220V AC Input 12V 5A Output
Adapter Size:	4.3"(L) x 2.4" (W) x 1.2"(H)
(108x61x30mm)	
Cable length from mains plug to adapter:	6ft (182cm)
Cable length from adapter to unit:	6ft (180cm)
Safety approval:	UL, CE
Mains plug options available	

Keyboard Selection:

- 1: Notebook type keyboard with touch pad mouse
- 2: Cherry keyboard with trackball

Product dimension--- 17.3"(W) x 1.75"(H) x 19" (D)

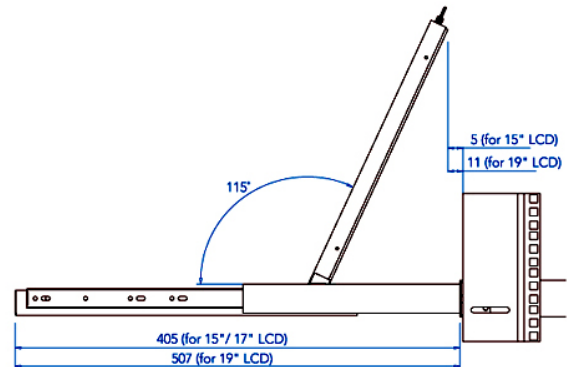
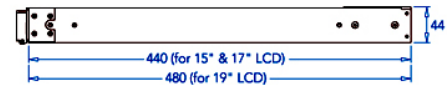
Packing dimension--- 23.75"(L) x 23.125"(W) x 7"(H)

Weight

Model No	KVM	Net / Gross weight
NVP1419	Non	25.0 lbs / 45.00lbs

Construction

1. SamSung active matrix TFT LCD panel
2. Rear metal case
3. N/A
4. Adjustable mounting bracket
5. Analog-to-digital signal converter board
6. Inverter
7. Ball bearing telescopic slides
8. N/A
9. Front cover
10. Panel button control
11. Front metal case



Unit : mm

