

Military Grade Rugged Panel Mount PC

MODEL: EMPMW1560HB-J-TR



Military Panel PC Panel Mount, 15.6" LCD monitor, 1920x1080 LED-1000nits, VGA, WV(170°/170° IPS) Intel Atom BayTrail, Celeron-J1900 quad cores processor, 2.0GHz 8GB for DDR3/1333, up to 8GB 1*VGA, 1*HDMI, 2*RJ45(GbE), 4*USB(2*USB3.0+2*USB2.0), 3*COMs (RS232/RS422/RS485), 2*Audio Jacks (Line out & Mic in), 2*PS/2 1TB SSD DI/DO Card: Isolated 16 DI / 8 DO, 1-Ch, DB37, PCIe I/F Without OS; w/ 5Wire Resistive touch, USB interface Compliance MIL-STD-810 and MIL-STD-461

FEATURES HIGHLIGHTS



FEATURES

- Modularize mechanical design provides flexible product configuration and easy maintenance
- Optional build-in touch screen for interactive application
- Intel Celeron J1900
- Intel Atom BayTrail
- 8GB DDR3 1333 MHz SDRAM,
- 1 x VGA, 1 x HDMI, 3 x COM, 2 x LAN, 2 x USB 2.0, 2 x USB 3.0
- DI/DO Card: Isolated 16 DI / 8 DO, 1-Ch, DB37, PCIe I/F
- Compliance MIL-STD-810 and MIL-STD-461





Side OSD buttons can prevent unnecessary setting changes.

VESA Mounting Hole Pattern

Reliable built-in Power supply for 15" or above
(Optional for 9-36V DC input)



Standard VGA Input
(Optional for DVI, HDMI, AV, BNC, AV looping and SDI)

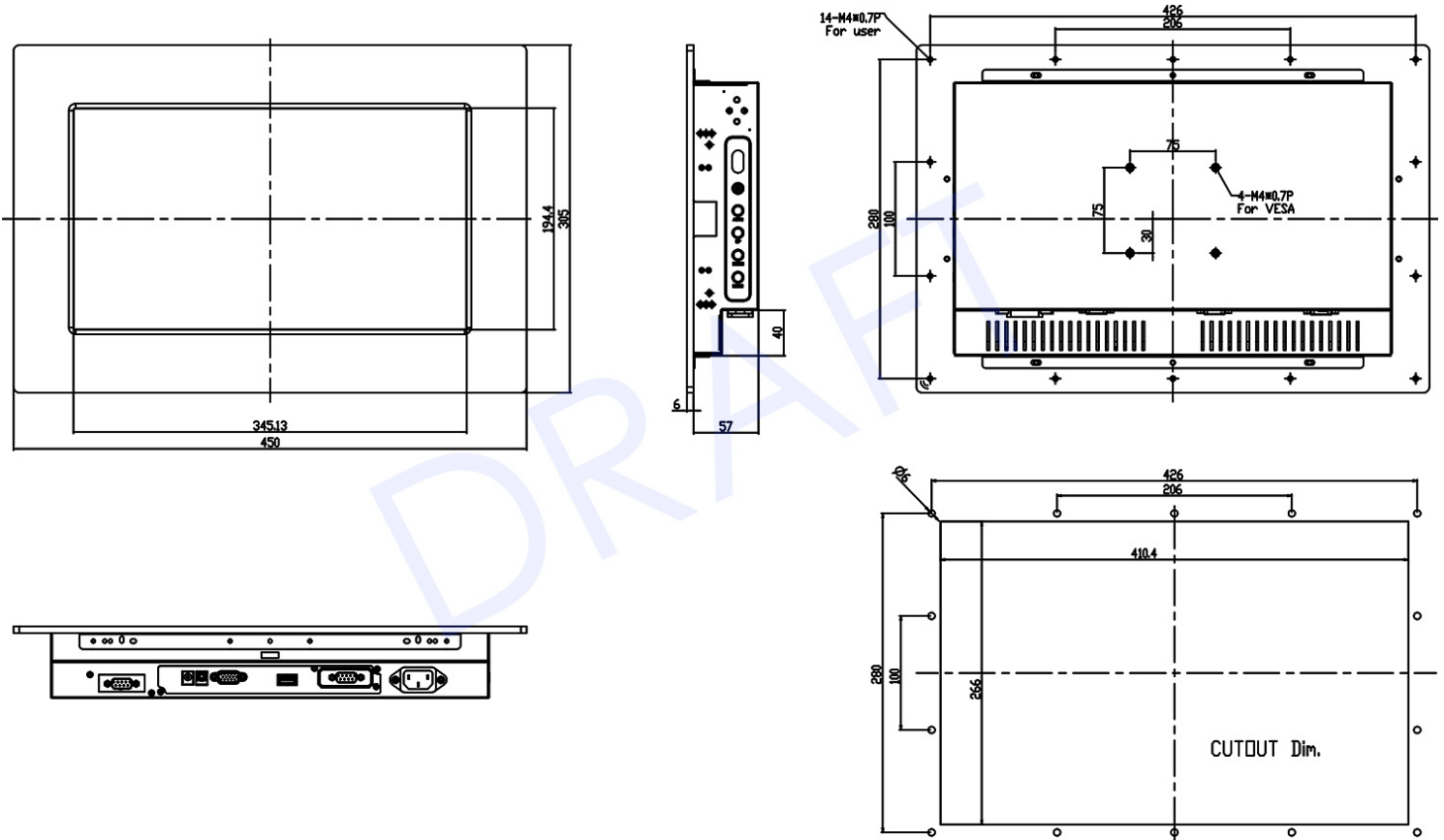
Optional for RS232 Remote Control Protocol: Command Code to set system

SPECIFICATIONS:

Panel	Cell Type / Glass Surface	TFT LCD / Black Anti-Glare, low reflection coating
	Aspect Ratio / Size	Wide / 15.6" viewable diagonal area
	Active Area / Pixel Pitch	344.16(H) x193.59(V) mm / 0.1793(H) x 0.1793(V) mm
	Native Resolution / Colors	1920(H) x 1080(V) / 16.7M
	Brightness / Contrast	1000 cd/m ² (typ) / 500 : 1
	Response Time	< 35 ms
	Viewing Angle (typical)	H.170° (- 85° ~ + 85°) , V. 170° (- 85° ~ + 85°)
	Light Source	LED backlight, Long life, 35,000 hrs (typ)
System	CPU	Intel® Celeron J1900 Processor
	BIOS	UEFI
	System / Graphic Chipset	Intel® Gen7 Intel Graphics DX 11*, OGL3.2
	System Memory	8GB DDR3 1333 MHz SDRAM
	HDD	1TB SSD
	I/O port	1 x VGA, 1 x HDMI 2 x USB 2.0, 2 x USB 3.0 3 x COM (RS232/422/485) 2 x LAN, Mic-in, Line-out, 2 x PS/2
Expansion	1 x Mini PCI-e	
Power	Power Input	12V DC input with adapter
	Power Consumption	28 Watt, <1 Watt
Operating Condition	Temperature / Humidity	0°C ~ 50°C (32°F ~ 122°F) , 10% ~ 90% (no condensation)
Dimensions	Physical	Please refer to Drawing
	Carton	W x H x D = TBD

Options	Touch	Video / TV	Enhanced Panel	Others
	Resistive touch	SV + AV	Panel with LED backlight	Digital Signage (Stand alone)
	Capacitive touch	SV + AV + AV_Looping	High brightness panel	Networking Digital Signage
	SAW touch	SV + AV + TV	Wide Temperature	Motion Sensor
	Infrared touch		Sunlight Readable	Light Sensor
	Protected glass			Auto-Dimming

MECHANICAL DRAWINGS:



LCD OPTIONS:



LED Backlight Options

Introducing LED backlight options for monitors for energy efficiency and a brighter screen.



TouchScreen Options

Our LCD has a wide selection option to choose which touchscreen technology suits for you.

	Four-Wire Resistive	Five-Wire Resistive	Pen Touch	Capacitive	Surface Wave(Saw)	Infrared Touch (Ir)
PRODUCT SIZE	1.7" - 24"	10.4" - 24"	15" - 19"	12" - 24"	10.4" - 30"	10.4" - 42"
TOUCH LIFE	1 - 2 million touches	30 - 35million touches	100 million touches	100 million touches	50 million touches	Long-term reliability
SCRATCH RESISTANCE	Hard Coated	Hard Coated	Hard Coated (SiO ²)	Hard Coated (SiO ²)	Glass Overlay Moh's hardness rating of 7	Glass Overlay Moh's hardness rating of 7
CONTAMINANT RESISTANCE	Resists moisture, dirt, vinegar, ammonia based food products and cleansers	Resists moisture, dirt, vinegar, ammonia based food products and cleansers	Resists moisture, dirt, vinegar, ammonia based food products and cleansers	Resists moisture, dirt, vinegar, ammonia based food products and cleansers	Resists moisture, dirt, vinegar, ammonia based food products and cleansers	Resists moisture, dirt, vinegar, ammonia based food products and cleansers
INPUT METHOD	Finger, Gloved Hand, Stylus	Finger, Gloved Hand, Stylus	Stylus Pen	Finger	Finger, Gloved Hand, Soft pliable stylus	Finger, Gloved Hand, Stylus
CONTROLLER	USB, RS232	USB, RS232	USB, RS232	USB, RS232	USB, RS232	USB, RS232



VIDEO Input Options:

For Video inputs options:

DVI, DVI+HDMI, SVideo+AV, SVideo+AV+DVI, AV+Looping, DVI+AV+Looping, HD-SDI, BNC (PAL/NTSC)



Optical Bonding Options

- Optical Bonding provides the best reduction of ambient light washout of any commercially available enhancement technology.
- Optical Bonding has a lower cost than most other competing technologies.
- Optical Bonding offers superior ruggedization, enhancing the display durability under vibration, shock and other environmental extremes.



RS-232 Remote Control Options

Remote Control Protocol: Command Code to set system



9-36V DC Input Options

iTech offers a selection of DC input from 9V to 36V



Light Sensor and Motion Sensor Options

iTech LCD offers Light and Motion Sensor

Privacy Filter

Front Glass Options:

- Anti Reflective AR Glass 3mm
- Anti Reflective AR Glass 6mm Vandal-Resistance
- Anti Reflective AR Glass 8mm Vandal-Resistance
- Anti Glare AG Glass 3mm