

EPM840 Series

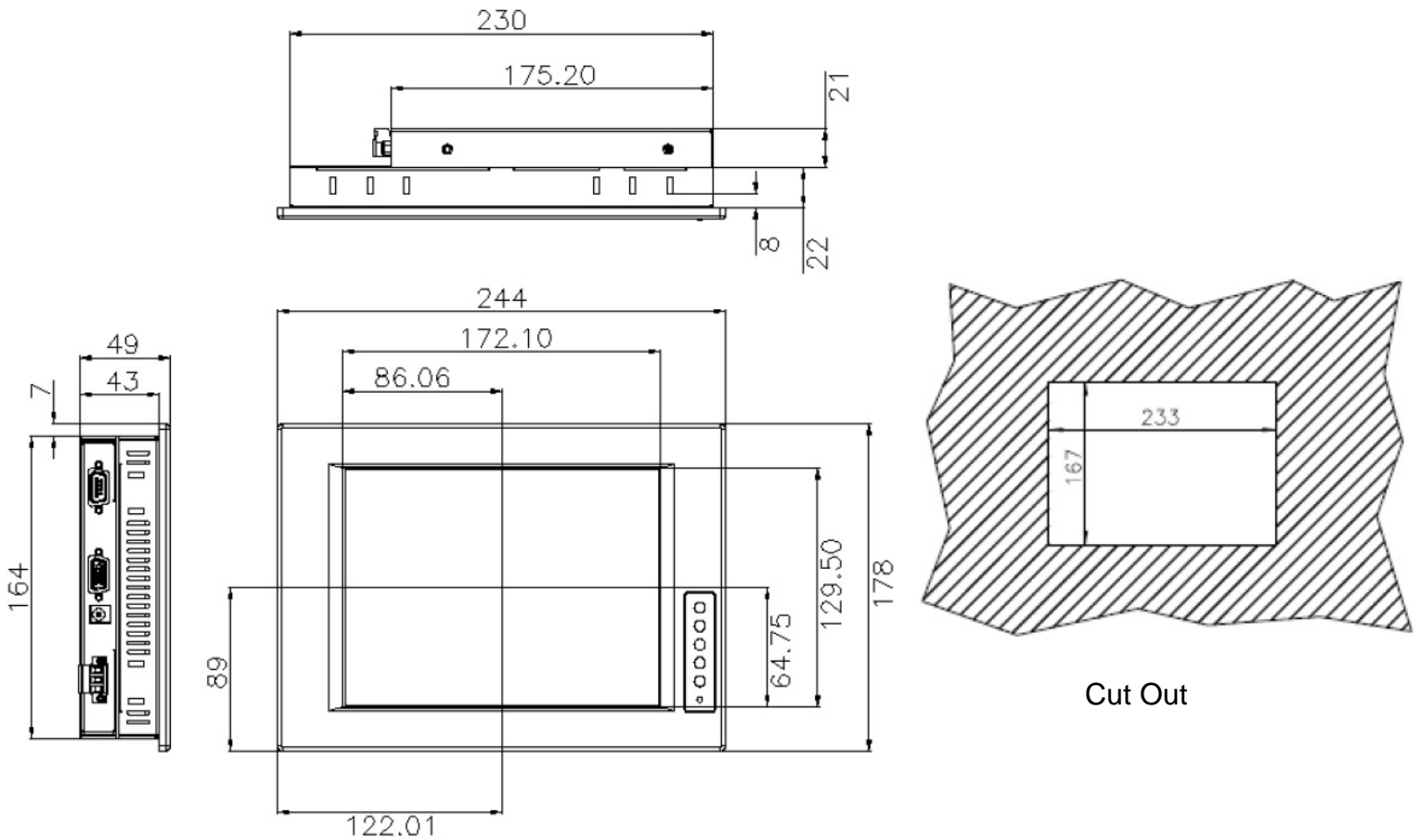
8.4" IP 65 Industrial Monitors, Robust, Shock Resistant with OSD Function



Features

- 1. Aluminum front panel meets IP 65 standard for tough working environment
- 2. Combination USB & RS-232 Touch Interfaces
- 3. Robust chassis and retention kit structure for shocking and vibration requirement
- 4. Over 300cd/m² high brightness and 50000hrs MTFB long lifetime panel
- 5. Analog VGA and DVI-D interface supports most of general system boards
- 6. Support 9~36V DC power input for mobile application

Mechanical Drawing



Specifications



Model	EPM650 Series	EPM840 Series	EPM1040 Series	EPM1210 Series	EPM1510 Series	EPM1710 Series	EPM1910 Series
LCD Size	6.5"	8.4"	10.4"	12.1"	15"	17"	19"
Input Interface	Analog VGA	Analog VGA	Analog VGA	Analog VGA + DVI-D	Analog VGA + DVI-D	Analog VGA + DVI-D	Analog VGA + DVI-D
Max Resolution	640 x 480	800 x 600	800 x 600	1024 x 768	1024 x 768	1280 x 1024	1280 x 1024
Brightness (cd/m ²)	800 Sunlight Readable	450	400	500	350	300	450
Contrast Ratio	600 : 1	600 : 1	700 : 1	700 : 1	500 : 1	800 : 1	1000 : 1
Display Color	262K	262K	262K	262K	16.2M	16.7M	16.7M
Pixel Pitch (mm)	0.207	0.213	0.264	0.3075	0.297	0.264	0.294
Viewing Angle (H/V)	160° / 140°	160° / 140°	160° / 140°	160° / 160°	120° / 100°	160° / 160°	170° / 160°
Touch Screen	Resistive type 4-wire / RS-232 & USB interface (touch controller IC is on board)		Resistive type 5-wire / RS-232 & USB interface (touch controller IC is on board)				
Front Frame	Aluminum						
Chassis	Heavy-duty						
Input Voltage	12VDC	12VDC or 9-36VDC					
OSD Function	OSD Keypad						
Smart OSD	Ye s						
Mounting	Wall/Arm/ Din Panel/Rac	Wall / Panel / Rack / Arm / Stand / VESA 100mm x 100mm					
Color	Silver						
Dimensions (W x H x D mm)	183 x 143 x 41	244 x 178 x 49	312 x 242 x 53	340 x 260 x 58	410 x 309 x 64.4	452 x 356 x 65.2	482 x 399 x 73
Operating Temperature	-10°C~50°C				0°C~50°C		
Front Panel Protection	IP 65						
Net Weight	1 kg	1.8 kgs	8.6 kgs	3 kgs	10 kgs	3.8 kgs	6 kgs
Power Adapter	36W, 63000-FSP036RAB610-RS				60W, 63040-010060-040-RS		

