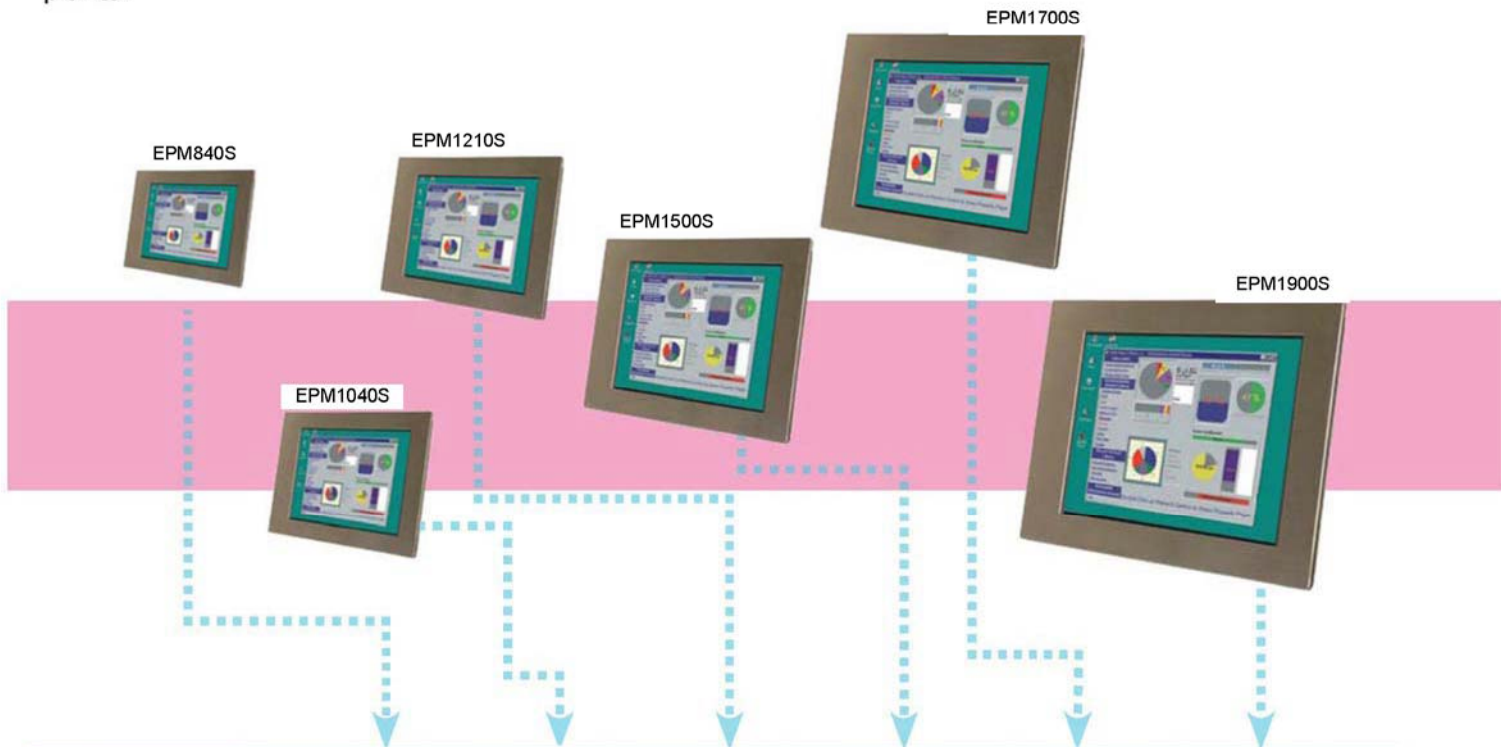


Stainless Steel Monitor Selection Guide



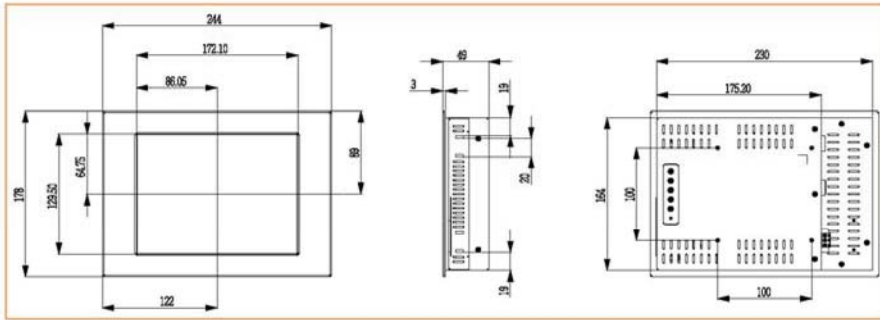
Best solution for food, chemical and pharmaceutical industries

Stainless steel can resist corrosion in most acids, alkaline solutions, and chlorine bearing environments, properties which are utilized in process plants. In addition, the easy cleaning ability makes it the first choice for strict hygiene conditions, such as hospitals, kitchens, abattoirs and other food processing plants.

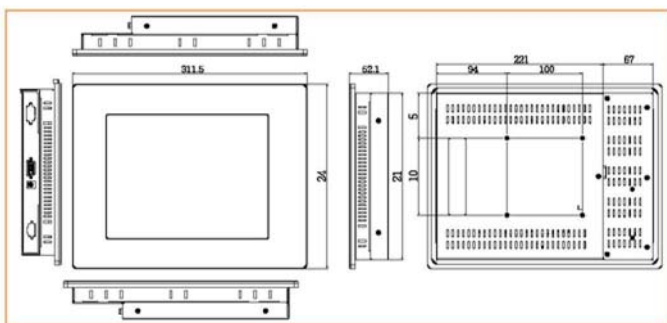


| Model | EPM840S | EPM1040S | EPM1210S | EPM1500S | EPM1700S | EPM1900S |
|---------------------------------|--------------------------------------|--------------------|----------------|-------------------------------|------------------|----------------------|
| LCD Size | 8.4" TFT | 10.4" TFT | 12.1" TFT | 15" TFT | 17" TFT | 19" TFT |
| Input Interface | Analog VGA | | | Analog VGA + DVI-D | | |
| Max Resolution | 800 x 600 | 800 x 600 | 800 x 600 | 1024 x 768 | 1280 x 1024 | 1280 x 1024 |
| Brightness (cd/m ²) | 220 / 450 | 230 / 400 | 400 | 350 | 300 | 300 |
| Contrast | 500 : 1 | 500 : 1 | 500:1 | 400:1 | 500:1 | 700:1 |
| LCD Color | 262K | 262K | 262K | 262K | 16.2M | 16.2M |
| Pixel Pitch (mm) | 0.213 | 0.264 | 0.3075 | 0.297 | 0.264 | 0.294 |
| Front Frame | Stainless Steel | | | | | |
| Chassis | Heavy-Duty Steel | | | | | |
| View Angle (H/V) | 130/110 | 120/100 | 120/100 | 140/110 | 120/100 | 140/130 |
| Power Adapter | 25W 63000-UP0251E12PL02-RS | | | 45W 63000-UP0451E12P81L-RS | | |
| OSD function | YES | | | | | |
| Mounting | Stand / Panel / Wall / Arm (100x100) | | | | | |
| Back Cover Color | Silver | | | | | |
| Dimension (WxHxD) (mm) | 244 x 178 x 49 | 311.5 x 242 x 52.1 | 340 x 260 x 58 | 409.25x 308.25 x 63.2 | 452 x 356 x 63.2 | 482.6 x 399.3 x 71.6 |
| Operation Temperature (°C) | 0~50°C | | | | | |
| IP Level | IP 65 | | | | | |
| N/G Weight | 2.3 kg | 3.4 kg | 4.4 kg | 6.6 kg | 9.2 kg | 10.75 kg |

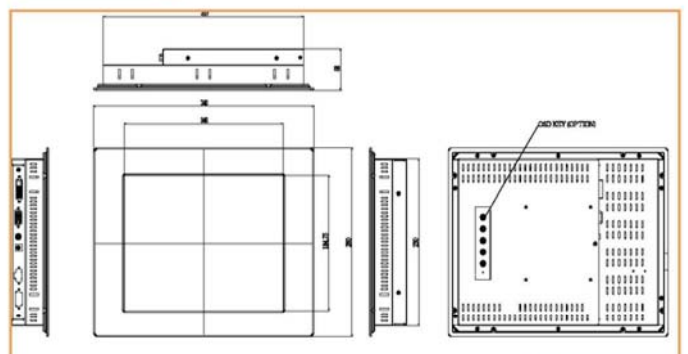
Dimensions



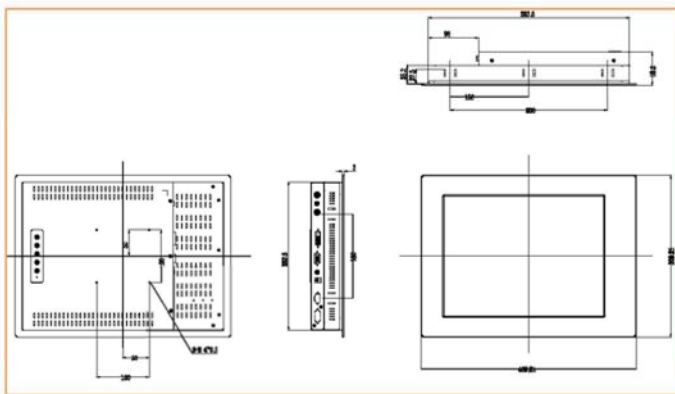
EPM840S



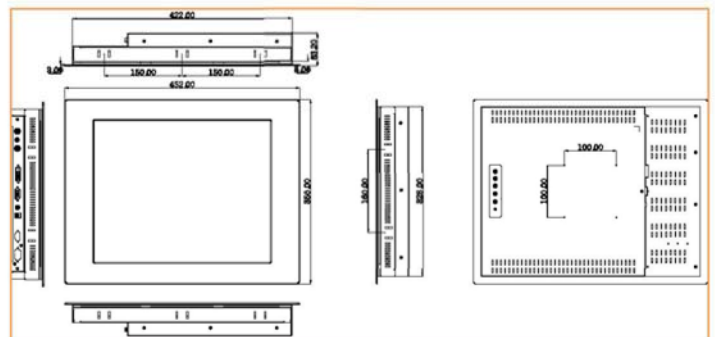
EPM1040S



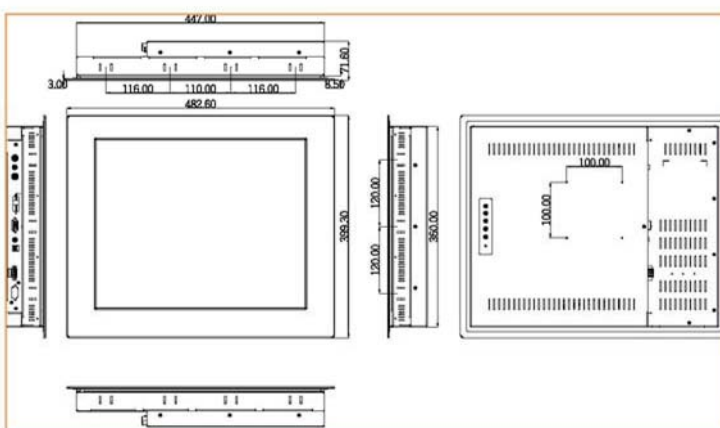
EPM1210S



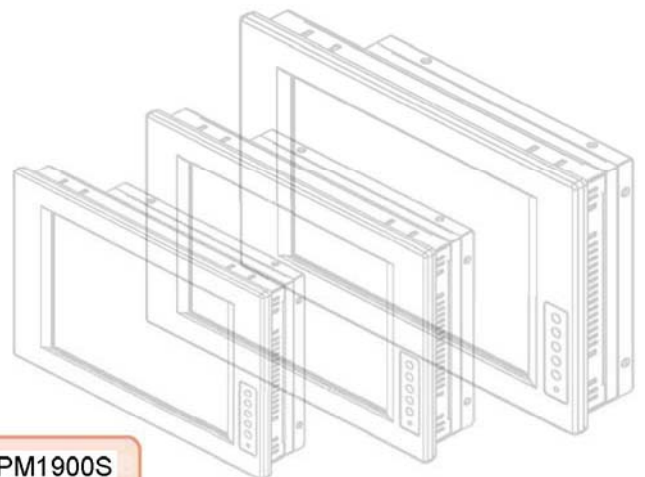
EPM1500S



EPM1700S



EPM1900S



EPM Series Ordering Information

| Part No. | Description |
|----------------------|---|
| 6.5" EPM650 | 6.5" 400cd/m ² LCD Monitor,Aluminum Front Panel,Silver Color |
| EPM650-T | 6.5" 400cd/m ² LCD Monitor,Aluminum Front Panel,Silver Color,W / Touch Screen |
| EHPM650 | 6.5" 500cd/m High Luminance LCD Monitor with VGA,Aluminum Front Panel,Silver Color,RoHS |
| EHPM650-T | 6.5" 500cd/m High Luminance LCD Monitor with VGA,Aluminum Front Panel,Silver Color,W/8.4" Touch Screen,RoHS |
| 8.4" EPM840 | 8.4" 220cd/m ² LCD Monitor ,Aluminum Front Panel,Silver Color |
| EPM840-DC | 8.4" 220cd/m LCD Monitor,Aluminum Front Panel,Silver Color,9~36V DC input |
| EPM840-T | 8.4" 220cd/m ² LCD Monitor,Aluminum Front Panel,Silver Color,W / Touch Screen |
| EPM840-DCT | 8.4" 220cd/m LCD Monitor,Aluminum Front Panel,Silver Color,W / Touch Screen,9-36V DC input |
| EHPM840 | 8.4" 450cd/m High Luminance LCD Monitor,Aluminum Front Panel,Silver Color |
| EHPM840-DC | 8.4" 450cd/m High Luminance LCD Monitor,Aluminum Front Panel,Silver Color,9~36V DC input |
| EHPM840-T | 8.4" 450cd/m ² High Luminance LCD Monitor,Aluminum Front Panel,Silver Color,W / Touch Screen |
| EHPM840-DCT | 8.4" 450cd/m ² High Luminance LCD Monitor,Aluminum Front Panel,Silver Color,W / Touch Screen,9-36V DC input |
| 10.4" EPM1040 | 10.4" 230cd/m ² LCD Monitor,Aluminum Front Panel,Silver Color |
| EPM1040-DC | 10.4" 230cd/m ² LCD Monitor,Aluminum Front Panel,Silver Color,9~36V DC input |
| EPM1040-T | 10.4" 230cd/m ² LCD Monitor,Aluminum Front Panel,Silver Color,W / Touch Screen |
| EPM1040-DCT | 10.4" 230cd/m ² LCD Monitor,Aluminum Front Panel,Silver Color,W / Touch Screen,9-36V DC input |
| EHPM1040 | 10.4" 400cd/m ² High Luminance LCD Monitor,Aluminum Front Panel,Silver Color |
| EHPM1040-DC | 10.4" 400cd/m ² High Luminance LCD Monitor,Aluminum Front Panel,Silver Color,9~36V DC input |
| EHPM1040-T | 10.4" 400cd/m ² High Luminance LCD Monitor,Aluminum Front Panel,Silver Color,W / Touch Screen |
| EHPM1040-DCT | 10.4" 400cd/m High Luminance LCD Monitor,Aluminum Front Panel,Silver Color,W / Touch Screen,9-36V DC input |
| 12.1" EPM1210 | 12.1" 400cd/m ² LCD Monitor, Aluminum Front Panel, Silver Color |
| EPM1210-DC | 12.1" 400cd/m ² LCD Monitor, Aluminum Front Panel, Silver Color,9~36V DC input |
| EPM1210-T | 12.1" 400cd/m ² LCD Monitor, Aluminum Front Panel, Silver Color,W / Touch Screen |
| EPM1210-DCT | 12.1" 400cd/m ² LCD Monitor, Aluminum Front Panel, Silver Color,W / Touch Screen,9-36V DC input |
| EPM1210-TU | 12.1" 400cd/m ² LCD Monitor,Aluminum Front Panel,Silver Color,W/12.1" Touch Screen,RoHS,USB. |
| EPM1210-DCTU | 12.1" 400cd/m ² LCD Monitor,Aluminum Front Panel,Silver Color,W/12.1" Touch Screen,9-36V DC input,RoHS ,USB. |
| 15" EPM1510 | 15" 350cd/m ² LCD Monitor, Aluminum Front Panel, Silver Color |
| EPM1510-DC | 15" 350cd/m ² LCD Monitor, Aluminum Front Panel, Silver Color,9~36V DC input |
| EPM1510-T | 15" 350cd/m ² LCD Monitor, Aluminum Front Panel, Silver Color,W / Touch Screen |
| EPM1510-DCT | 15" 350cd/m ² LCD Monitor, Aluminum Front Panel, Silver Color,W /Touch Screen,9-36V DC input |
| EPM1510-TU | 15" 350cd/m ² LCD Monitor,Aluminum Front Panel,Silver Color,W/15" USB Touch Screen |
| EPM1510-DCTU | 15" 350cd/m ² LCD Monitor,Aluminum Front Panel,Silver Color,W/15" USB Touch Screen,9-36V DC input,RoHS |
| 17" EPM1710 | 17" 300cd/m ² LCD Monitor, Aluminum Front Panel, Silver Color |
| EPM1710-DC | 17" 300cd/m LCD Monitor, Aluminum Front Panel, Silver Color,9~36V DC input |
| EPM1710-T | 17" 300cd/m ² LCD Monitor, Aluminum Front Panel, Silver Color,W / Touch Screen |
| EPM1710-DCT | 17" 300cd/m ² LCD Monitor, Aluminum Front Panel, Silver Color,W / Touch Screen,9-36V DC input |
| EPM1710-TU | 17" 300cd/m ² LCD Monitor,Aluminum Front Panel,Silver Color,W/17" USB Touch Screen |
| EPM1710-DCTU | 17" 300cd/m ² LCD Monitor,Aluminum Front Panel,Silver Color,W/17" USB Touch Screen,9-36V DC input,RoHS |
| 19" EPM1910 | 19" 300cd/m ² LCD Monitor, Aluminum Front Panel, Silver Color |
| EPM1910-DC | 19" 300cd/m ² LCD Monitor, Aluminum Front Panel, Silver Color,9~36V DC input |
| EPM1910-T | 19" 300cd/m ² LCD Monitor, Aluminum Front Panel, Silver Color,W / Touch Screen |
| EPM1910-DCT | 19" 300cd/m ² LCD Monitor, Aluminum Front Panel, Silver Color,W / Touch Screen,9-36V DC input |
| EPM1910-TU | 19" 300cd/m ² LCD Monitor,Aluminum Front Panel,Silver Color,W/19" USB Touch Screen |
| EPM1910-DCTU | 19" 300cd/m ² LCD Monitor,Aluminum Front Panel,Silver Color,W/19" USB Touch Screen,9-36V DC input,RoHS |

EPM Stainless Steel Series Ordering Information

| Part No. | Description |
|-----------------------|--|
| 8.4" EPM840S | 8.4" 220cd/m ² LCD Monitor with VGA, Stainless Steel Front Panel,RoHS |
| EPM840S-DC | 8.4" 220cd/m ² LCD Monitor with VGA and 9-36V DC Input, Stainless Steel Front Panel,RoHS |
| EPM840S-T | 8.4" 220cd/m ² LCD Monitor with VGA, Stainless Steel Front Panel,W/8.4" Touch Screen,RoHS |
| EPM840S-DCT | 8.4" 220cd/m ² LCD Monitor with VGA and 9-36V DC Input, Stainless Steel Front Panel,W/8.4" Touch Screen,RoHS |
| EHPM840S | 8.4" 450cd/m ² High Luminance LCD Monitor with VGA, Stainless Steel Front Panel,RoHS |
| EHPM840S-DC | 8.4" 450cd/m ² High Luminance LCD Monitor with VGA and 9-36V DC Input, Stainless Steel Front Panel,RoHS |
| EHPM840S-DCT | 8.4" 450cd/m ² High Luminance LCD Monitor with VGA and 9-36V DC Input, Stainless Steel Front Panel,W/8.4" Touch Screen,RoHS |
| EHPM840S-T | 8.4" 450cd/m ² High Luminance LCD Monitor with VGA, Stainless Steel Front Panel,W/8.4" Touch Screen,RoHS |
| 10.4" EPM1040S | 10.4" 230cd/m ² LCD Monitor with VGA, Stainless Steel Front Panel,RoHS |
| EPM1040S-DC | 10.4" 230cd/m ² LCD Monitor with VGA and 9-36V DC Input, Stainless Steel Front Panel,RoHS |
| EPM1040S-T | 10.4" 230cd/m ² LCD Monitor with VGA, Stainless Steel Front Panel,W/10.4" Touch Screen,RoHS |
| EPM1040S-DCT | 10.4" 230cd/m ² LCD Monitor with VGA and 9-36V DC Input, Stainless Steel Front Panel,W/10.4" Touch Screen,RoHS |
| EHPM1040S | 10.4" 400cd/m ² High Luminance LCD Monitor with VGA, Stainless Steel Front Panel,RoHS |
| EHPM1040S-DC | 10.4" 400cd/m ² High Luminance LCD Monitor with VGA and 9-36V DC Input, Stainless Steel Front Panel,RoHS |
| EHPM1040S-T | 10.4" 400cd/m ² High Luminance LCD Monitor with VGA, Stainless Steel Front Panel,W/10.4" Touch Screen,RoHS |
| EHPM1040S-DCT | 10.4" 400cd/m ² High Luminance LCD Monitor with VGA and 9-36V DC Input, Stainless Steel Front Panel,W/10.4" Touch Screen,RoHS |
| 12.1" EPM1210S | 12.1" 400cd/m ² LCD Monitor, Stainless Steel Front Panel,RoHS |
| EPM1210S-DC | 12.1" 400cd/m ² LCD Monitor, Stainless Steel Front Panel,9-36V DC input,,RoHS |
| EPM1210S-T | 12.1" 400cd/m ² LCD Monitor, Stainless Steel Front Panel,W/12.1" Touch Screen,,RoHS |
| EPM1210S-DCT | 12.1" 400cd/m ² LCD Monitor, Stainless Steel Front Panel,W/12.1" Touch Screen,9-36V DC input,RoHS |
| EHPM1210S-TU | 12.1" 400cd/m ² LCD Monitor, Stainless Steel Front Panel,W/12.1" USB Touch Screen,,RoHS |
| EHPM1210S-DCTU | 12.1" 400cd/m ² LCD Monitor, Stainless Steel Front Panel,W/12.1" USB Touch Screen,9-36V DC input,RoHS |
| 15" EPM1500S | 15" 350cd/m ² LCD Monitor, Stainless Steel Front Panel,RoHS |
| EPM1500S-DC | 15" 350cd/m ² LCD Monitor, Stainless Steel Front Panel,9-36V DC input,RoHS |
| EPM1500S-T | 15" 350cd/m ² LCD Monitor, Stainless Steel Front Panel,W/15" Touch Screen,RoHS |
| EPM1500S-DCT | 15" 350cd/m ² LCD Monitor, Stainless Steel Front Panel,W/15" Touch Screen,9-36V DC input,RoHS |
| EHPM1500S-TU | 15" 350cd/m ² LCD Monitor, Stainless Steel Front Panel,W/15" USB Touch Screen,RoHS |
| EHPM1500S-DCTU | 15" 350cd/m ² LCD Monitor, Stainless Front Panel,W/15" USB Touch Screen,9-36V DC input,RoHS |
| 17" EPM1700S | 17" 300cd/m ² LCD Monitor, Stainless Front Panel,RoHS |
| EPM1700S-DC | 17" 300cd/m ² LCD Monitor, Stainless Front Panel,9-36V DC input,,RoHS |
| EPM1700S-T | 17" 300cd/m ² LCD Monitor, Stainless Front Panel,W/17" Touch Screen,,RoHS |
| EPM1700S-DCT | 17" 300cd/m ² LCD Monitor, Stainless Front Panel,W/17" Touch Screen,9-36V DC input,RoHS |
| EHPM1700S-TU | 17" 300cd/m ² LCD Monitor, Stainless Front Panel,W/17" USB Touch Screen,,RoHS |
| EHPM1700S-DCTU | 17" 300cd/m ² LCD Monitor, Stainless Front Panel,W/17" USB Touch Screen,9-36V DC input,RoHS |
| 19" EPM1900S | 19" 300cd/m ² LCD Monitor with VGA and DVI-D input, Stainless Steel Front Panel,RoHS |
| EPM1900S-DC | 19" 300cd/m ² LCD Monitor with VGA and DVI-D input and 9-36V DC Input, Stainless Steel Front Panel,Silver Color,,RoHS |
| EPM1900S-T | 19" 300cd/m ² LCD Monitor with VGA and DVI-D input, Stainless Steel Front Panel,Silver Color,W/19" Touch Screen,RoHS |
| EPM1900S-DCT | 19" 300cd/m ² LCD Monitor with VGA and DVI-D input and 9-36V DC Input, Stainless Steel Front Panel,W/19" Touch Screen,RoHS |
| EHPM1900S-TU | 19" 300cd/m ² LCD Monitor with VGA and DVI-D input, Stainless Steel Front Panel,W/19" USB Touch Screen,RoHS |
| EHPM1900S-DCTU | 19" 300cd/m ² LCD Monitor with VGA and DVI-D input and 9-36V DC Input, Stainless Steel Front Panel,W/19" USB Touch Screen,RoHS |
| 12" EPM1210-WT | 12.1" 400cd/m ² LCD Monitor,Aluminum Front,-30- 70°C Operation Temperature, RoHS |
| EPM1210-WTT | 12.1" 400cd/m ² LCD Monitor,Aluminum Front,W/12.1" Touch Screen, -30-70°C Operation Temperature RoHS |
| EPM1210-WTTU | 12.1" 400cd/m ² LCD Monitor, Aluminum Front Panel,W/12.1" Touch Screen, -30-70°C Operation Temperature, USB Touch Screen, RoHS |
| EPM1210-WT-DC | 12.1" 400cd/m ² LCD Monitor,Aluminum Front, 9-36V DC Input,-30-70°C Operation Temperature, RoHS |
| EPM1210-WTT-DC | 12.1" 400cd/m ² LCD Monitor,Aluminum Front, 9-36V DC Input,-30-70°C Operation Temperature, RoHS |
| EPM1210-WTT-DCTU | 12.1" 400cd/m ² LCD Monitor,Aluminum Front, 9-36V DC Input,-30-70°C Operation Temperature, USB Touch Screen, RoHS |
| 15" EPM1510-WT | 15" 350cd/m ² LCD Monitor,Aluminum Front,-30- 70°C Operation Temperature, RoHS |
| EPM1510-WTT | 15" 350cd/m ² LCD Monitor,Aluminum Front,W/15" Touch Screen, -30- 70°C Operation Temperature, RoHS |
| EPM1510-WTTU | 15" 350cd/m ² LCD Monitor, Aluminum Front Panel,W/15" Touch Screen, -30- 70°C Operation Temperature, RoHS |
| EPM1510-WT-DC | 15" 350cd/m ² LCD Monitor,Aluminum Front, 9-36V DC Input, -30- 70°C Operation Temperature ,RoHS |
| EPM1510-WTT-DC | 15" 350cd/m ² LCD Monitor,Aluminum Front, 9-36V DC Input, W/15" Touch Screen, -30- 70°C Operation Temperature ,RoHS |
| EPM1510-WTT-DCTU | 15" 350cd/m ² LCD Monitor,Aluminum Front Panel, 9-36V DC Input, W/15" Touch Screen, -30- 70°C Operation Temperature, USB Touch Screen ,RoHS |

