

RACKMOUNT LCD MONITOR



9U Rack Mount LCD Display, 20.1"-1600x1200, LED-400nits, Contrast 700:1
 VGA+DVI-D signal input ports, Synchronization on green
 OSD on Front Bezel with Up/Down keys for 0~100 % brightness tuning
 Front protected glass with EMI Film for Anti-reflection & 92 % filtration of
 electromagnetic interface With Handles on Left and Right sides
 Built-in Power System with 110/220V AC auto-switch

Model: ERM920-EMI

FEATURES HIGHLIGHTS:

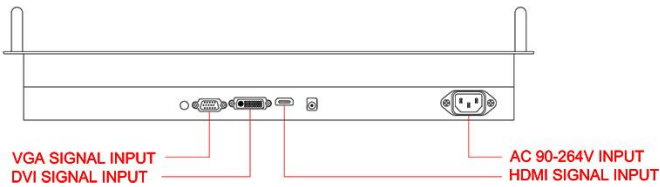
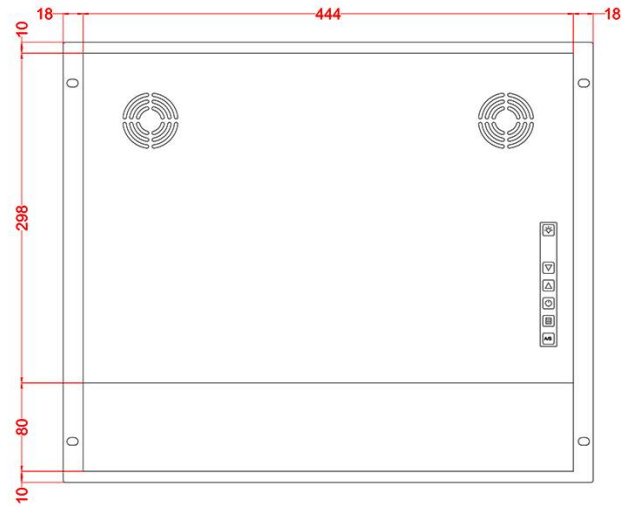
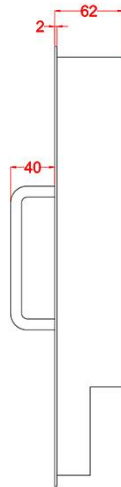
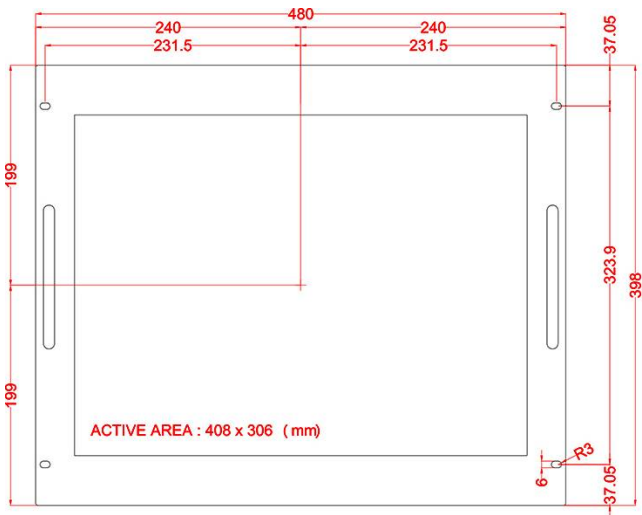
- 1600 x 1200 Native resolution, 400 cd/m2 brightness, 160 horizontal/vertical viewing angle
- VGA connector with optional AV.SV.AV-Looping
- Modularize mechanical design provides flexible product configuration and easy maintenance
- Complete custom design/solution for OEM customers
- Optional build-in touch screen for interactive application

SPECIFICATIONS:

Panel	Cell Type / Glass Surface	TFT LCD / Black Anti-Glare, low reflection coating	
	Aspect Ratio / Size	4 : 3 / 20.1" viewable diagonal area	
	Active Area / Pixel Pitch	408.0(H) x 306.0(V) mm / 0.255(H) x 0.255(V) mm	
	Native Resolution / Colors	1600(H) x 1200(V) / 16.7 Million	
	Brightness / Contrast	400 cd/m2 (typ) / 700 :1	
	Response Time	≤ 8 ms	
	Viewing Angle (typical)	H. 160° (- 80° ~ + 80°) , V. 160°(- 80° ~ + 80°)	
	Light Source	LED backlight, Long life, 35,000 hrs (typ)	
Input Sources	PC System	Signal	Analog RGB (0.7/1.0 V _{p-p} , 75 ohms)
		Sync	Separate Sync, Composite Sync, Sync On Green
		Frequency	F _h : 30 - 82Khz , F _v : 50 -75Hz
	Audio System	2W speaker x 2	
Input Terminals	1 x VGA (15 Pin Female D-Sub), 1 x PC Audio (Stereo Headphone Jack), 1 x AC inlet		
Convenient Features	Auto Calibration , Back Light Adjustment , Plug&Play (VESA DDC/CI, DDC 2B)		
	OSD Multi-Languages , Wall Mount Ready (VESA 100 x 100 mm)		
Power	Internal power supply with universal / Auto-Sensing, AC90 to 260V, 50/60 Hz		
Power Consumption	Operation / Power Saving	40 watt, < 2 watt (Support DPMS)	
Operating Condition	Temperature / Humidity	0°C ~ 50°C (32°F ~ 122°F) , 10% ~ 90% (no condensation)	
Storage Condition	Temperature / Humidity	- 20°C ~ 60°C (- 4°F ~ 140°F) , 10% ~ 90% (no condensation)	
Certification	FCC , CE		
Dimensions	Physical	W x H x D = 482.0 x 400.0(9U) x 73.0 (mm)	
	Carton	W x H x D = TBD	
Weight	N.W. / G.W.	8.5 Kgs / 9.5 Kgs	
Container Loaded	20ft / 40ft / 40ft HQ	TBD (Sets , By pallet)	

Options	Touch	Video / TV	Enhanced Panel	Others
	Resistive touch	SV + AV	Panel with LED backlight	Digital Signage (Stand alone)
	Capacitive touch	SV + AV + AV_Looping	High brightness panel	Networking Digital Signage
	SAW touch	SV + AV + TV	Wide Temperature	Motion Sensor
	Infrared touch		Sunlight Readable	Light Sensor
	Protected glass			Auto-Dimming

MECHANICAL DRAWING:



Note :
 (1) Unit : mm
 (2) Unspecified tolerances are +/- 0.5mm.