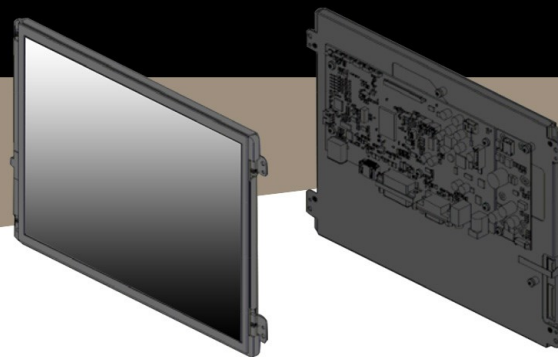


# TFT LCD TOUCH SCREEN DISPLAY MODULE

10.4" (1024x768) Digital TFT LCD Optical Bonding  
with 4W RTP(USB) 940nits

Model: FCOP1040XHB-OB-TR



## FEATURES:

- Aspect Ratio: 4:3
- Input Signal VGA / DVI-D / HDMI 1.3a
- Maximum Support Resolution 1920x1080
- Stereo Audio Amplifier, Output 2W@4Ω Speaker
- Audio Line-In
- 4 Wires Resistive Touch Panel
- 5 Key Buttons Controls
- 8 Language OSD Menu
- LED Backlight
- Wide Operation Voltage +11V ~ +28V

## LCD SPECS:

<b>LCD</b>	
Panel Size	10.4"
Resolution (Pixels)	1024x768
Color	262K
Luminance (RTP)	940 cd/m
Contrast Ratio	900
View Angle	75 / 75 / 75 / 75
LED Life Time	50K (Tpy.)
<b>POWER REQUIREMENT</b>	
Power Input (DC Jack 2.1Φ)	+11V ~ +28VDC
Power Consumption@+12V	9.37 Watts (@Without Amplifier)
<b>TOUCH SCREEN</b>	
Resistive Type	USB / RS232 Interface
Resistive Type Support OS	Windows / Linux / DOS / Mac / QNX
VGA	D-Sub 15
DVI	DVI-D
HDMI	1.3a
<b>AUDIO</b>	
Amplifier	1W@8Ω / 2W@4Ω
Line-In	Stereo Input Phone Jack Φ 3.5
<b>CONTROLS</b>	
Key	5 Buttons
Serial Remote Control	UART / RS232 (Option)
<b>ENVIRONMENT</b>	
Operating Temp. 4W RTP	-5~+60°C
Storage Temp. 4W RTP	-30~+70°C

# MECHANICAL DRAWINGS

