

# Military Grade Rack mount LCD/Keyboard/Trackball GMIL1-15 / GMIL1-17 / GMIL1-19 Series

## Overview

- ❖ Ultra-Low Profile 1U (1.75") Flip-up Display Enclosure
  - Rugged All-Metal Construction
  - Continuous Friction Hinges Pivot Display 90° - Spring Coil Latch Secures Display in Stowed Position
- ❖ Integral Keyboard/Trackball (Commercial, Industrial, Military)
- ❖ Low Power (+12 VDC) Consumption
- ❖ Total Design Control Facilitates Customization
- ❖ Promotes Configuration Control and Extended Product Life Cycle
- ❖ LCD Displays from 15.0" to 19.0" Diagonal Viewing Area
- ❖ Protective Glass Overlay with Sealed Gasket on Select Models
- ❖ High Performance LCD Controller
- ❖ Supports Resolutions up to 1280 x 1024 Pixels
- ❖ Supports Separate, Composite, Sync-On-Green and STANAG 3350 A S-O-G Analog Video
- ❖ Advanced Imaging Features
- ❖ Multitude of Keyboard/Pointing Devices Available (Commercial, Industrial, Military)
- ❖ Most Keyboard/Pointing Devices Meet Military Standards for Sealing and Shock/Vibration
- ❖ Several Models Customer Certified to MIL-STD-810 and TEMPEST Level 2
- ❖ Optional Support for NTSC, SECAM, PAL, S-Video and RS-170 Live Video
- ❖ Optional Support for DVI-A, DVI-D and DVI-I Analog, Digital and Integrated Video
- ❖ Freestanding and Rack Mount Power Supplies Available
- ❖ Cable Management System Available
- ❖ Optional Audio Add-on Board Provides Volume Control for Stereo Speakers
- ❖ Many More Options and Accessories Available

15"  
LCD



17"  
LCD



19"  
LCD



30081 Ahern Ave, Union City CA 94587  
Tel: 1-510-429-9288, 1-888-483-2418 Fax: 1-510-372-2736  
[www.i-techcompany.com](http://www.i-techcompany.com)

## Display

Series	Size (Diagonal)	Viewing Area (WxH)	Resolution (Pixels)	Num. Of Colors	Luminance (Max)	Contrast (Max)	Response Time (Rise/Decay)	Horizontal Viewing Angle	Vertical Viewing Angle	Shock	Vibration
Gmil1-15	15"	11.97" x 8.98"	1024x 768	16.7M	280 nits	500:1	7/23 ms	+/- 60°	+40°, -60°	50G, 6ms Sine Wave	2.0G (10-500 Hz)
Gmil1-17	17"	13.3" x 10.64"	1280 x 1024	16.7M	300 nits	700:1	2/6 ms	+/- 75°	+75°, -60°	50G, 11ms Sine Wave	1.5G (10-300 Hz)
Gmil1-19	19"	14.81" x 11.85"	1280 x 1024	16.7M	250 nits	600:1	13/7 ms	+/- 85°	85°	50G, 11ms Sine Wave	1.5G (10-300 Hz)

## Video Controller

V	Display Supported	640 x 400	640 x 480	720 x 400	800 x 600	1024 x 768	1280 x 1024	1600 x 1200	Scaling	NTSC/SECAM/PAL/RS-170	Video Supported
APV	15"/17"/19"/20"	70, 85 Hz	60, 67, 72, 75, 85 Hz	70, 85 Hz	56, 60, 72, 75, 85 Hz	60, 70, 72, 75, 85 Hz	60, 72, 75, 85 Hz	No	On/Off	Analog Processor, Picture-in-Picture	Separate, Composite, Sync-On-Green
DPV	15"/17"/19"/20"	70, 85 Hz	60, 67, 72, 75, 85 Hz	70, 85 Hz	56, 60, 72, 75, 85 Hz	60, 70, 72, 75, 85 Hz	60, 72, 75, 85 Hz	60, 70, 75, 85 Hz	On/Off	Digital Processor, Picture-in-Picture	Separate, Composite, Sync-On-Green
DPV-DVI	15"/17"/19"/20"	70, 85 Hz	60, 67, 72, 75, 85 Hz	70, 85 Hz	56, 60, 72, 75, 85 Hz	60, 70, 72, 75, 85 Hz	60, 72, 75 Hz	60 Hz	On/Off	Digital Processor, Picture-in-Picture	DVI-D, Separate, Composite, Sync-On-Green

## MTBF

Series	Display	Backlight	Inverter	Power Supply (Optional)
Gmil1-15	> 50,000 Hours	> 50,000 Hours (Typ.)	182,000 Hours	Depends on Supply Selected
Gmil1-17	> 50,000 Hours	> 50,000 Hours (Typ.)	182,000 Hours	Depends on Supply Selected
Gmil1-19	> 50,000 Hours	> 50,000 Hours (Typ.)	182,000 Hours	Depends on Supply Selected

## Environmental

Series	Operating Temp	Storage Temp	Operating Humidity	Storage Humidity	Operating Altitude	Storage Altitude
Gmil1-15	0°C to 50°C	-20°C to 60°C	20% to 85% RH Non-condensing	5% to 85% RH Non-condensing	10,000 feet	40,000 feet
Gmil1-17	0°C to 50°C	-25°C to 60°C	20% to 90% RH Non-condensing	5% to 90% RH Non-condensing	10,000 feet	40,000 feet
Gmil1-19	0°C to 50°C	-20°C to 60°C	20% to 95% RH Non-condensing	5% to 95% RH Non-condensing	10,000 feet	40,000 feet

30081 Ahern Ave, Union City CA 94587

Tel: 1-510-429-9288, 1-888-483-2418 Fax: 1-510-372-2736

www.i-techcompany.com

## Mechanical

Series	Dimensions(H x W x D)	Construction	Finish	Operating weight	Shipping Weight
Gmil1-15	1.75"(1U) x19"x20"	5052-H32 Aluminum/Steel	Black matte powder coat & clear iridite	20-22 lbs	28-30 lbs
Gmil1-17	1.75"(1U) x19"x20"	5052-H32 Aluminum/Steel	Black matte powder coat & clear iridite	22-24 lbs	30-32 lbs
Gmil1-19	1.75"(1U) x19"x20"	5052-H32 Aluminum/Steel	Black matte powder coat & clear iridite	22-24 lbs	30-32 lbs

## I/O Connections

Power (DC)	Analog video	Keyboard/Pointing Device	On/Standby (DC)	S-Video (Optional)	Composite Video (Optional)	Audio (Optional)
6-pin circular, locking	High density 15-pin socket	6-pin mini DIN	Membrane pad	4-pin mini DIN	BNC socket	3.5mm headphone jack

## Other Options & Accessories (ordered separately – please call for detail)

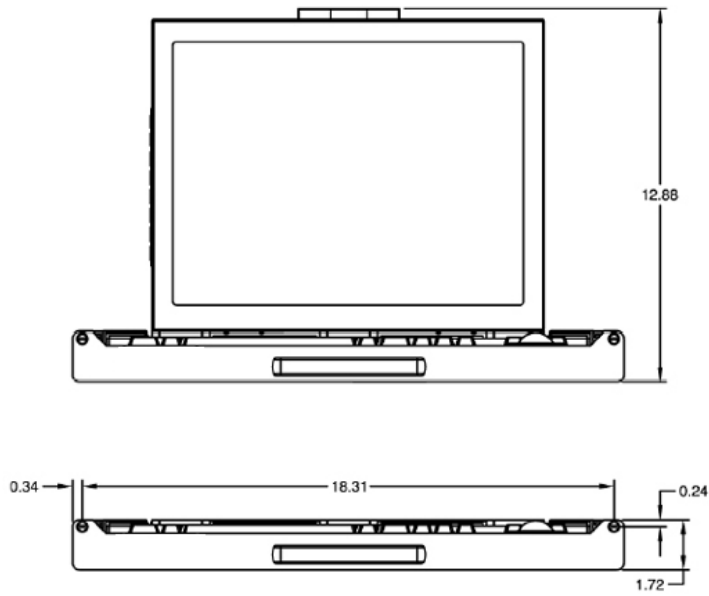
Optical Bonding	Bonding of filter and display using indice-matched optical materials
Video Accessories	Video cables, signal extenders, cable adaptors (HD 15-pin, 13W3 [SUN], BNC), NTSC/PAL support, picture-in-picture, SXGA support
Remote Control	IR or serial calibration/control interface
Customization	Custom mechanical and electrical modifications, custom paint

## Pictures

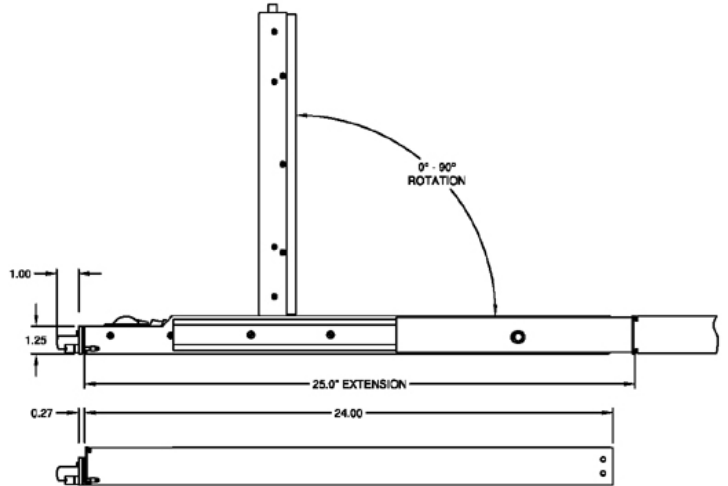
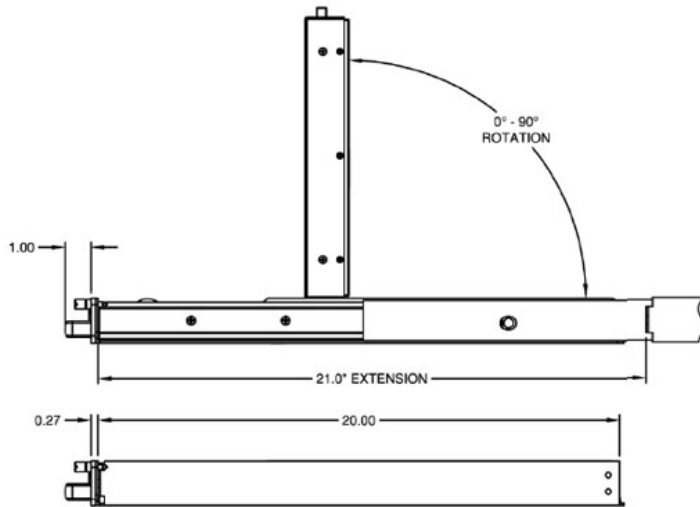
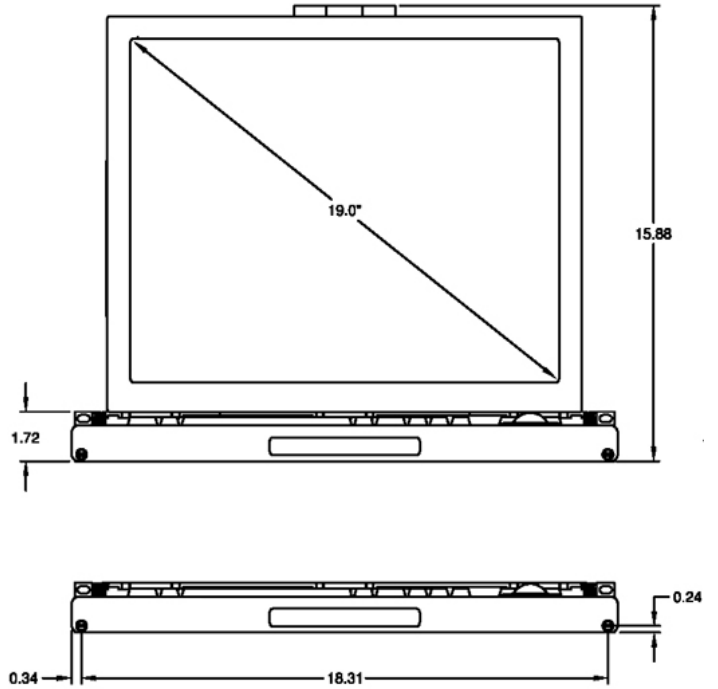


# Mechanical Drawing

## 15" Series



## 19" Series



**I-TECH**  
**COMPANY**  
[www.i-techcompany.com](http://www.i-techcompany.com)  
Toll Free: 1-888-483-2418  
USA: 1-510-429-9288  
Fax: 1-510-372-2736

30081 Ahern Ave, Union City CA 94587  
Tel: 1-510-429-9288, 1-888-483-2418 Fax: 1-510-372-2736  
[www.i-techcompany.com](http://www.i-techcompany.com)