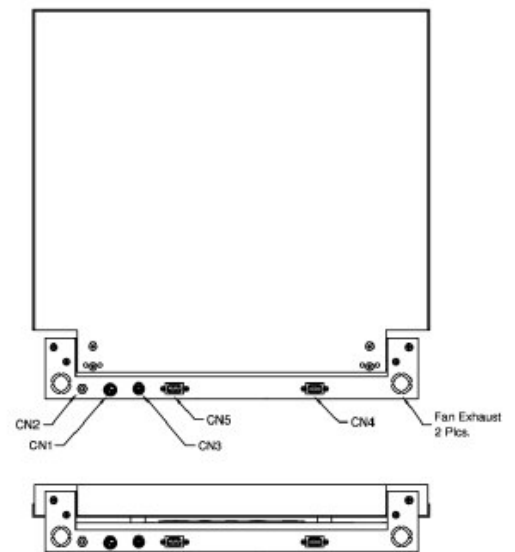
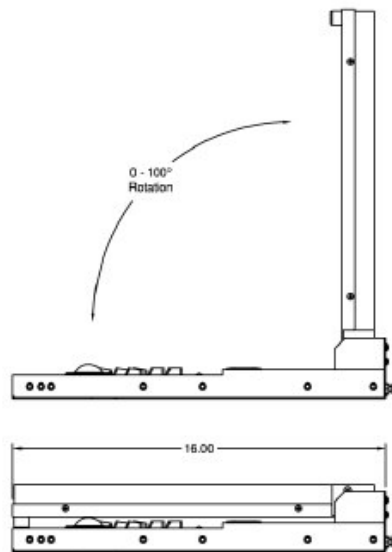
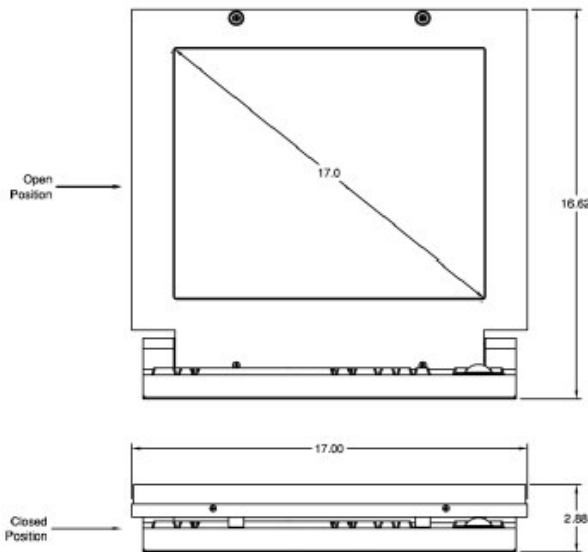
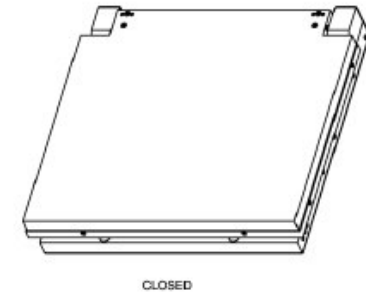
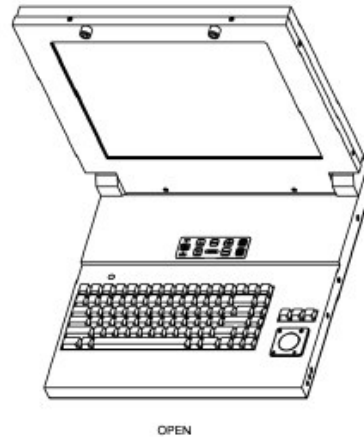
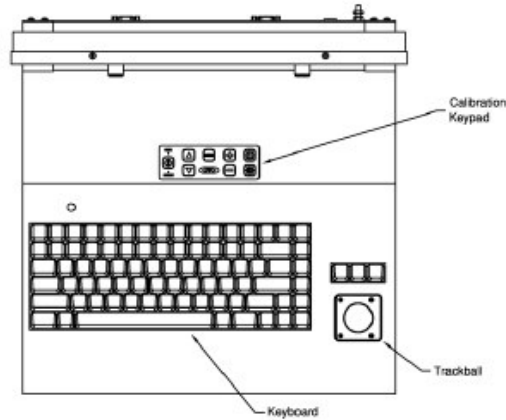


GMIL2-17-APV-B-P-02-0092



NOTE: THE CONFIGURATION DEPICTED IS ACCURATE FOR THE FOLLOWING KEYBOARDS (see): 51, 52, 53, 54 & 55.

i-TECH COMPANY
www.i-techcompany.com
 Toll Free: 1-888-483-2418
 USA: 1-510-429-9288
 Fax: 1-510-372-2736

CONNECTOR CHART			MECHANICAL OUTLINE ONLY SPECIFICATIONS SUBJECT TO CHANGE WITHOUT NOTICE	
DESIGNATION	FUNCTION	TYPE	APPROVALS	DATE
CN1	+12 VDC INPUT	3-PIN KYCON	DRAWN	01-Aug-02
CN2	GROUND STUD	10-32 UNF-2A	CHECKED	01-Aug-02
CN3	KEYBOARD	6-PIN MINI DIN	T.R.	01-Aug-02
CN4	ANALOG VIDEO INPUT	DE-15-S	APPROVED	01-Aug-02
CN5	SERIAL INPUT	DE-9-P	B.G.	01-Aug-02
			DO NOT SCALE DRAWING	

i-Tech Company

SlimLine Lite II
 17.0" SXGA Flat Panel Monitor

B	CAGE CODE	DWG. NO.	REV
	1JA77	02-27	-