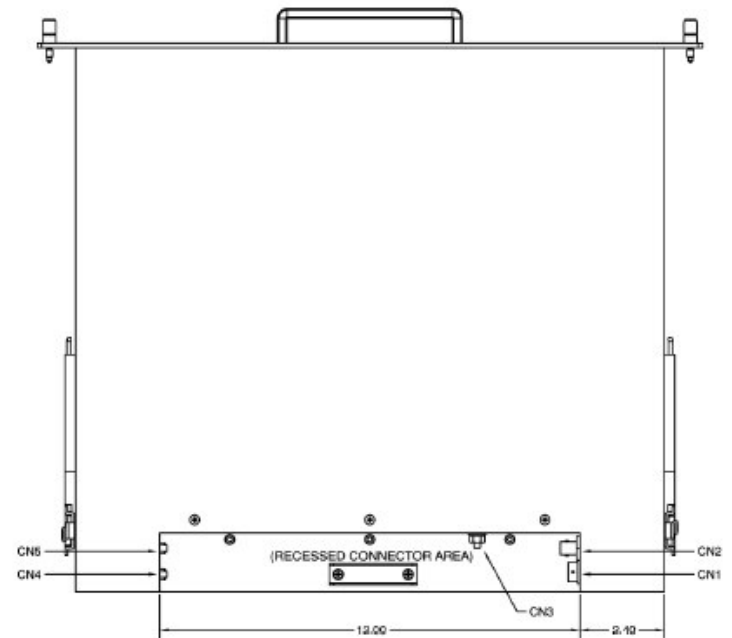
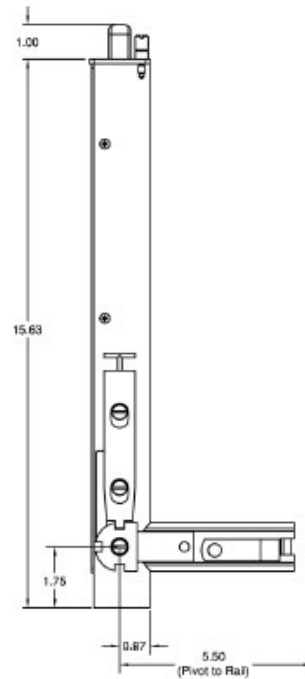
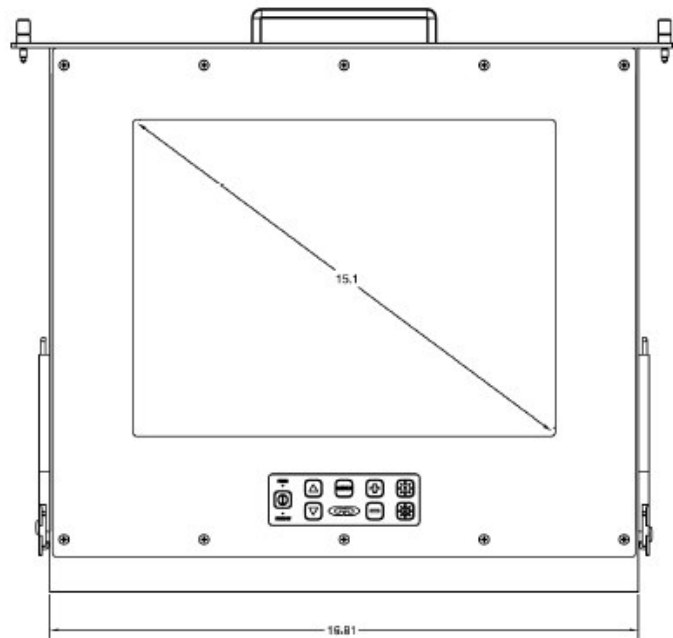
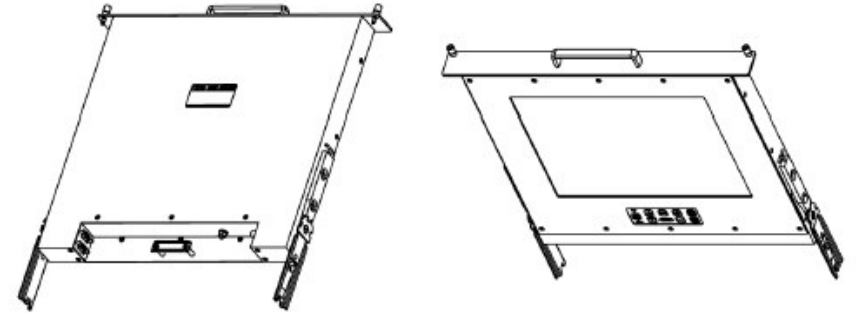
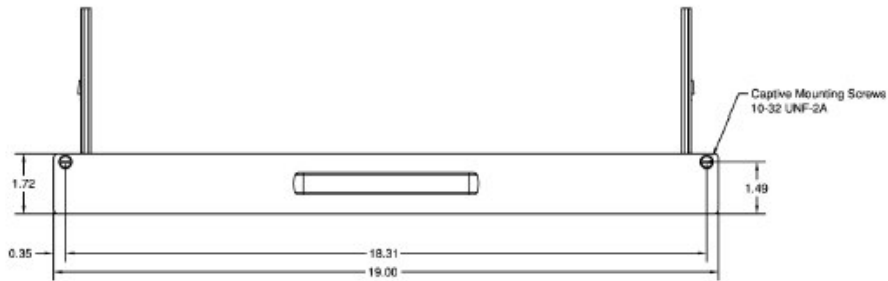


# GMILRP1-15-APV-0092



NOTE: The Monitor is shown oriented in the "Pivot-Up" position (Standard configuration).  
Optionally, the Monitor can be configured in the "Pivot-Down" position upon request.

gg - Will support a stepped filter only.

**i-TECH COMPANY**  
www.i-techcompany.com  
Toll Free: 1-888-483-2418  
USA: 1-510-429-9288  
Fax: 1-510-372-2736

CONNECTOR CHART			MECHANICAL OUTLINE ONLY SPECIFICATIONS SUBJECT TO CHANGE WITHOUT NOTICE	
DESIGNATION	FUNCTION	TYPE	APPROVALS	DATE
CN1	+12 VDC INPUT	6-PIN HIROSE	DRAWN	
CN2	COMPOSITE VIDEO INPUT (Opt)	BNC STYLE	C.P.	26-Sep-02
CN3	GROUND STUD	10-32 UNF-2A	CHECKED	
CN4	ANALOG VIDEO INPUT	DE-15-S	T.R.	26-Sep-02
CN5	SERIAL INPUT (Opt)	DE-9-P	B.G.	26-Sep-02
			DO NOT SCALE DRAWING	

**i-Tech Company**

Rack Hinge 1U  
15.1" XGA Flat Panel Monitor

<b>B</b>	CAGE CODE	DWG. NO.	REV
	1JA77	02-35	-