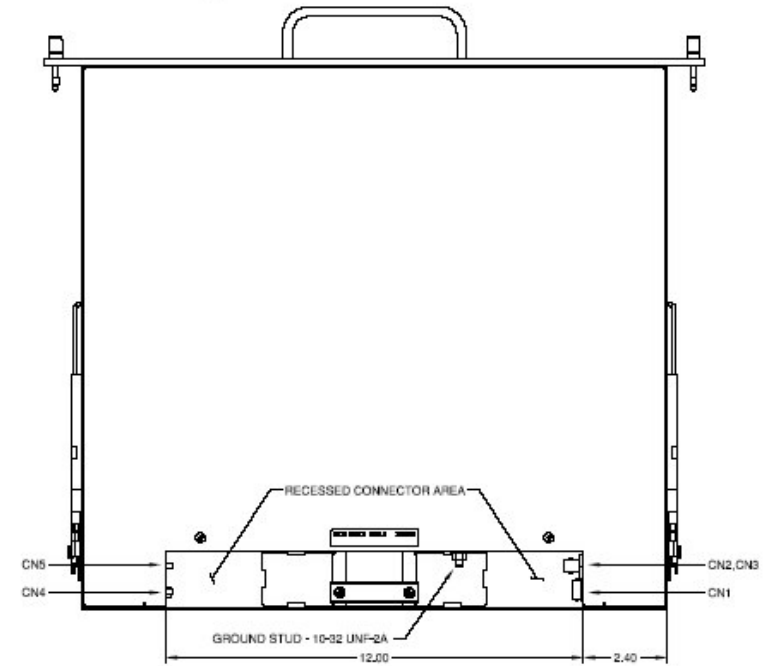
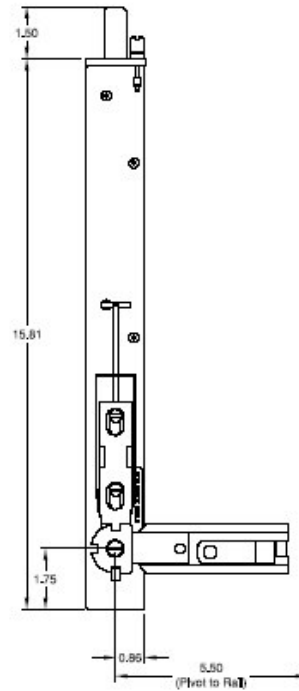
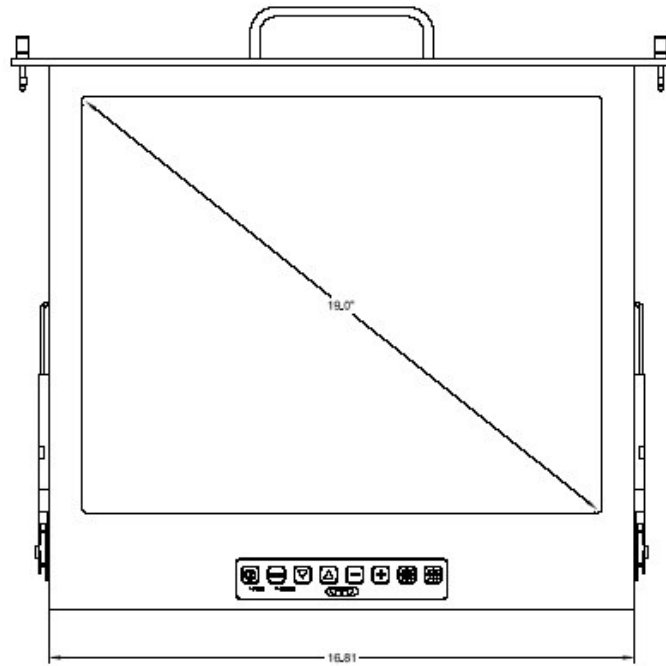
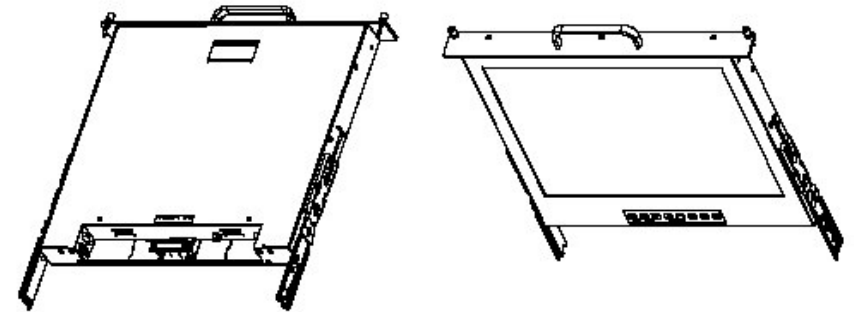
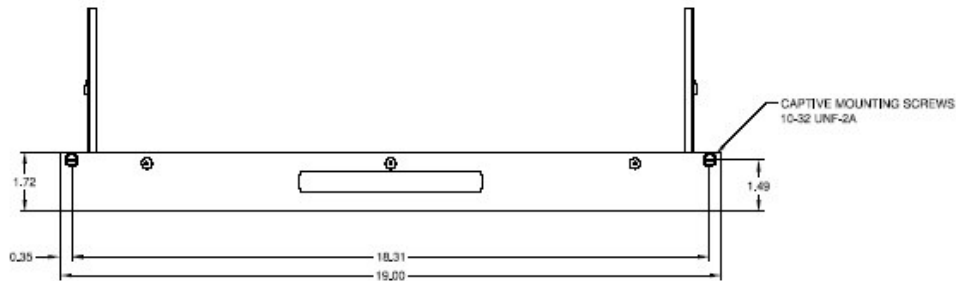


GMILRP1-19-APV-0092



i-TECH COMPANY
www.i-techcompany.com
 Toll Free: 1-888-483-2418
 USA: 1-510-429-9288
 Fax: 1-510-372-2736

CONNECTOR CHART			MECHANICAL OUTLINE ONLY. SPECIFICATIONS SUBJECT TO CHANGE WITHOUT NOTICE. U.O.S. ALL DIMENSIONS ARE IN INCHES.	
DESIGNATION	FUNCTION	TYPE		
CN1	+12 VDC INPUT	6-PIN HIROSE	APPROVALS	DATE
CN2	COMPOSITE VIDEO INPUT (Opt)	BNC STYLE	DRAWN C.P.	03-Nov-04
CN3	STEREO INPUT (Opt)	1/8" STEREO JACK	CHECKED T.R.	03-Nov-04
CN4	ANALOG VIDEO INPUT	DE-15-S	APPROVED B.G.	03-Nov-04
CN5	SERIAL INPUT (Opt)	DE-9-P	DO NOT SCALE DRAWING	

i-Tech Company

RACK HINGE 1U 19.0" SXGA FLAT PANEL MONITOR		
B	CAGE CODE	DWG. NO.
	1JA77	04-25
	REV	A