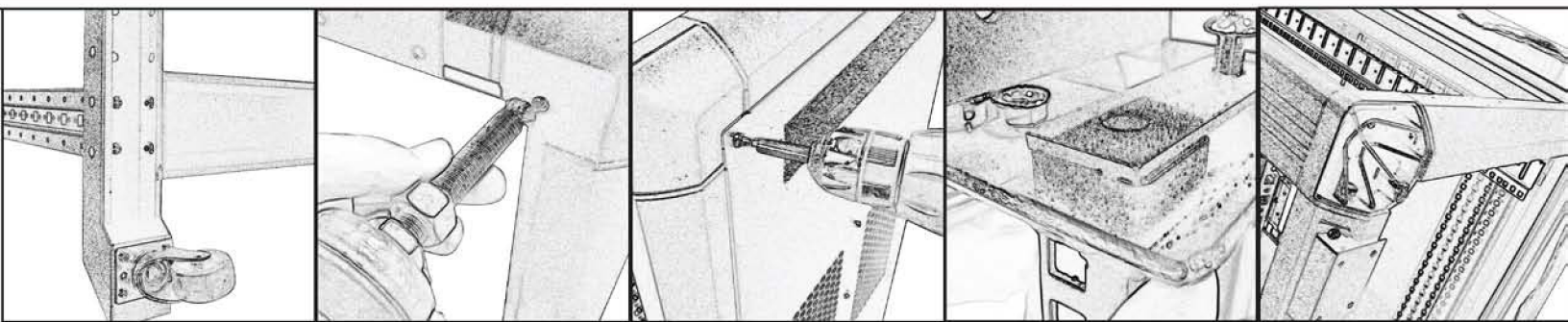




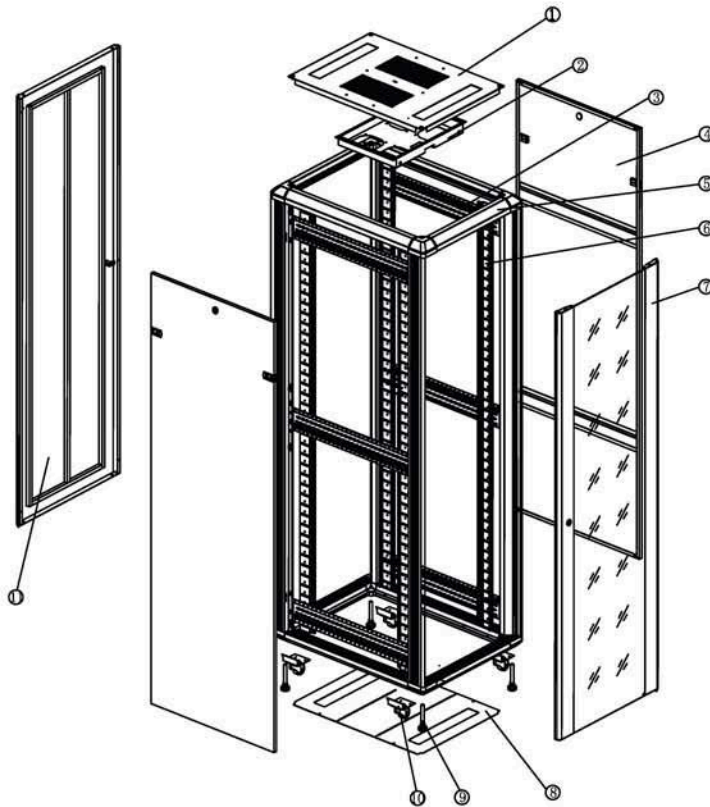
W

CABINET SERIES
DIY MANUAL



**i-TECH
COMPANY**
www.i-techcompany.com
Toll Free: 1-888-483-2418
USA: 1-510-429-9288
Fax: 1-510-372-2736

W Cabinet Quick Installation Guide



- 1. Top cover
- 2. Fan tray
- 3. Mounting angle
- 4. Side door
- 5. Aluminum profiled bare
- 6. Mounting rail
- 7. Front door
- 8. BOTTOM Plate
- 9. Feet
- 10. Heavy duty castor
- 11. Vented rear door

Overall assembly diagram

Step 1

Check the package contents.
Open all three shipping cartons and carefully remove all items.



- BOX 1: Two side frames with side panels.
- BOX 2: Two door frames with locks and keys.
- BOX 3: Three piece base panels, One piece top panel with two AC cooling fans, Four cross bars, One rackmount AC power strip, One accessories box.

BOX 1



3 bottom panels



BOX 2



1 top panel



BOX 3



4 cross bars



Accessories box contain:



One powercord



Four steel iron casters



Four floor leveling feet



Eight corner caps



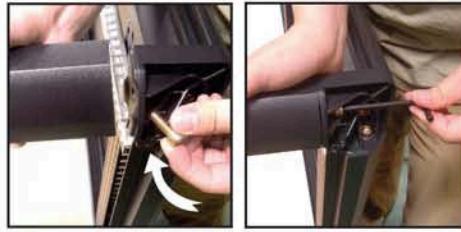
Two screw packs with One allen Ranch



Step 2

Beginning assemble the cabinet by holding up 1 side frame horizontally and install 4 cross bars.

8 screws needed



Step 3

Lay the frame flat and place 2nd side frame on top and secure all cross bar.



Step 4

Install 8 corner caps on top and bottom of cabinet.

8 screws needed



Step 5

Install 4 iron castors.

16 screws needed



Step 6

Install 4 floor leveling feet with nuts on each end.



Step 7

Install top panel with AC fans.

4 screws needed



Step 8

Carefully lift up cabinet.



Step 9

Place 3 base panels on the bottom of cabinet and secure with 8 screws.

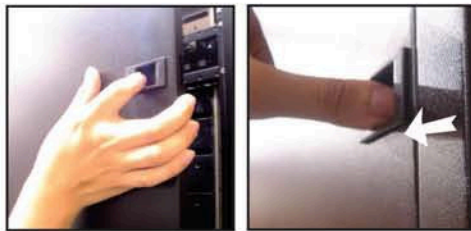


8 screws needed



Step 10

Install the side panel on the cabinet by push the latch inward on the panel.



Step 11

Install front and rear door pin on the bottom of cabinet.



2 pins needed



Step 12

Match the bottom pin then pull top latch to install the door.



Step 13

Lift and turn the door lock to open and close the front and rear door.

