

## 2U TFT-LCD 17" Bi-Level LCD Console Drawer

# SERVIS™ DRAWER

### FD-M000MT Series

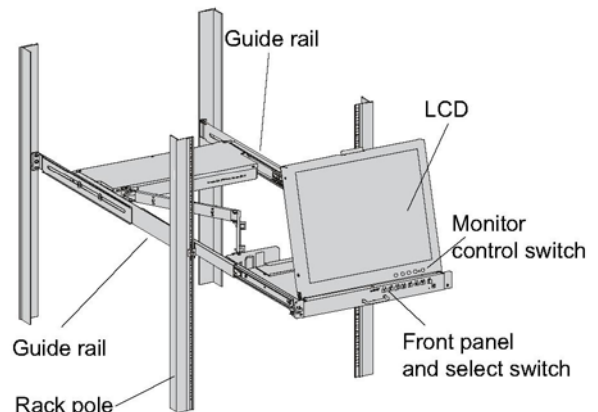
The SERVIS™ Drawer offers the latest, comfortable and efficient way to control server cabinets for Reliability, Availability, and Serviceability. The drawers provide efficient, simultaneous/continuous monitoring, operation and control.



#### ■ FEATURES

- Flat modular construction for 19-inch 1U rack  
This 2U Bi-Level console drawer consists of a Monitor Drawer and a Keyboard Drawer; each drawer works independently.
- Simultaneous/continuous monitoring:  
Simultaneous/Continuous monitoring is the concept of an open LCD display that is positioned flat against the rack front. While the Keyboard Drawer is not used and closed in the rack, monitoring can be continuous without any protruding drawer, since the monitor is flat against the rack front. In case the optional Multi-KVM Monitor Drawer is used, each server can be monitored and controlled easily via a drawer front switch while using simultaneous/continuous monitoring.
- A 17-inch 1280 x 1024 high resolution SXGA TFT color LCD
- Both Separate Sync and Composite Sync video signal are supported.
- Full-size desktop keyboard and 3-button wheel mouse are used.
- Monitor Drawer without KVM comes with space for field-installable 4-port Multi-KVM.
- Optional built-in 8 or 16-port KVM drawer model available
  - Interface support: PS/2, USB, Sun USB and Sun I/O
  - On Screen Display (OSD) function  
In Hot key mode, the selection screen is displayed on the monitor.  
This display lets you assign names of Servers/PCs and select Servers/PCs using the cursor key.
  - Hot Key: Any server/PC is selected by the keyboard directly.
- Quick and easy installation.  
3 kinds of guide rails are available separately to meet the customer's rack configurations. AC power cable for Monitor drawer must be purchased separately.

#### Monitor Drawer (KVM built-in type)



Example: FD-M008MT



LAMP(S) INSIDE THIS PRODUCT CONTAIN MERCURY AND MUST BE RECYCLED OR DISPOSED OF ACCORDING TO LOCAL, STATE OR FEDERAL LAWS.



# 2U Bi-Level FD-M000MT SERVIS Drawer

## ■ SPECIFICATIONS: MONITOR DRAWER

Model		FD-M000MT	FD-M008MT	FD-M016MT	
Part number		NC14010-B601/BU R	NC14010-B611/BU R	NC14010-B621/BU R	
19-inch rack space requirement		1U			
Monitor	LCD display	17" SXGA TFT color LCD			
	LCD resolution	1280 x 1024			
	LCD supported video signal (H, V sync. signal)	Analog RGB: Separate Sync. / Composite Sync.			
	Monitor switch control	Power	1		
		Menu/enter	1		
		Right	1		
		Left	1		
Auto/exit		1			
Monitor cable	Length	2m			
	Connector	Mini D-Sub 15pin (male)			
KVM	Supported PC server	-	Servers with PS/2, USB Sun USB, and Sun I/O		
	Number of server connections (max. number in cascade connections)	-	8 units (64 units, cascaded by 8 Fujitsu 8-port multi-KVMs)	16 units (256 units, cascaded by 16 Fujitsu 16-port multi-KVMs)	
	Selection mode	-	Hot keys, OSD, select switch		
	Front panel switch	Select switch	-	8	16
		Auto scan switch	-	1	1
		Reset switch	-	1	1
	LED indicator	Power	-	8	16
		Select	-	8	16
	Console port with interface	Keyboard	-	PS/2 Mini Din 6-pin (female) x1	
		Mouse	-	PS/2 Mini Din 6-pin (female) x1	
		Monitor	-	Mini D-Sub 15 pin (female) x 1: To be connected monitor cable	
	Supported interface for cascaded server	Keyboard	-	PS/2 keyboard compliant	
		Mouse	-	PS/2 mouse compliant	
		USB	-	USB 1.1 compliant	
		Sun I/O	-	Sun keyboard / mouse compliant	
Server cascade port	-	Mini D-Sub 15 pin (female) x 8	Mini D-Sub 15 pin (female) x 16		
OSD	-	Hot key mode/ auto scan mode			
Power supply		AC100 - 240 V / 0.6 - 0.32A / 50-60Hz	AC100 - 240 V / 0.9 - 0.5A / 50-60Hz		
Operating environment		5 to 35°C			
Storage environment		0 to 50°C			
Dimensions (main unit)	in cabinet	447 (W) x 600 (D) x 42 (H) mm (in storage cabinet) 447 (W) x 1,080 (D) x 42 (H) mm (extended from storage cabinet)			
	in use	447 (W) x 1,080 (D) x 380 (H) mm (in use including monitor handle)			
Weight (main unit)		13Kg (typ.)	13.5 Kg (typ.)		
Color		Black			

# 2U Bi-Level FD-M000MT SERVIS Drawer

## ■ SPECIFICATIONS: KEYBOARD DRAWER

Product name		Servis™: 2U Bi-Level drawers: for "Keyboard Drawer"	
Model		FD-K000AT	FD-K000AU
Part number		NC14010-B631/BU R	NC14010-B641/BU R
19-inch rack space requirement		1U	
Support model		PS/2	USB
Key-board	Interface	PS/2	USB
	Key #	Fullsize compact 101 key layout (USA)	
	Power consumption	DC 5V 100 mA (max.)	
Mouse	Interface	PS/2 supported by USB - PS/2 conversion by cable	USB
	Key #	3-button wheel type	
	Power consumption	DC 5V 100 mA (max.)	
Operating environment		5 to 35°C	
Storage environment		0 to 50°C	
Dimensions (main unit)	in cabinet	445.4 (W) x 556 (D) x 40.5 (H) mm (in storage cabinet)	
	in use	445.4 (W) x 1,086 (D) x 40.5 (H) mm (in storage cabinet)	
Weight (main unit)		6.5Kg (typ.)	

Note: PS/2 model is only effective for the 8-, 16-port KVM built -in model.

## ■ OPTIONAL ACCESSORIES

Name	Part Number	Notes
AC Power Cable for USA (2m)	NC14004-B074 R	for main unit
AC Power Cable for Europe, Asia (2m)	NC14004-B075 R	for main unit
AC Power Cable for UK (2m)	NC14004-B076 R	for main unit
<b>Guide rail for main unit to 19" standard rack</b>		
Standard inside mounted guide rail	NC14003-T591 R	ANSI/EIA-310-D M6 for oblong hole rack
Outside mounted guide rail	NC14003-T592 R	ANSI/EIA-310-D M5 or M6 tapped rack installation (hole)
Side mounted guide rail	NC14003-T593 R	ANSI/EIA-310-D for side post fixed rack

Item	Part Number	Description	
Optional Interface Cables	PS/2	NC14000-B602 R	1.8m cable
		NC14000-B603 R	3.0m cable
		NC14000-B605 R	5.0m cable
	USB	NC14000-B102 R	1.8m cable
		NC14000-B103 R	3.0m cable
		NC14000-B105 R	5.0m cable
	SUN MD8	NC14000-B202 R	1.8m cable
		NC14000-B203 R	3.0m cable
		NC14000-B205 R	5.0m cable

# 2U Bi-Level FD-M000MT SERVIS Drawer

## ■ SERVIS Families

<b>Analog KVM</b>			
Model/Series		Part Number	Description
SERVIS MULTI: FS-1000MT series	4-port KVM (FS-1004MT)	NC14004-B042 R	4-port multi-KVM switch for PS/2, USB, Sun I/O & USB
	8-port KVM (FS-1008MT)	NC14004-B082 R	8-port multi-KVM switch for PS/2, USB, Sun I/O & USB
	16-port KVM (FS-1016MT)	NC14004-B162 R	16-port multi-KVM switch for PS/2, USB, Sun I/O & USB
<b>DRAWER</b>			
Model/Series		Part Number	Description
SERVIS LCD Drawer: FD-1000AT	Basic model	NC14004-B402/US R	15" AT Console drawer, US version (LCD: XGA, Input Device I/F: PS/2)
	with built-in 8-port Multi-KVM	NC14004-B412/US R	15" AT Console drawer, US version with 8-port multi-KVM pre-installed (LCD:XGA)
	with built-in 16-port Multi-KVM	NC14004-B422/US R	15" AT Console drawer, US version with 16-port multi-KVM pre-installed (LCD:XGA)
SERVIS LCD Drawer: FD-1000MT	Basic model	NC14010-B452/US	R 17" Console drawer, US version (LCD: SXGA, Input Device I/F: Multi-interface)
	with built-in 8-port Multi-KVM	NC14010-B462/US R	17" Console drawer, US version with 8-port multi-KVM pre-installed (LCD: SXGA)
	with built-in 16-port Multi-KVM	NC14010-B472/US R	17" Console drawer, US version with 16-port multi-KVM pre-installed (LCD: SXGA)
SERVIS LCD Drawer: FD-M000 (2U bi-Level type)	Basic monitor drawer	NC14010-B601/BU R	17" LCD monitor drawer (LCD: SXGA)
	with built-in 8-port Multi-KVM	NC14010-B611-BU R	17" LCD monitor drawer with 8-port multi-KVM pre-installed (LCD: SXGA)
	with built-in 16-port Multi-KVM	NC14010-B621-BU R	17" LCD monitor drawer with 16-port multi-KVM pre-installed (LCD: SXGA)
	Keyboard drawer PS/2	NC14010-B631/BU R	PS/2 keyboard drawer with full size desktop keyboard & 3-button wheel mouse
	Keyboard drawer USB	NC14010-B641/BU R	USB keyboard drawer with full size desktop keyboard & 3-button wheel mouse
<b>Cat5 Extender</b>			
Model/Series		Part Number	Description
Cat5 Wide Band: FE-1000CW series		NC14004-B721/U R	300 m Cat5 Extender Kit of local and remote units (supporting up to 300m at XGA/XSGA, up to 200m at UXGA), remote unit to be console port only, compact size: 110 (W )x100 (D) x 25 (H)mm
Cat5 Wide Band: FE-2000CW series		NC14004-B717/U R	300 m Cat5 Extender Kit of local and remote units (supporting up to 300m at XGA/XSGA, up to 200m at UXGA), remote unit to be console port only, support audio and touchpanel (RS232: TxD, RxD only)

# 2U Bi-Level FD-M000MT SERVIS Drawer

## ■ SERVIS Families

<b>Multi User KVM</b>			
Model/Series		Part Number	Description
Multi-user KVM FS-8000 series	Main unit (FS-8032MM)	NC14011-B181/U R	Multi-user KVM main switching unit, shared by 8 users, and switching 32 server units, supports up to 1600 x 1200 graphic resolution
	User console unit	NC14011-B110/U R	Remote console unit over Cat5, supporting up to 300m remote operation at XGA/XSGA, up to 200m remote operation at UXGA
	Server unit	NC14011-B101 R	PS/2 Interface server control unit
		NC14011-B102 R	Regular USB Interface server control unit
		NC14011-B103 R	Sun MD 8 pin Interface server control unit
NC14011-B104 R		Sun USB Interface server control unit	
<b>IP-KVM</b>			
Model/Series		Part Number	Description
IP KVM FX-7000NP series	1 port	NC14008-B032RS R	Supports up to 1600 x 1200 graphic resolutions, Virtual CD ROM function, Dual power supply
<b>IP-Serial Console Switch</b>			
Model/Series		Part Number	Description
Serial Console FX-3000SR series	1 port	NC14008-B027RS R	Serial Control (RS232C) over IP, compact size: 110(W) x 114(D) x 32(H)mm.