

IP KVM Switch

SERVIS™ FX-7000NP series

NC14008-B032RS R

Graphical User Interface - GUI



The expanded SERVICE™ family enables users to remotely control computers or access KVM switches over IP with higher resolution and smoother operation than previously available. With over 30 years of input device engineering and development and a broad range of other products in many other industries, Fujitsu's quality products are market proven and recognized worldwide.



■ FEATURES

- Enables remote management from anywhere in the world over IP
- Additional local console connection provided:
 - Direct console management can be made anytime, even while the network is down.
- Advantage of hardware:
 - Unlike software-based products, such as a remote desktop, keyboard and mouse operations are smooth. It is capable of remote access on the BIOS level, which is impossible with software products. This enables server management at the essential level.
 - Dual power options concepts for safety back-up
- REMOTE CONSOLE:
 - Operation by JAVA applet on the web browser.
 - No OS or Browser restriction
 - High Quality Video Operation supported: Up to UXGA (1600 x 1200)
 - Modified key layouts such as "Ctrl + Alt + Del", are prepared in English, Japanese, German, and Korean and unique keys for SUN operation are selectable in the virtual key window.
- Available Virtual Disk Function:
 - Virtual Floppy Disk and RAM Disk: An area recognized as a 1.44 Mbytes Floppy Disk or 8M bytes RAM Disk by the Host Computer is created in the internal memory of this product. This enables data exchanges between the remote console and the host.
 - Virtual CD-ROM: When an image file server (http) which is located on the network to which this product is connected, it enables the host computer to recognize the ISO image file stored in it as a virtual CD-ROM. This allows control of application version updates and reinstallation of OS from the remote console.
- NETWORK
 - Superior high performance operation is achieved by unique algorithm in the firmware: Data Transmission rate is automatically set for the best condition, subject to the network condition.
 - Operable even within a small bandwidth: Operation is possible with a minimum 64Kbps between this product and a remote console. If 400Kbps can be achieved, a comfortable operation can be realized.
 - Manual setting of the data transmission is made: This product is equipped with the function to restrict the usable bandwidth, thus enabling the effective utilization of customer network assets
 - 5 users can be registered, including administrator
- Highly Secured:
 - Communication with the remote console via SSL encryption path (128-bit SSL) prevents leakage from external points.
 - Remote connection controlled by access authentication method: Authentication is controlled by user name and password during log on.
 - Access is restricted by simple firewall function
- Very easy to install and operate
- RoHS compliant

FX-7000NP Series

■ SPECIFICATIONS

Model / Series		FX-7000NP series
Part Number		NC14008-B032RS R
Connected Quantities		1
Number of Concurrent Connections		Network Connection: 5 (1 user allowed to operate). Local: 1 user (Local user controls exclusively)
CPU	Type	32bit CPU
	Clock	200MHz
Memory	Main	32MB
Ethernet	Type	10BASE-T, 100BASE-TX
	Supported Protocol	UP, ICMP, TCP, UDP, DTP, DHCP, VNC, VNCS (ssh tunneled VVNC), HTTP, HTTPS, SYSLOG, DNS, SSL, SSH
	Security	SSL, (RC4, MD5), SSH, Firewall
Console	Type	Signal Standard: RS-232C
	Supported Speed	115.2 kbps
Connector	Ethernet	RJ45 x 1
	Console	RJ45 x 1
	Local	D-sub15 x 1, Mini-DIN6 x 2
	Server	D-sub15 x 1, Mini-DIN8 x 1, USB x 1
	Power	5 VDC Power Adaptor x2 (redundant power supply supported)
Supported Video Resolution (Server)	640 x 480 (60Hz, 72Hz, 75Hz, 85Hz)	
	800 x 600 (60Hz, 72Hz, 75Hz, 85Hz)	
	1024 x 768 (60Hz, 70Hz, 75Hz, 85Hz)	
	1152 x 864 (75Hz)	
	1280 x 960 (60Hz, 85Hz)	
	1280 x 1024 (60Hz, 75Hz, 85Hz)	
	1600 x 1200 (60Hz)	
Virtual Storage (USB disk)	1.44M floppy disk	
	8MB RAM disk	
	CD-ROM (iso files)	
Rack Mount	Supports 1U kit (parallel configurations of 2 devices are available)	
Configuration	Metal case, black coating	
Power Supply /Consumption	5 VDC /2A (AC adaptor)	
Operating Temperature	0 to 40°C	
Storage Temperature	-20 to 60°C	
Dimension	193 (W) x 124 (D) x 40 (H) mm	
Weight	785g (main unit only)	

Accessories included:

AC adaptor (without AC cable): NC14003-T055 R - x1

Manual (CD) x1

Cross conversion adaptor between RJ 45 & D-sub 9-pin: NC14008-B111RS R - x1

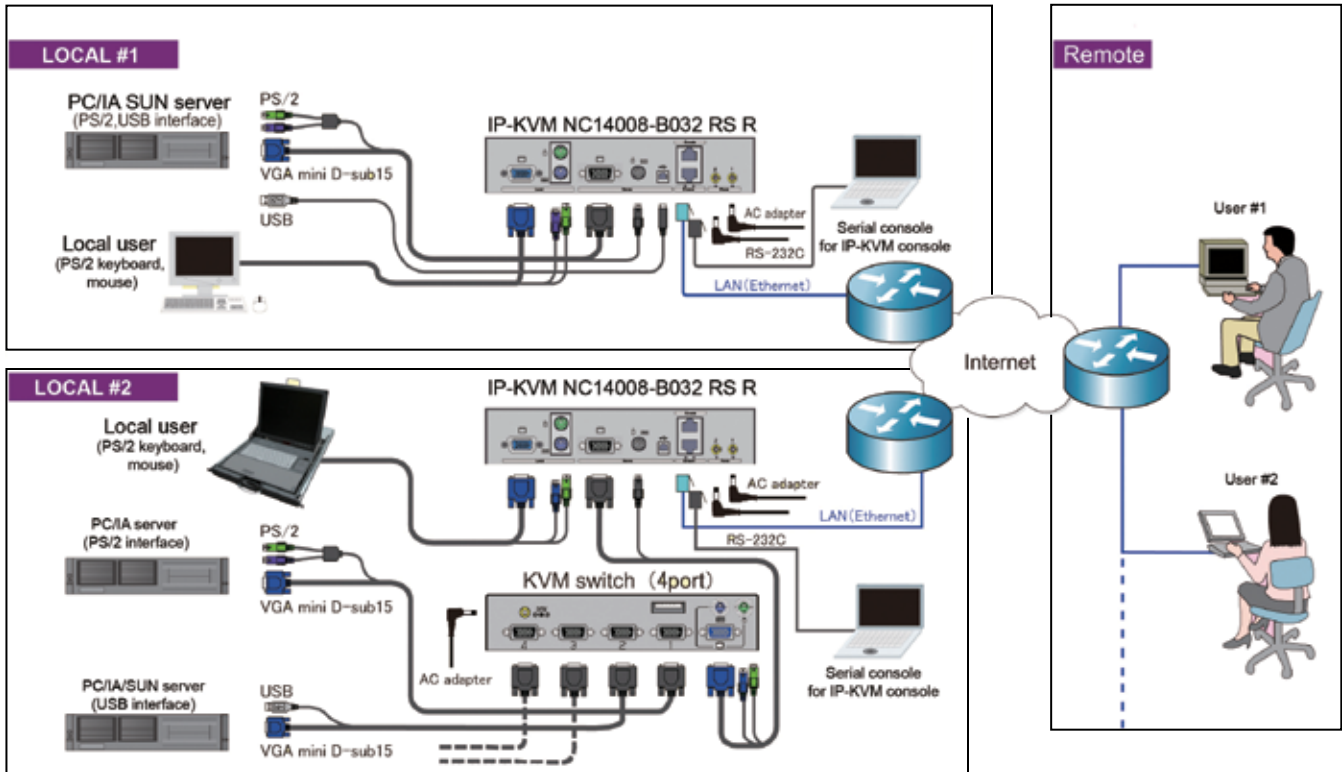
Rubber feet x 4

PS/2 interface cable: NC7005-2001RS R - x1

USB cable: NC7002-2001RS R - x1

FX-7000NP Series

■ CONNECTION EXAMPLE



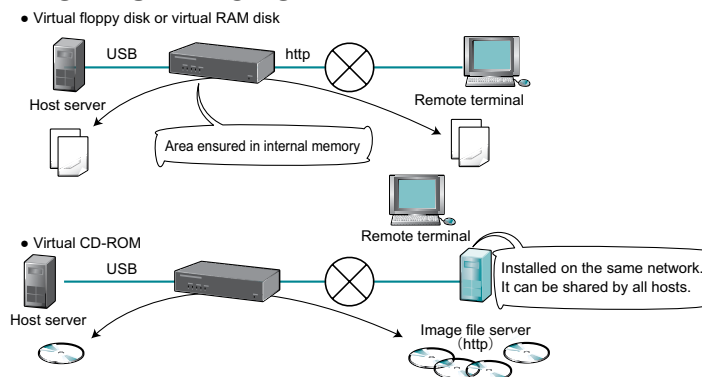
■ OPTIONAL ACCESSORIES

Name	Part Number
KVM Composite Cable (PS2) 2m	NC70005-2001RS R*
KVM Composite Cable (PS2) 3m	NC70005-3001RS R
KVM Composite Cable (PS2) 5m	NC70005-5001RS R
USB Cable 2m	NC70002-2001RS R*
USB Cable 3m	NC70002-3001RS R
USB Cable 5m	NC70002-5001RS R
RJ-45-D-Sub 9-pin Cross Conversion Adaptor	NC14008-B111/RS R* replaces: NC14008-B071/RS R
RJ-45-D-Sub 25-pin Cross Conversion Adaptor	NC14008-B112RS R replaces: NC14008-B072/RS R

Name	Part Number
AC Adaptor (cable not included)	NC14003-T055 R
AC Power Cable for USA (2m)	NC14004-B074 R
AC Power Cable for Europe, Asia (2m)	NC14004-B075 R
AC Power Cable for UK (2m)	NC14004-B076 R
AC Adaptor Cable for USA (1m)	NC14004-B077 R
AC Adaptor Cable for Europe, Asia (1m)	NC14004-B078 R
AC Adaptor Cable for UK (1m)	NC14004-B079 R
Rack Mount Kit for NC14008-B032RS R	NC14004-T372 R

Note: * includes one each when ordered with NC14008-B112RS-R

■ IMAGE OF VIRTUAL DISK FUNCTIONS



FX-7000NP Series

■ SERVIS PRODUCT FAMILY

Analog KVM			
Model/Series		Part Number	Description
SERVIS MULTI: FS-1000MT series	4-port KVM (FS-1004MT)	NC14004-B042 R	4-port multi-KVM switch for PS/2, USB, Sun I/O & USB
	8-port KVM (FS-1008MT)	NC14004-B082 R	8-port multi-KVM switch for PS/2, USB, Sun I/O & USB
	16-port KVM (FS-1016MT)	NC14004-B162 R	16-port multi-KVM switch for PS/2, USB, Sun I/O & USB
DRAWER			
Model/Series		Part Number	Description
SERVIS LCD Drawer: FD-1000AT	Basic model	NC14004-B402/US R	15" AT Console drawer, US version (LCD:XGA, Input Device I/F: PS/2)
	with built-in 8-port Multi-KVM	NC14004-B412/US R	15" AT Console drawer, US version with 8-port multi-KVM pre-installed (LCD:XGA)
	with built-in 16-port Multi-KVM	NC14004-B422/US R	15" AT Console drawer, US version with 16-port multi-KVM pre-installed (LCD:XGA)
SERVIS LCD Drawer: FD-1000MT	Basic model	NC14010-B452/US R	R 17" Console drawer, US version (LCD: SXGA, Input Device I/F: Multi-interface)
	with built-in 8-port Multi-KVM	NC14010-B462/US R	17" Console drawer, US version with 8-port multi-KVM pre-installed (LCD: SXGA)
	with built-in 16-port Multi-KVM	NC14010-B472/US R	17" Console drawer, US version with 16-port multi-KVM pre-installed (LCD: SXGA)
Cat5 Extender			
Model/Series		Part Number	Description
Cat5 Wide Band: FE-1000CW series		NC14004-B721/U R	300 m Cat5 Extender Kit of local and remote units (supporting up to 300m at XGA/XSGA, up to 200m at UXGA), remote unit to be console port only, compact size: 110 (W)x100 (D) x 25 (H)mm
Cat5 Wide Band: FE-2000CW series		NC14004-B717/U R	300 m Cat5 Extender Kit of local and remote units (supporting up to 300m at XGA/XSGA, up to 200m at UXGA), remote unit to be console port only, support audio and touchpanel (RS232: Tx/D, Rx/D only)
Multi User KVM			
Model/Series		Part Number	Description
Multi-user KVM FS-8000 series	Main unit (FS-8032MM)	NC14011-B181/U R	Multi-user KVM main switching unit, shared by 8 users, and switching 32 server units, supports up to 1600 x 1200 graphic resolution
	User console unit	NC14011-B110/U R	Remote console unit over Cat5, supporting up to 300m remote operation at XGA/XSGA, up to 200m remote operation at UXGA
	Server unit	NC14011-B101 R	PS/2 Interface server control unit
		NC14011-B102 R	Regular USB Interface server control unit
		NC14011-B103 R	Sun MD 8 pin Interface server control unit
		NC14011-B104 R	Sun USB Interface server control unit
	IP-KVM		
Model/Series		Part Number	Description
IP KVM FX-7000NP series	1 port	NC14008-B032RS R	Supports up to 1600 x 1200 graphic resolutions, Virtual CD ROM function, Dual power supply
IP-Serial Console Switch			
Model/Series		Part Number	Description
Serial Console FX-3000SR series	1 port	NC14008-B027RS R	Serial Control (RS232C) over IP, compact size: 110(W) x 114(D) x 32(H)mm.