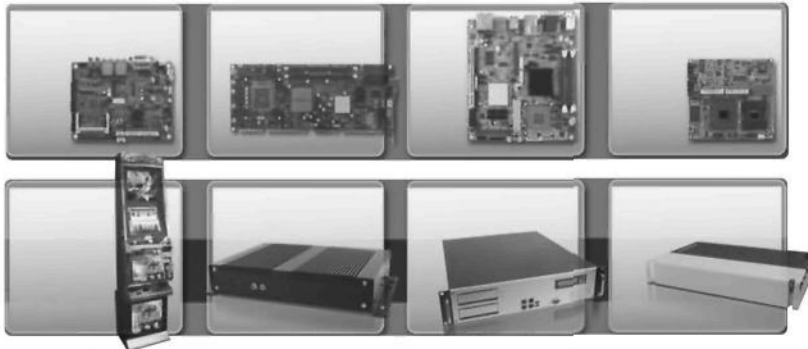


iPC1210AT

iPC1500AT



iPC Market Overview



System feature

- Multi-I/O (Digital I/O,CAN bus,RS-232/422/485)
- Power over Ethernet
(low power consumption)
- Resistive touch solution
- M to M communication (802.11 a)

Application

- HMI
- CNC
- Factory (with PLC)
- Home automation
- Product line
- Power plant Market Overview
- PPC Market Overview



iPC Market Overview

Features:

- Dual-Core Intel® Atom™ Processor D2700
- DDR3-1066 memory supported, up to 4GB
- 2M battery backup SRAM
- Auto brightness adjustment w/ front dimming sensor
- Front keypads for OSD adjustment and function keys
- IP65 front panel protection
- Resistive pouch panel (optional capacitive or SAW)
- One PCI expansion slot
- Slim & compact design



iPC modularize structure

ex: iPC1500AT



Control Box PBX101-806

Display module IPPL15A0-RE



PCI/Customize I/O slot



iPC1500AT front panel I/O

iPC1500AT

Auto-dimming



Function Keys



iPC1210AT front panel I/O

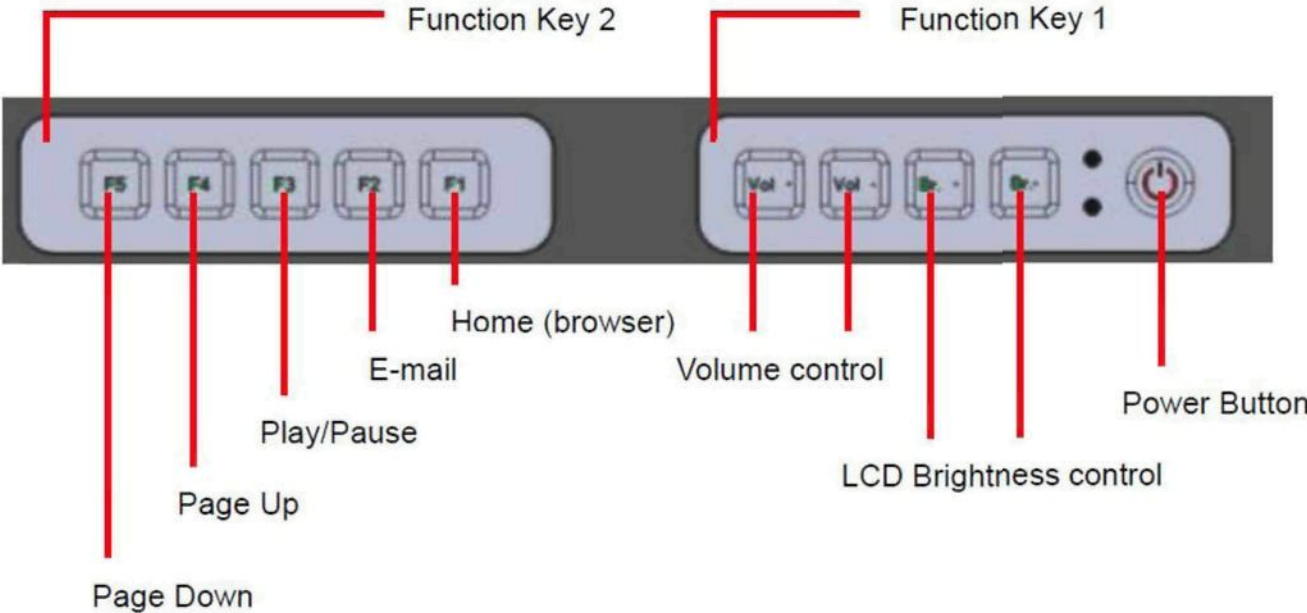
iPC1210AT



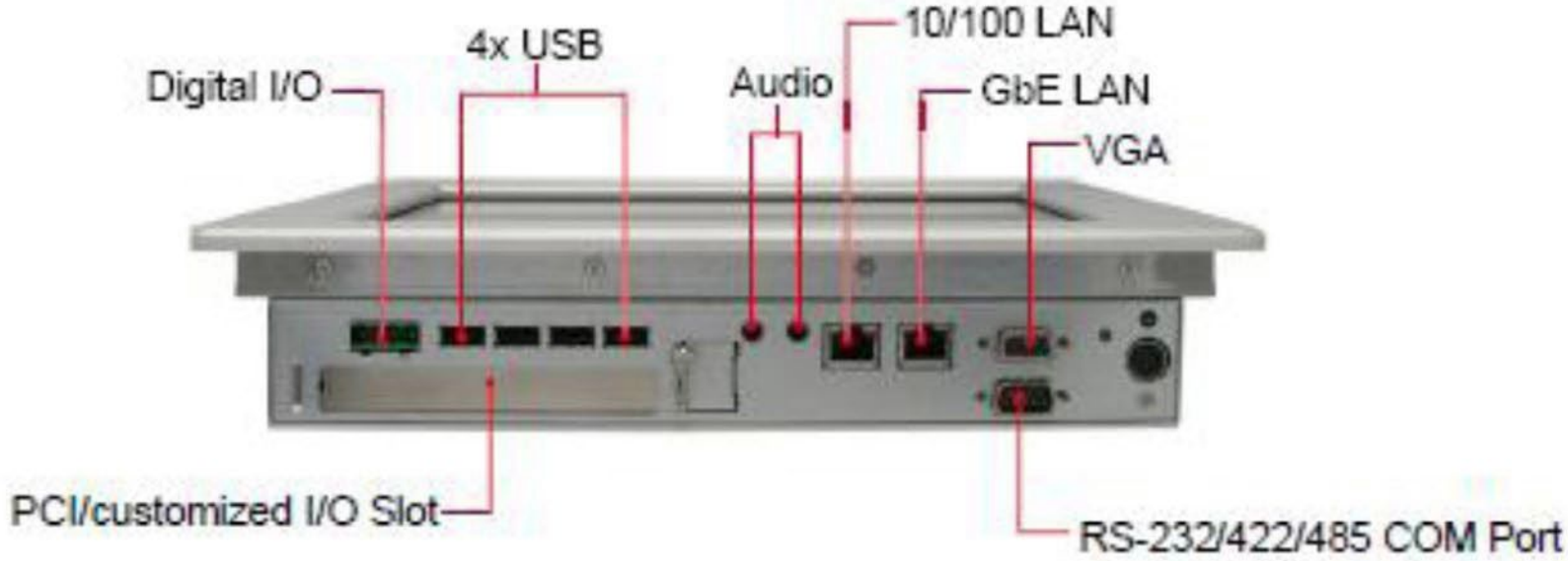
Function Keys



Function key



iPC1210AT / 1500AT Edge I/O



SPEC of Display

iPC1500AT

- LCD Size: 15”
- Resolution: 1024x768
- Contract Ratio: 700/1
- Viewing Angle: 160/160
- Brightness: 400 nit
- Support 16.2M colors

iPC1210AT

- LCD Size: 12.1”
- Resolution: 1024x768
- Contract Ratio: 700/1
- Viewing Angle: 160/160
- Brightness: 500 nit
- Support 16.2M colors



SPEC of Touch

AMT 5 wire Resistive touch

Surface finish: Antiglare

Light transmission: > 80%

Haze: 1.5~20% (depends on design)

Input method: finger, gloved finger, stylus

Activation force: 0.1N to 1.0N depends on design

Durability Surface hardness: 3H or higher

Expected life: 36 million single point activation for 5-wire touch

10 million single point activation for 4- wire touch



iPC1500AT SPEC

Display

LCD Size	15.0" TFT LCD
LCD Color	16.7M colors
Display Resolution	1024 x 768
LCD Brightness	400 cd/cm2
Dot Pitch	297um x 297um
Viewing Angle	160/160
Backlight MTBF	50,000 Hrs
Touch Screen	Resistive Touch Panel

Environmental

Operating Temperature	0°C~ 40°C
Storage Temperature	-10°C~60°C
Relative Humidity	90%
Protection Class	IP65 (Front panel with wall mount)

Specifications

System Mainboard	IB806
CPU Type	Intel® Atom™ D2700 processor
Memory	1033 /1066 DDR3 up to 4G
Construction	Aluminum & SGCC
Chassis	Silver
I/O Interface	1x Gigabit LAN (RJ45) 1x 10/100 LAN (RJ45) 4x USB 2.0 (USB Host, A-Type) COM1 RS-232/422/485 Digital IO, 4In/4Out 1x 9V-36V wide range DC-in jack with lock 1x VGA 1x speaker-out microjack 1x Mic-in microjack 2x SMA connector (reserve for mini PCIE module Supporting WiFi / Bluetooth / HSDPA)
Expansion I/O	1x PCI slot
Storage	1x 2.5" HDD drive bay
Mounting	VESA mount



iPC1210AT SPEC

Display

LCD Size	12.0" TFT LCD
LCD Color	16.7M colors
Display Resolution	1024 x 768
LCD Brightness	500 cd/cm2
Dot Pitch	240um x 240um
Viewing Angle	160/160
Backlight MTBF	50,000 Hrs
Touch Screen	Resistive Touch Panel

Environmental

Operating Temperature	0°C~ 40°C
Storage Temperature	-10°C~60°C
Relative Humidity	90%
Protection Class	IP65 (Front panel with wall mount)

Specifications

System Mainboard	IB806
CPU Type	Intel® Atom™ D2700 processor
Memory	1033 /1066 DDR3 up to 4G
Construction	Aluminum & SGCC
Chassis	Silver
I/O Interface	1x Gigabit LAN (RJ45) 1x 10/100 LAN (RJ45) 4x USB 2.0 (USB Host, A-Type) COM1 RS-232/422/485 Digital IO, 4In/4Out 1x 9V-36V wide range DC-in jack with lock 1x VGA 1x speaker-out microjack 1x Mic-in microjack 2x SMA connector (reserve for mini PCIE module) Supporting WiFi / Bluetooth / HSDPA)
Expansion I/O	1x PCI slot
Storage	1x 2.5" HDD drive bay
Mounting	VESA mount 100mmX100mm



iPC1500AT / 1210AT



Application Field

