

# Ultra-Compact Platform Panel PC

9" Industrial LCD Panel PC w/1GB Memory / 3USB / AUDIO / LAN / GigaLAN / 2COM / DC12~24V / Wide Temp

Model: XPCW0900WTEDC



## FEATURES:

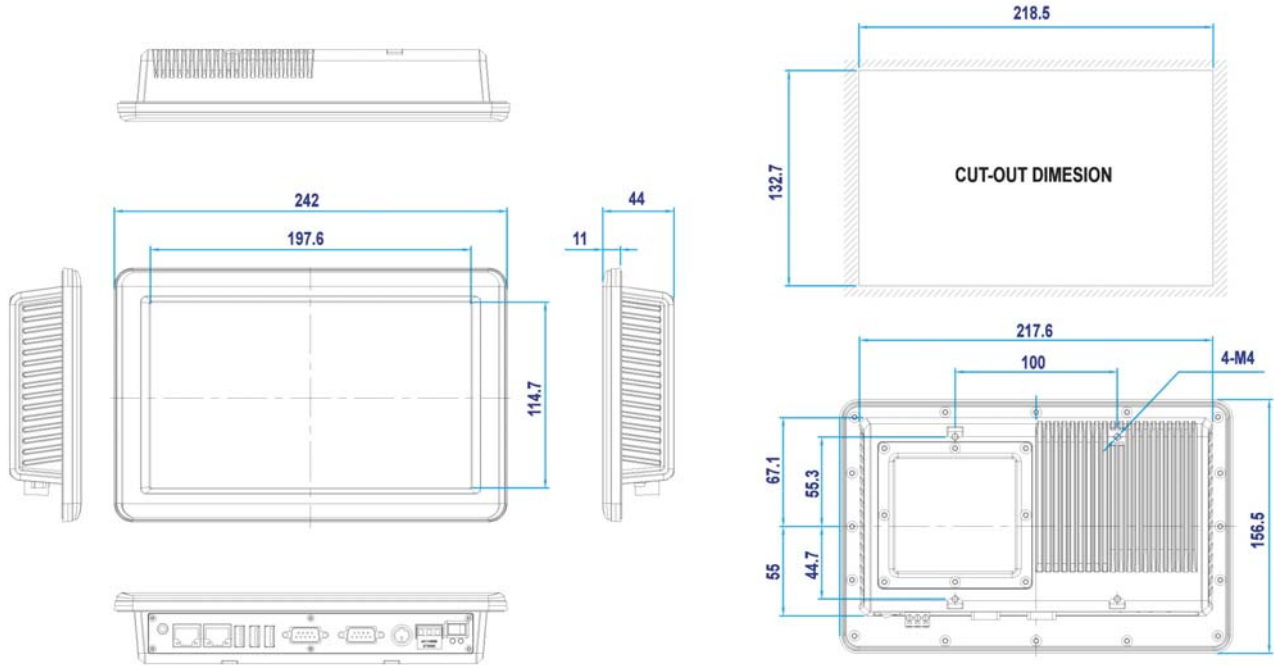
- 9" TFT LCD with Resistive Touchscreen
- DMP Processor 933MHz Onboard
- 512MB / 1GB System Memory Onboard
- Compact Flash Type I/II / SD Slot / SATA
- Fanless and Low Power Consumption
- Metal Chassis with Compact Design



## SPECIFICATIONS

LCD Display	
Type	WSVGA TFT LCD
Size	9"
Resolution (Pixel)	1024x600
Colors	262,144
View Angle	Angle Vertical 140°, Horizontal 160°
Brightness	300 cd/m <sup>2</sup>
Backlight life	25,000 hrs
Contrast Ratio	500:1
CPU	DMP Vortex86DX2 933MHz
Cache	L1: 16KB I-Cache, 16KB D-Cache L2: 256KB Cache
Memory	512MB / 1GB Memory Onboard
Watchdog Timer	Software Programmable from 30.5u to 512 Seconds x 2 Sets
Serial Port	RS-232 / 422 / 485 x 2
USB Ports	USB Ports (Version 2.0) x 3
Ethernet	Integrated 10/100Mbps Ethernet / Giga Ethernet (Optional)
Audio	HD Audio-Realtek ALC262 CODEC
Internal Drives	Compact Flash Type I/II Slot, SD Slot, SATA
Touch Screen Type	Analog Resistive
Expansion Slot	Wi-Fi Optional
Power Requirement	+12VDC / +24VDC
Power Consumption	+24VDC@ 1A
Operating Temperature	0 ~ +50°C (+32 ~ +122°F) / -20°C ~ +60°C (-4 ~ +140°F)
Storage Temperature	-30 ~ +70 °C (-22 ~ +158 °F)
Operating Humidity	0% ~ 90% Relative Humidity, Non-Condensing
Operating System	DOS, Linux, Windows CE, Windows XP
Dimensions	242x156.5x44mm (9.68"x6.26"x1.76")
Weight	3.0 kg
Certificate	CE, FCC, VCCI, Vibration, IP65 (Front Panel)

# DIMENSIONS



Unit: mm

# I/O VIEW

