



12.1" SVGA HMI panel PC Intel ATOM N2930(1.83GHz),
Onboard 4GB DDR3 memory, 1x 2.5in SATA2 Drive Bay,
Aluminum Die-cast Chassis.

AHM1210-AT

FEATURES:

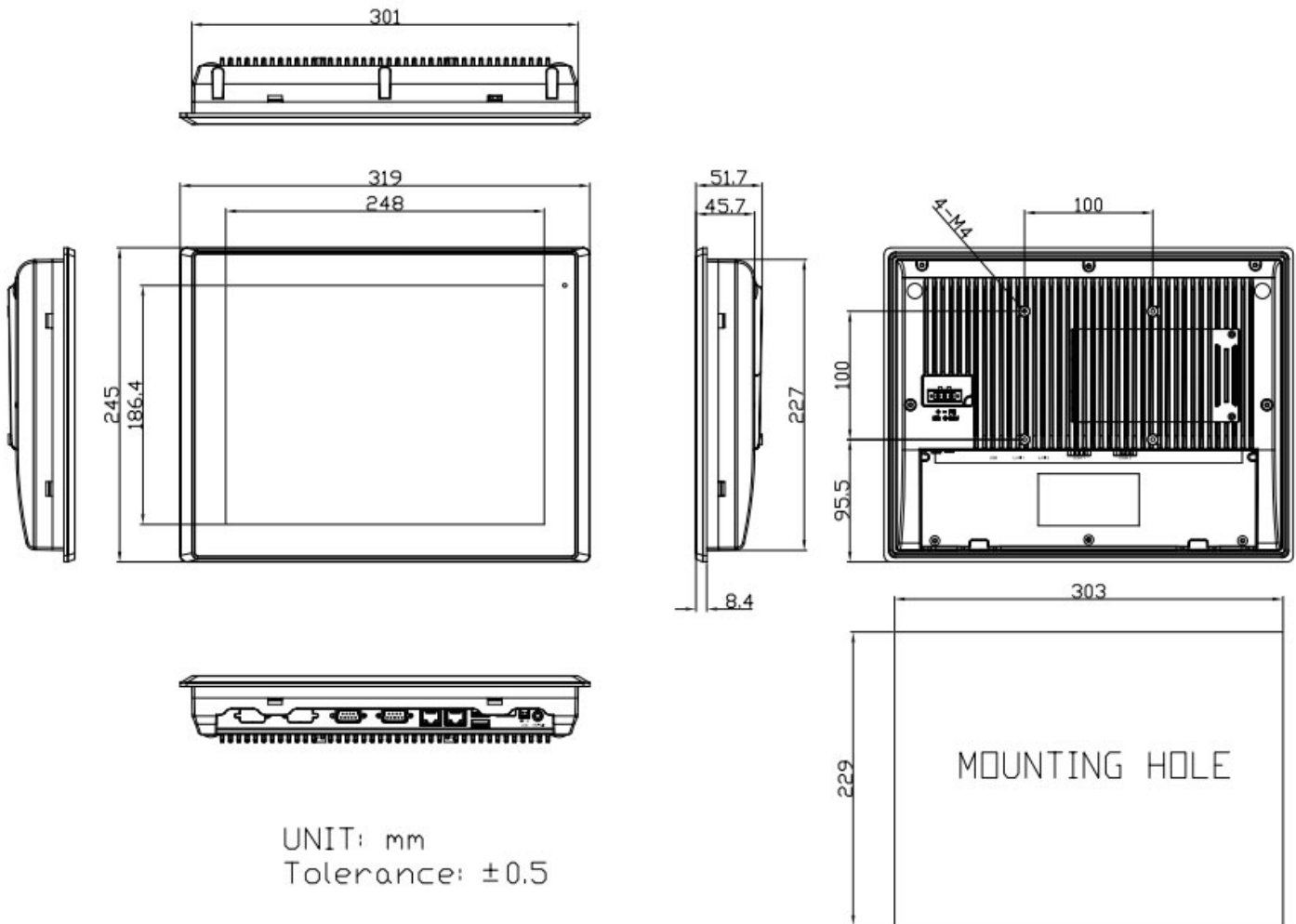
- 12.1" Industrial Compact Size Panel PC
- Flat front panel touch screen
- Intel Bay Trail N2930(2.16GHz) CPU built-in/E3845(1.91GHz) for option
- Onboard 2GB DDR 3L 1600 MHz/4GB(option)
- DC 9~36V wide-ranging power input
- IP65 compliant front panel
- Optional projected capacitive touchscreen support 7H anti-scratch surface



SPECIFICATION:

System		View Angle	H:160° / V:140°
Processor	Onboard Intel Bay Trail N2930(1.83GHz) Processor / E3845(1.91GHz) for option	Contrast Ratio	800:1
System Chipset	SoC	Backlight Lifetime	50,000 hrs
Memory	Onboard 2GB DDR 3L 1600 MHz/4GB(option)	Touch screen-Resistive Touch Window Type	
IO Port		TS Control IC	PenMount 6000 on Board
USB	1 x USB 2.0 type A 1 x USB 3.0 type A	Interface	USB interface
Serial/Parallel	1 x RS-232 DB-9(COM2) 1 x DB-9 RS-232/422/485 (Default RS-232)(COM1)	Light Transmission(%)	Over 80%
Audio	1 x Audio Line Out	Touch screen-Projected Capacitive Type	
LAN	2 x GbE LAN RJ-45	TS Control IC	Chip on tail
Power	1 x 3-pin DC Power input terminal 1 x 2-pin connector for power on/off button	Interface	USB interface
Option	2 x RS-232 DB-9 + 1 x Mini-PCIe slot via TB-528C2ME1 2 x CAN bus via TB-528CAN2 2 x USB 2.0 type A + 1 x Mini-PCIe slot + 1 x RS-232 DB-9 via TB-528C1U2 2 x USB 2.0 type A Via TB-528U2	Light Transmission(%)	Over 90%
Storage Space		POWER SUPPLY	
HDD	1 x 2.5" SATA HDD bay for SATA HDD (Easy Accessible)	Power Input	9~36V DC
Movable device	1 x SD card slot, up to 32GB	MECHANICAL	
Expansion		Construction	Aluminum Die-casting Front Bezel and Chassis
Expansion	1 x Internal Mini-PCIe slot full size	Front Bezel Metal	Aluminum / Panel Mounting
Display		Rear Panel Metal	Aluminum / VESA 100 x 100
Display Type	12.1" TFT-LCD	Dimension	319mm x 245mm x 52mm
Max. Resolution	800x600	ENVIRONMENTAL	
Max. Color	16.2M	Operating Temperature	0~50 OC
Brightness	450	Storage Temperature	-20~60 OC
		Storage Humidity	10 to 90% @ 40°C, non-condensing
		Certificate	Meet CE / FCC CLASS A
		Operating System Support	
		Windows Embedded Compact 7, Windows 7, Windows Embedded Standard 7, Windows 8, Windows Embedded 8 Standard, Windows 8.1, Windows Embedded 8.1 Industry	

DIMENSION:



UNIT: mm
Tolerance: ± 0.5