

# Marine LCD Monitor

24" 300 cd/m<sup>2</sup> FHD LCD monitor, aluminum front panel, black color, W/ USB projected capacitive touch screen, 18~36V DC input, R10 (Model: IMAR2400)



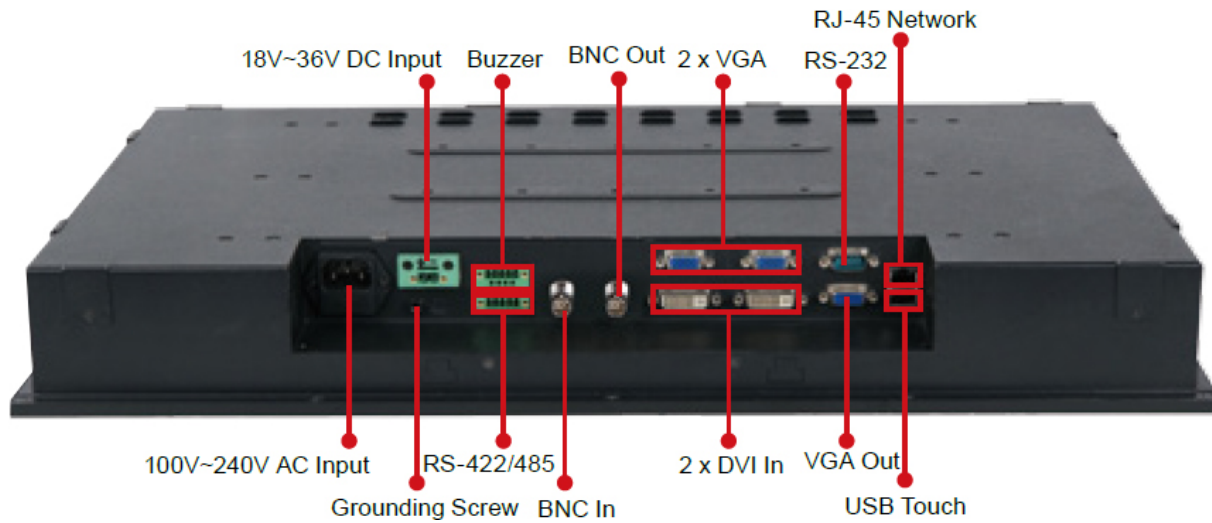
## Features

- IP22 Rear / IP66 Front
- -15°C ~ +55°C Wide Temperature and Flat-bezel Projected Capacitive Touchscreen
- **Excellent Visual Performance**
  - Full OSD function configuration
  - 0%-100% full range dimming
  - 178°/178° wide viewing angles
  - Optical bonding improves visibility under bright light (optional)
- **Multiple Video Input**
  - two VGA, two DVI, and one BNC
- **Multiple Video Output**
  - One VGA and one BNC
- **Dual Isolated AC/DC Input with Redundant Power Protection**
- **Remote OSD Settings through LAN, RS-232, RS-422 and RS-485**

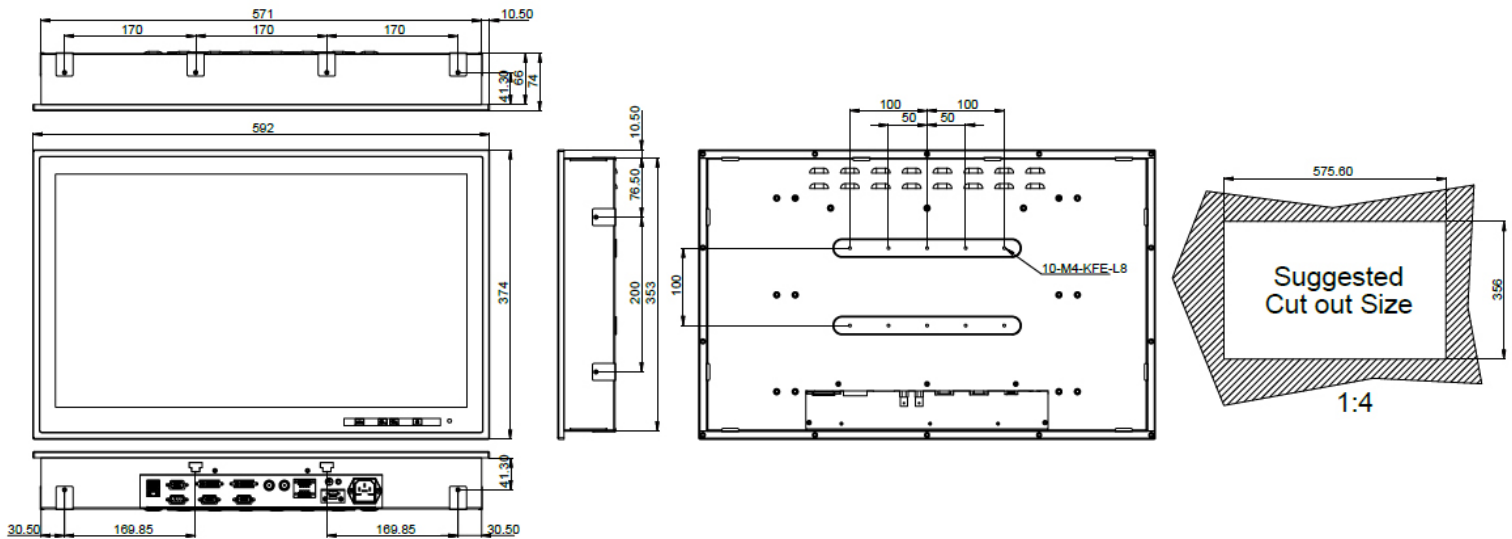
## Specifications

LCD	LCD Size	24"
	Panel Type	AMVA
	Max. Resolution	1920 x 1080 (16:9)
	Contrast Ratio	5000 : 1
	Brightness (cd/m <sup>2</sup> )	300
	LCD Color	16.7M
	Pixel Pitch (um)	276 x 276
	Viewing Angles (H-V)	178° / 178°
	Backlight MTBF (HRs)	50000
Touchscreen & Controller		Projected capacitive touchscreen EETI 2-points
Scalar Chip		STDP8028
I/O Ports and Switches		<ul style="list-style-type: none"> <li>• DVI-D signal input: 2 x DVI (24-pin, female)</li> <li>• RGB signal input: 2 x HD D-SUB (15-pin, female)</li> <li>• Composite video input: 1 x BNC connector (female)</li> <li>• Composite video output: 1 x BNC connector (female)</li> <li>• RS-232/422/485 for remote control non-isolated</li> <li>• RGB signal output: 1 x HD D-SUB (15-pin, female) - Clone of RGB IN*</li> <li>• Touchscreen: 1 x USB type A connector (female)</li> <li>• Ethernet: 1 x RJ-45 connector for remote control</li> <li>• Isolated 100V~240V AC power input</li> <li>• 18-36V DC power input with isolation</li> </ul>
PIP		Yes
Light Sensor		Yes
OSD Button		P-CAP Button (LCD on/off, Menu, Auto, Up, Down, Left ,Right)
LED/Sensor		Ambient light sensor (0%~100%)
Optional Function		Optical Bonding ECDIS compliant (IEC 61174)
Power Requirement		Multi-power Supply: • 110~240VAC ,24 VDC (18VDC~36VDC)
Operating Temperature		-15°C ~ 55°C
Storage Temperature		-20°C ~ 60°C
Humidity		Humidity up to 95%
Thermal Design		Fanless
Housing		Aluminum front , sheet metal back (Black C)
Cut-out Dimensions (L x W)		576 mm x 356 mm
Dimensions (L x W x H)		592 mm x 374 mm x 74 mm
Mounting		VESA 200mm x 100mm
Approvals		EMC: CE, FCC Safety: DNV, IEC 60945 4th, IACS-E10 IP Rating: IP66 front , IP22 rear





## Dimensions (Unit: mm)



## Options

- Panel Mount Kit
- Desktop Stand

## Packing List

Item	Qty	Description
Utility CD	1	Drivers and user manual