

# MEDICAL PANEL PC

21.5" 250cd/m<sup>2</sup> FHD medical panel PC with Intel® H81 chipset, Intel® Core™ i5-4570TE processor (dual core, 2.7 GHz, TDP 35W), two 4 GB total 8GB DDR3 RAM, 500GB HDD, 802.11a/b/g/n/ac Wi-Fi module, projected capacitive touchscreen, 2M camera, microphone Intel® HD Graphics 4600, support Windows 10 Pro License

**Model: IMPC-2150i5**



iTech Company's **Medical Grade Panel PCs** are powerful systems suited for medical applications. It is made of industrial grade components that can endure 24/7 operation. It features an antimicrobial surface which prevents the spread of microbes, protecting the staff and patients in a sterile environment. Moreover, it is equipped with a powerful CPU for a reliable performance which is required in demanding medical applications.

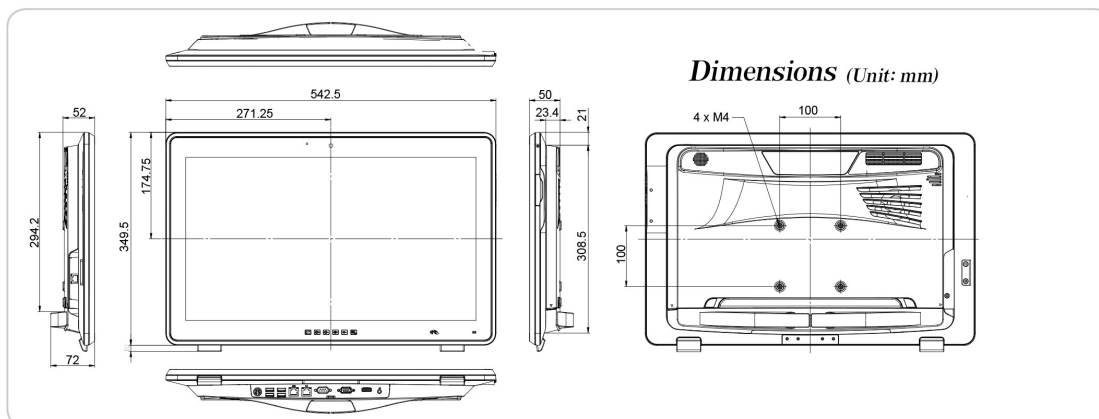
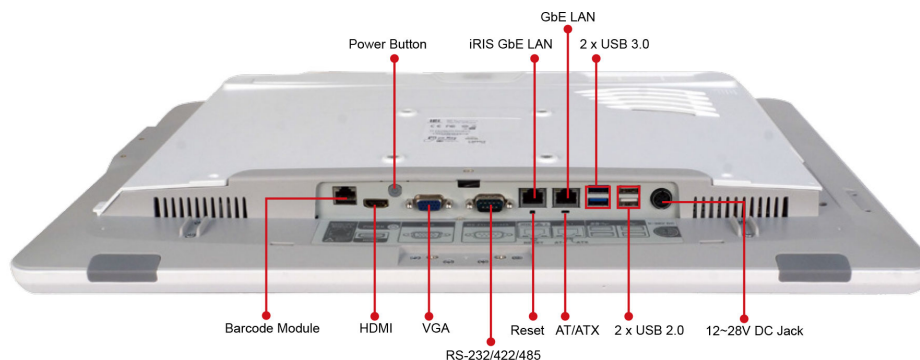
## FEATURES:

- IP65 sealed front bezel for water-resistant protection as well as easy to clean and disinfect
- Powerful CPU which is capable of handling the most CPU intensive medical applications
- High resolution for a clear and crisp display
- Antimicrobial housing to prevent the spread of microbes
- Compact design as a space-saving solution in a crowded medical facility
- Fanless design with a passive cooling system
- Projected capacitive touchscreen which supports multi-touch

## OPTIONS:

- 3-in-1 card reader for MSR, SCR and fingerprint
- Internal 54W battery module
- Mifare RFID module
- VoIP phone handset
- Handle module with barcode scanner and reading light

## I/O Interface



## SPECIFICATIONS:

<b>LCD Specifications</b>	LCD Display	21.5" (16:9)	
	Max Resolution	1920 (W) x 1080 (H)	
	Brightness (cd/m <sup>2</sup> )	250	
	Contrast Ratio	1000 : 1	
	LCD Color	16.7M colors (RGB 6-bit)	
	Pixel Pitch (mm)	0.24825 (H) x 0.24825 (V)	
	Viewing Angle (H-V)	170°/160°	
	Backlight MTBF (hrs)	30000 (LED backlight)	
<b>Touch</b>	Touchscreen	Projected capacitive type with USB interface	
	Touch Controller	EETI: EXC7200 + EX5404	
	Surface Hardness	6H	
<b>System</b>	CPU Support	Intel® desktop Core™ i7/i5/i3/Pentium®/Celeron® CPU with Intel® H81 chipset (Up to TDP 35W CPU)	
	Chipset	Intel® H81	
	RAM	Two 204-pin 1600/1333MHz dual-channel DDR3 SDRAM, 4GB pre-installed (system max.16GB)	
	I/O Port	1 x RS-232/422/485 2 x GbE LAN by RJ-45 (1 for iRIS) 1 x Power button 1 x VGA output	1 x HDMI output 1 x 12V~28V DC Jack 2 x USB 3.0 4 x USB 2.0 (2 on bottom and 2 on side) 1 x RJ-11 for barcode module
	Storage	1 x 2.5" SATA HDD bay	
	Audio	2 x 3W speaker	
	Webcam & Microphone	2-megapixel CMOS front-facing camera with auto-focus and digital microphone	
	Expansion Interface	1 x PCIe Mini for Wi-Fi module, 1 x PCIe Mini reserved	
	LED Indicator	2-light battery status LED, RFID indicator LED	
	<b>Other Features</b>	MIFARE RFID	Optional: MIFARE 13.56 MHz card reader
Function Key		1 x LCD on/off 1 x Brightness up 1 x Brightness down 1 x Volume up 1 x Volume down 1 x Touch lock button for cleaning	Combinations: 1 x Lock/Unlock OSD 1 x Power on/off
Light Sensor		Ambient light sensor for panel brightness adjustment	
Battery		Optional built-in 54W battery pack (30 mins)	
Remote Monitoring		1 x iRIS-2400 slot (iRIS remote management model)	
Cooling Method		Smart Fan	
<b>Connectivity</b>	Wi-Fi and Bluetooth	IEEE 802.11 a/b/g/n/ac 1T1R module with bluetooth V4.0 (PCIe half mini card)	
<b>Physical</b>	Construction Material	ABS+PC plastic with anti-bacterial material	
	Mounting	Wall, Stand and Arm VESA 100mm x 100mm	
	Net Weight	7.3 kg	
	Dimensions (WxHxD)	542.5 mm x 349.5 mm x 52 mm	
<b>Environment</b>	Operating Temperature	0°C~40°C	
	Storage Temperature	-20°C~60°C	
	Humidity	10% to 95% (non-condensing)	
	Vibration	1G	
	Shock	Operating Shock: 5G peak acceleration (11ms duration) Non-Operating Shock: 15G peak acceleration (11ms duration)	
	IP Level	IP65 compliant front panel	
<b>Power</b>	Power Input	12V~28V DC input	
	Power Adapter	120W medical power adapter: Input: 100V~240V AC; Output: 19V DC	
<b>Certification</b>	<ul style="list-style-type: none"> <li>• 47 CFR FCC Part 18 Class B, Subpart C</li> <li>• EN 60601-1-2:2007 + AC:2010</li> <li>• CE (EN60601-1:2006+A11:2011+A1:2013+A12:2014; IEC 60601-1:2005 + CORR.1:2006 + CORR.2:2007 + AM1:2012)</li> <li>• ANSI/AAMI ES60601-1 (2005/(R)2012 + A1:2012, C1:2009/(R)2012 + A2:2010/(R)2012)</li> <li>• CAN/CSA-C22.2 NO.60601-1:14</li> <li>• ISO 14971: 2007</li> <li>• R.E.D</li> </ul>		