

Aluminum Rugged PANEL PC

400cd/m² XGA fanless full IP65 panel PC with Mobile Intel® QM77 Express Chipset and Intel® Core™ i3-3217UE Processor, 802.11a/b/g/n wireless module, resistive touch screen, 2-megapixel camera, microphone, 2GB DDR3 RAM, R10

Model: IOD1500PCi3

FEATURES:

- Intel® Ivy Bridge mobile chipset (QM77/ NM70)
- 15" 400 nits 1024 x 768 LCD with LED backlight
- Full IP 65 compliant die-casting aluminum chassis
- PCIe Mini card expansion
- Dual-DC input, 9V ~ 36V and 10.5V ~ 36V, switch automatically
- ACC power support
- Dual-band 2.4/5GHz Wi-Fi 802.11 a/b/g/n 3T3R MIMO design
- Reserved space for 3.75G / HSPA+ USB dongle
- Optional GPS receiver
- Optional EM or Mifare RFID reader
- Optional Bluetooth module
- Built-in 2-megapixel webcam with AF, AE and AWB capabilities
- CAN-bus interface with isolation
- F1 ~ F10 function keys with customization options



Various Connections Options

The IOD1500PC provides different kinds of communication interfaces, such as LAN/ WLAN/3G/GPS/ Bluetooth/RFID, which maximize flexibility of system integration and ensure seamless workflow.



Connection Feasibility



Dual-Band 2.4/5GHZ Wi-Fi

Dual-band 2.4G/5G 802.11 a/b/g/n 3T3R MIMO design with up to 450 Mbps speed



3.75G HSUPA (optional)

Compared to Wi-Fi wireless network, 3.75G HSUPA has higher mobility with long-range mobile communication and no hotspot limitation. It is also able to connect to the Internet in real time.



Bluetooth V2.1+EDR (optional)

Connect peripheral devices with Bluetooth, such as earphone, scanner, etc.



GPS (optional)

Travel navigation, real-time locating and path tracking

Robust Mechanical Design

The IOD1500PC is fully IP65 protected with aluminum chassis and water proof rubber gaskets. It also supports wide operating temperature from -20°C to 60°C.

-20°C  60°C



PCIe Mini Card Expansion

A. 3T3R Wi-Fi Module

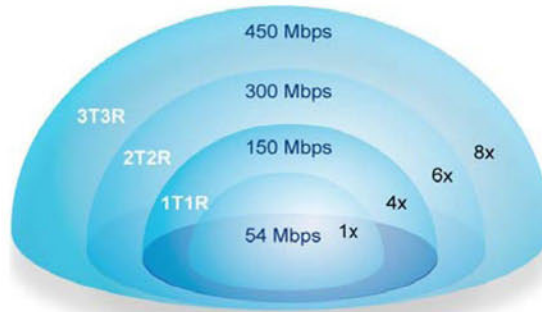
UPC-V315 supports IEEE 802.11 a/b/g/n 3T3R WiFi module, enhancing the transmission speed and coverage.

T: Transmitter

The number T is absolutely relative with speed, 1T up to 150Mbps, 2T up to 300Mbps, 3T up to 450Mbps.

R: Receive

The number R is relative with receiving dead angle and distance. The higher R is, the wider the receiving range.



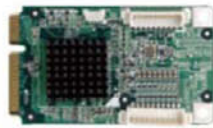
B. Solid State Disk mSATA

mSATA is compact, rugged, and much faster than traditional HDD, which is suitable for harsh environment.



C. 4-Channel Capture Card

The IOD1500PC i3 / i7 supports 4-channel video capture solution via PCIe Mini card, which can easily integrate IP camera for surveillance and real-time video streaming.



IVCME-C604



Forklift Management



Slaughter House Factory

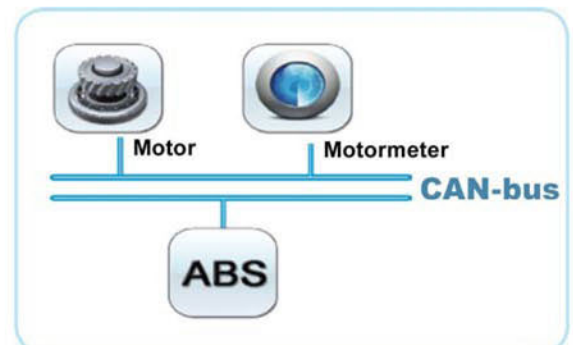


Flower Market Management

CAN-bus Interface with Isolation

The Control Area Network (CAN) is a serial bus system. The IOD1500PC on-board CAN controllers provide bus arbitration and error detection with automatic transmission repeat function. This drastically reduces the chance of data loss, ensures system reliability, and is suitable for network intelligent I/O devices such as sensors or actuators of machines or plants.

1. Isolated protection voltage 2500V/min DC protection
2. Typical transient immunity 50 kV/ms ESD protection



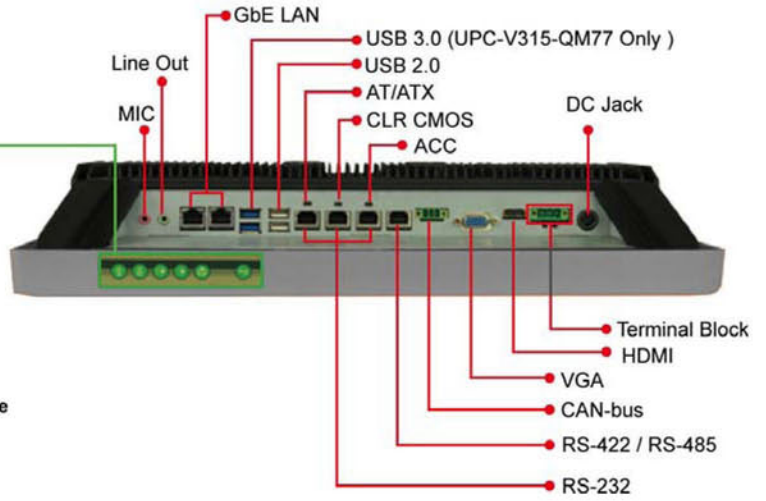
Specifications

Model		IOD1500PC	IOD1500PCi3 / i7
Display	LCD Size	15 "	15 "
	Max Resolution	1024(W) x 768(H)	1024(W) x 768(H)
	Brightness (cd/m ²)	400	400
	Contrast Ratio	700:1	700:1
	LCD Color	16.2M	16.2M
	Pixel Pitch (mm) (HxV)	0.297(H) x 0.297(V)	0.297(H) x 0.297(V)
	Viewing Angle (V/H)	125° / 140°	125° / 140°
	Backlight MTBF (hrs)	50000	50000
Touch	Touch Screen	Resistive Type 5-Wire with RS-232 interface	Resistive Type 5-Wire with RS-232 interface
	Touch Controller	DMC 9000	DMC 9000
Motherboard	CPU	Intel® Celeron® Processor 847	Intel® Core™ i7-3517UE Processor Intel® Core™ i3-3217UE Processor
	Chipset	Mobile Intel® NM70 Express Chipset	Mobile Intel® QM77 Express Chipset
	RAM	Built-in one 2 GB DDR3 memory (System max. 8GB; on board max. 4GB; socket max. 4GB)	Built-in one 2 GB DDR3 memory (System max. 8GB; on board max. 4GB; socket max. 4GB)
	Ethernet	Intel® WG82579LM GbE PHY	Intel® WG82579LM GbE PHY
	Audio Codec	Realtek ALC892 HD audio codec	Realtek ALC892 HD audio codec
I/O Ports and Switches		3 x RS-232 (RJ-45) 1 x RS-422/485 (RJ-45) 1 x CAN-bus 1 x VGA 1 x HDMI port 2 x GbE LAN 2 x USB 2.0 1 x Reset button 1 x Audio jack (Line out, MIC) 1 x DC Jack (9~36V DC) 1 x Terminal block (9~36V DC) 1 x AT / ATX mode switch	3 x RS-232 (RJ-45) 1 x RS-422/485 (RJ-45) 1 x CAN-bus 1 x VGA 1 x HDMI port 2 x GbE LAN 2 x USB 2.0 2 x USB 3.0 1 x Reset button 1 x Audio jack (Line out, MIC) 1 x DC Jack (9~36V DC) 1 x Terminal block (9~36V DC) 1 x AT / ATX mode switch
System	Audio	AMP 3W + 3W (Internal Speaker)	AMP 3W + 3W (Internal Speaker)
	Camera	2-megapixel	2-megapixel
Connectivity	Wireless	IEEE 802.11a/b/g/n 3T3R module (WIFI-RT5393-DB-R10)	IEEE 802.11a/b/g/n 3T3R module (WIFI-RT5393-DB-R10)
	Bluetooth	Bluetooth V2.0+EDR with USB interface (optional)	Bluetooth V2.0+EDR with USB interface (optional)
	3G	Reserved USB connector (Optional)	Reserved USB connector (Optional)
	GPS	N/A	FV-W9U (Optional, internal USB header)
Drive Bay	HDD Driver Bay	1 x 2.5" SATA SSD bay	1 x 2.5" SATA SSD bay
	SSD	mSATA	mSATA
	CD-ROM Driver Bay	N/A	N/A
Expansion Slot		N/A	1 x PCIe Mini Card
System Cooling		Fanless	Fanless
Physical	Construction Material	Aluminium alloy	Aluminium alloy
	Mounting	VESA 100mm x100mm or 75mm x 75mm with M8 screws	VESA 100mm x100mm or 75mm x 75mm with M8 screws
	Front Panel Color	Orange (Pantone 15C)	Orange (Pantone 15C)
	Dimensions (WxHxD) (mm)	427.19 x 330.63 x 77.06	427.19 x 330.63 x 77.06
	Net Weight	7.97 kg	7.97 kg
Environment	Operating Temperature	-20°C ~60°C	-20°C ~60°C
	Storage Temperature	-30°C ~70°C	-30°C ~70°C
	Operating Humidity	5% ~90%, non-condensing	5% ~90%, non-condensing
	Shock	Half-sine wave shock 3G; 11ms; 3 shocks per axis	Half-sine wave shock 3G; 11ms; 3 shocks per axis
	Vibration	MIL-STD-810F 514.5C-1 (with SSD)	MIL-STD-810F 514.5C-1 (with SSD)
	IP Rating	Full IP 65	Full IP 65
Power	Adapter	90 W; 63040-010090-020-RS	90 W; 63040-010090-020-RS
	Requirement	Power1: 9V~36V(+/-0.3V) Power2: 10.5V~36V(+/-0.3V)	Power1: 9V~36V(+/-0.3V) Power2: 10.5V~36V(+/-0.3V)

IO and Human Machine Interface



- Fn** Fn
- Backlight On/Off** Fn + [Backlight Icon] **RFID enable / disable**
- Audio -** Fn + [Volume Down Icon] **Audio mute**
- Audio +** Fn + [Volume Up Icon] **Camera enable / disable**
- Brightness -** Fn + [Brightness Down Icon] **Right side USB enable / disable**
- Brightness +** Fn + [Brightness Up Icon] **Power on / off**



Order Information

P/N	Description
IOD1500PCi7	15" 400cd/m ² XGA fanless full IP65 panel PC with Mobile Intel® QM77 Express Chipset and Intel® Core™ i7-3517UE Processor, 802.11a/b/g/n wireless module, resistive touch screen, 2-mgeapixel camera, microphone, 2GB DDR3 RAM, R10
IOD1500PCi3	15" 400cd/m ² XGA fanless full IP65 panel PC with Mobile Intel® QM77 Express Chipset and Intel® Core™ i3-3217UE Processor, 802.11a/b/g/n wireless module, resistive touch screen, 2-mgeapixel camera, microphone, 2GB DDR3 RAM, R10
IOD1500PC	15" 400cd/m ² XGA fanless full IP65 panel PC with Mobile Intel® NM70 Express Chipset and Intel® Celeron® Processor 847, 802.11a/b/g/n wireless module, resistive touch screen, 2-mgeapixel camera, microphone, 2GB DDR3 RAM, R10

Options

Item
ARM
Wall Mounting Kit
Stand
GPS Module Kit
Bluetooth Module Kit
EM RFID Kit
Mifare RFID Kit
OS: Win XPE (CD-ROM)
OS: Linux (CD-ROM)
OS: Win 7 Embedded (DVD-ROM)

Packing list

Item
Utility CD
One Key Recovery CD
IR Remote Controller
RJ-45 to DB-9 COM Port Cable
M8 Screw
M4 Screw
Mounting Bracket
Screw Driver
Power Adapter
Power Cord (European Standard)
Power Transfer Cord
M8 to M4 Screw

Dimensions (Unit: mm)

