

MEDICAL PANEL PC

Fanless 24" Medical Panel PC with 6th Generation Intel mobile ULT Core i7/i5/Celeron processor with Projected capacitive type with 10-point multi-touch

Model: iMCW2400i

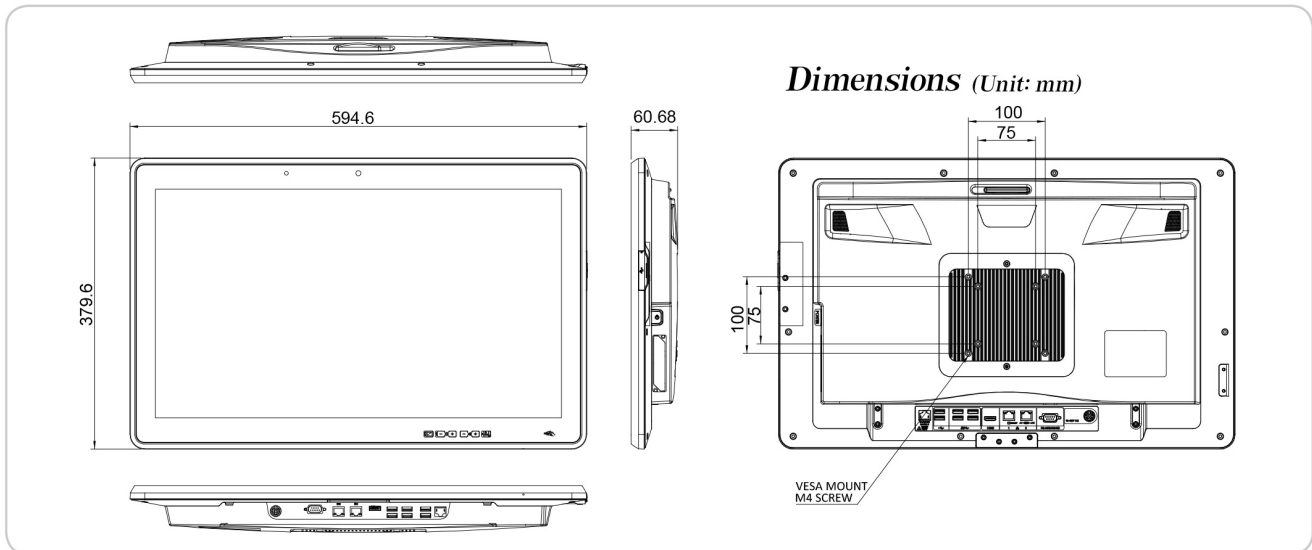
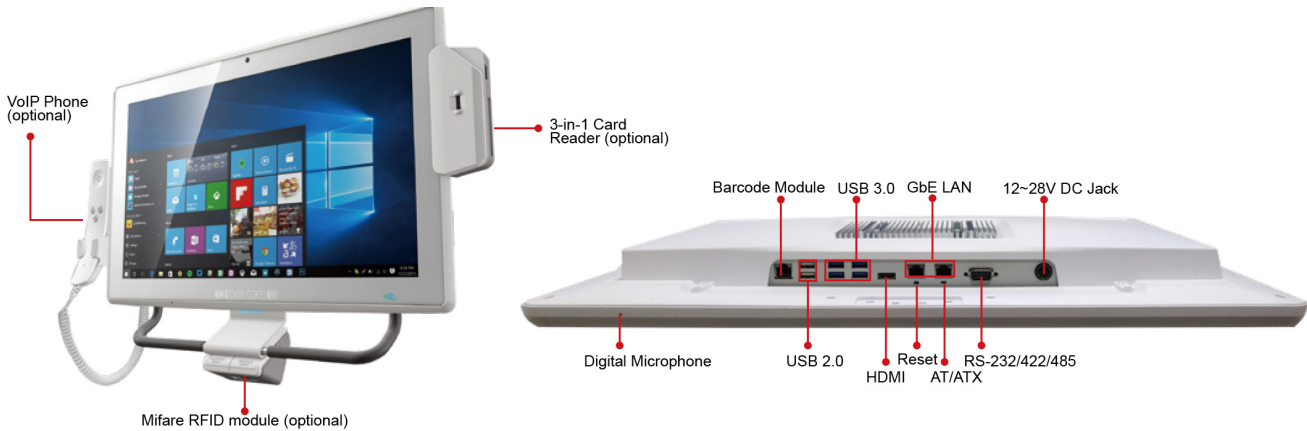


FEATURES:

- 24" fanless FHD medical grade panel PC
- Intel Core™ i5-6300U (Skylake) processor
- PCAP touch allows multi-touch, multi-layer gloves and water on screen operation
- Anti-bacteria housing with IP65 front bezel and IP32 rear cover protection
- E-Window expansion slot



I/O INTERFACE



SPECIFICATIONS:

LCD SPECS	LCD Display	24"	
	Max Resolution	1920 (W) x 1080 (H)	
	Brightness (cd/m ²)	250	
	Contrast Ratio	1000:1	
	LCD Color	16.7M colors (RGB 6-bit + HI_FRC)	
	Pixel Pitch (mm)	0.2745 (H) x 0.2745 (V)	
	Viewing Angle (H-V)	178°(H) / 178°(V)	
TOUCH	Backlight MTBF (hrs)	30000 (LED backlight)	
	Touchscreen	Projected capacitive type with 10-point multi-touch	
SYSTEM	Surface Hardness	6H	
	CPU Support	6th generation Intel® mobile ULT Core™ i7-6600U / Core™ i5-6300U / Celeron® 3855U 7th generation Intel® mobile ULT Kaby Lake on-board SoC (by project base)	
	RAM	Two 260-pin 1600/1333MHz dual-channel DDR4 SO-DIMM, 4GB pre-installed (system max. 32GB)	
	I/O Port	1 x RJ-11 for 1D/2D barcode reader 4 x USB 2.0 (2 on the side) 4 x USB 3.0 port 1 x HDMI output	2 x GbE LAN port 1 x RS-232/422/485 1 x 12~28V DC jack
	Storage	1 x 2.5" SATA 6Gb/s HDD bay 1 x mSATA (E-Window)	
	Audio	2 x 3W Speaker	
	Webcam & Microphone	5-megapixel CMOS front-facing camera with auto-focus and digital microphone	
	Expansion Interface	1 x PCIe Mini reserved for E-Window expansion	
OTHER FEATURES	LED Indicator	RFID indicator	
	Function Key	1 x LCD on/off 1 x Brightness up 1 x Brightness down 1 x Volume up 1 x Volume down 1 x Touch lock button for cleaning	Combinations: 1 x Lock/Unlock OSD 1 x Power on/off
	Light Sensor	Ambient light sensor for panel brightness adjustment	
	Cooling Method	Fan-less	
CONNECTIVITY	Wi-Fi and Bluetooth	IEEE 802.11 a/b/g/n/ac 2T2R module with Bluetooth V4.1 (M.2 2230 A-E key module)	
PHYSICAL	Construction Material	ABS+PC plastic with anti-bacterial material	
	Mounting	Wall, Stand and Arm VESA 100/75	
	Net Weight	7.5 Kg	
	Dimensions (WxHxD) (mm)	594.6 x 379.6 x 60.68mm	
ENVIRONMENT	Operating Temperature	0°C~40°C	
	Storage Temperature	-20°C~60°C	
	Humidity	10% to 95% (non-condensing)	
	Vibration	1G	
	Shock	Operating Shock: 5G peak acceleration (11ms duration) Non-Operating Shock: 15G peak acceleration (11ms duration)	
	IP Level	IP65 compliant front panel	
POWER	Power Input	12V~28V DC input	
	Power Adapter	120W medical power adapter: Input: 90V~264V AC, Output: 19V DC	
CERTIFICATION	CE, FCC Class B part 18, ANSI/AAMI ES60601-1 CAN/CSA-C22.2 No. 60601-1:14, IEC 60601-1-6/IEC62366, ISO 14971		