

32" Widescreen Front NEMA/IP65 Panel LCD Monitor

Model: iNAP-3200W



Remote Controller

Features

- Wide 32" (16 : 9) TFT LCD panel support 1366 x 768 pixels
- 6mm aluminum front bezel with 45 degree chamfer
- 500 cd/m2 industrial brightness
- OSD control keys & remote controller to optimize the display
- Support Picture in Picture (PIP)
- Built-in VGA & HDMI input
- Built-in video input (Component, S-Video & RCA)
- Built-in audio input with speaker
- Optional TV tuner
- A wide range of mounting kits (VESA-mount, Wall-mount, Mounting bracket, OEM mounting design...)

Options

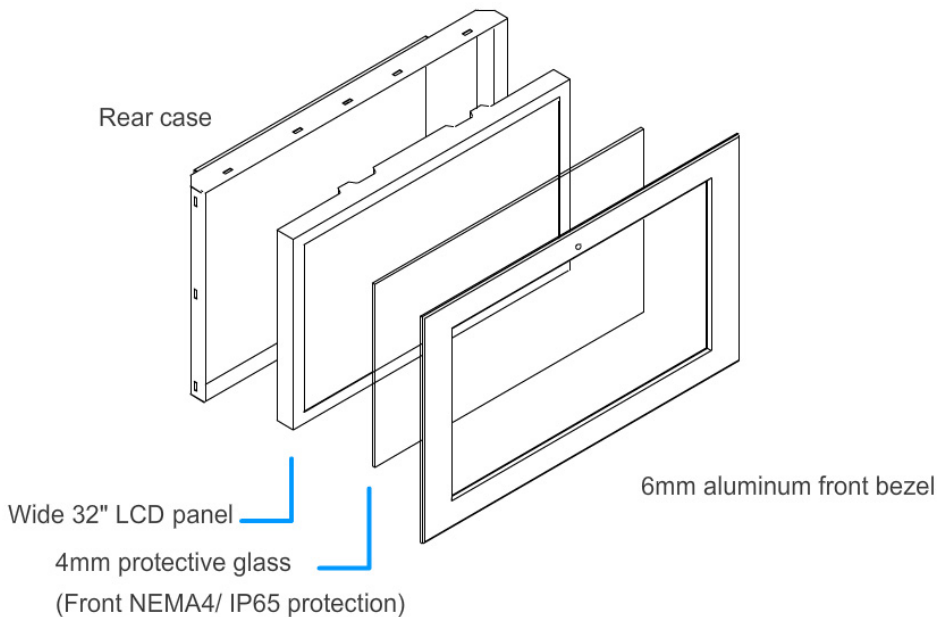


TV Tuner


Application

- Industrial process control LCD panel
- Point of sales / Kiosk
- Security / surveillance
- Flight information display panel

Mechanical Drawing



Specifications:

LCD Panel	
LCD	
Manufacturer	Grade A industrial TFT LCD Panel
LCD Type	Wide 32" diagonal (16:9)
Panel Size	698 x 392 mm (HxV)
Display Area	1366 x 768
Max. Resolution	500 cd/m2 (Typical)
Brightness	16.7 Mil.
Color Support	89° / 89° / 89° / 89° (L / R / U / D)
Viewing Angle	1200 : 1 (Typical)
Contrast Ratio	10 ms
Tr Respones Time	0.511 x 0.17 mm
Pixel Pitch	Brightness, Contrast, Phase & Clock, Color, H & V position, Auto-tune & Recall
OSD Control	50,000 hrs
LCD MTBF	
Mechanical	
Material	6mm Aluminum (Front panel), 1.2mm Steel (Rear case)
Finish	Powder Coating
Color	Front Panel : Black, Back : Dark Grey (RAL7037)
Dimension	850 x 125 x 520 mm (WxDxH)
Weight	23 kg
Package Information	
Carton Box	963 x 240 x 632 mm (WxDxH)
Weight	39 kg
Signal Input	
Input Video Signal	Analog RGB
Video Level	Analog: 0.7Vp-p
Sync Type	Separate H/V, Composite H/V
Input Connector	D-Sub 15 pin VGA analog
Video Input	
Video Input	HDMI, Componet (Y+Pb+Pr), S-Video and Composite
Connectors	HDMI, RCA x 3, S-Video (Mini-DIN 4), RCA
Audio Input	
Audio Input	Analog audio 2-channel (L/R)
Connectors	Audio RCA x 2
Protective Glass	
Material	4 mm protective glass (front NEMA4/ IP 65 protection)
Power	
Power Input	Auto-sensing 100 to 240VAC, 50 / 60Hz
Power Consumption	Max. 200 Watt, Standby 20 Watt
Environmental	
Operation	0° to 50°C Degree
Storage	-5° to 60°C Degree
Relative Humidity	5~90%, non-condensing
Shock	10G acceleration (11ms duration)
Vibration	5~500Hz 1G RMS random vibration

Options:

TV Tuner	
Signal Input	NTSC, PAL (I, B, G, H, M, D, N), SECAM (D, K, L, B, G)
Connectors	RF