

40" Widescreen Open Frame Panel LCD Monitor

Model: iOP4000W



Remote Controller

Features

- Wide 40" (16 : 9) TFT LCD panel support 1366 x 768 pixels
- Universal open frame mounting for various applications
- 500 cd/m2 industrial brightness
- OSD control keys & remote controller to optimize the display
- Support Picture in Picture (PIP)
- Built-in VGA & HDMI input
- Built-in video input (Component, S-Video & RCA)
- Built-in audio input with speaker
- Optional TV tuner
- A wide range of mounting kits (VESA-mount, open frame kit, OEM mounting design...)

Options

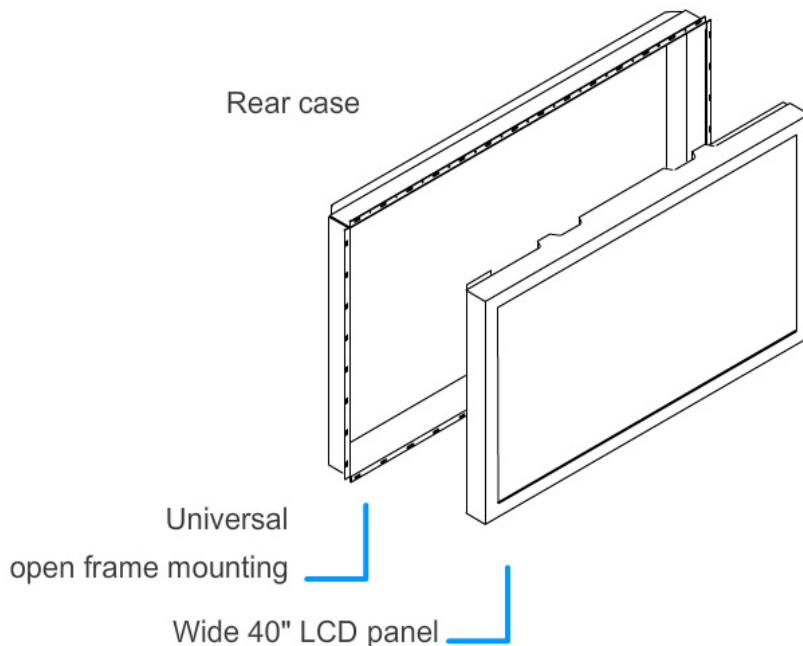


TV Tuner


Application

- Industrial process control LCD panel
- Point of sales / Kiosk
- Security / surveillance
- Flight information display panel

Mechanical Drawing



Specifications:

LCD Panel	
LCD	
Manufacturer	Grade A industrial TFT LCD Panel
LCD Type	Wide 40" diagonal (16:9)
Panel Size	885 x 498 mm (HxV)
Display Area	1366 x 768
Max. Resolution	500 cd/m2
Brightness	16.7 Mil.
Color Support	89° / 89° / 89° / 89° (L / R / U / D)
Viewing Angle	2000 : 1 (Typical)
Contrast Ratio	10 ms
Tr Respones Time	0.648 x 0.216 mm
Pixel Pitch	Brightness, Contrast, Phase & Clock, Color, H & V position, Auto-tune & Recall
OSD Control	50,000 hrs
LCD MTBF	
Mechanical	
Material	1.2mm Steel
Color	Black
Dimension	1028 x 116 x 611 mm (WxDxH)
Weight	45 kg
Package Information	
Carton Box	1142 x 261 x 725 mm (WxDxH)
Weight	60 kg
Signal Input	
Input Video Signal	Analog RGB
Video Level	Analog: 0.7Vp-p
Sync Type	Separate H/V, Composite H/V
Input Connector	D-Sub 15 pin VGA analog
Video Input	
Video Input	HDMI, Component (Y+Pb+Pr), S-Video and Composite
Connectors	HDMI, RCA x 3, S-Video (Mini-DIN 4), RCA
Audio Input	
Audio Input	Analog audio 2-channel (L/R)
Connectors	Audio RCA x 2
Power	
Power Input	Auto-sensing 100 to 240VAC, 50 / 60Hz
Power Consumption	Max. 200 Watt, Standby 20 Watt
Environmental	
Operation	0° to 50°C Degree
Storage	-5° to 60°C Degree
Relative Humidity	5~90%, non-condensing
Shock	10G acceleration (11ms duration)
Vibration	5~500Hz 1G RMS random vibration

Options:

TV Tuner	
Signal Input	NTSC, PAL (I, B, G, H, M, D, N), SECAM (D, K, L, B, G)
Connectors	RF