

Chassis Monitor

Chassis Monitor

26" (16:9)

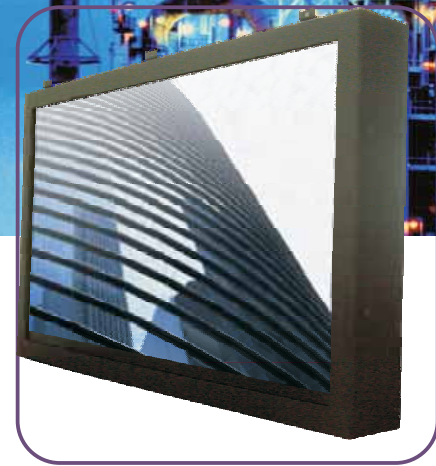
Specifications

Model Name	WCH2600S1
Viewable Size Image	26"(16:9)
Active Display Area(mm)	575.77(H)x323.71(V)
Pixel Pitch(mm)	0.51075x0.51075
Number of Pixels	1366x768
Contrast Ratio	1000:1(typ.)
Display Color	16.7M(8bit/colors)
Brightness(cd/m ²)	450
Viewing Angle(CR>=10)	-85~85(H); -85~85(V)
Synchronization Range	31.5~47.6KHz/50~60Hz
Horizontal/Vertical	
Recommended Resolution	1366x768@60Hz,75Hz
Signal Connector	15 pin D-sub
Power Source	AC100~240V, Universal, 10%
Power Consumption	145W typical, normal operation
Power Management	VESA DPMS Compliant
Plug & Play	VESA DDC 1/2B
Optional Video Input	S-Video, Composite
Optional DVI Input	Yes
Optional Touch Screen	SAW

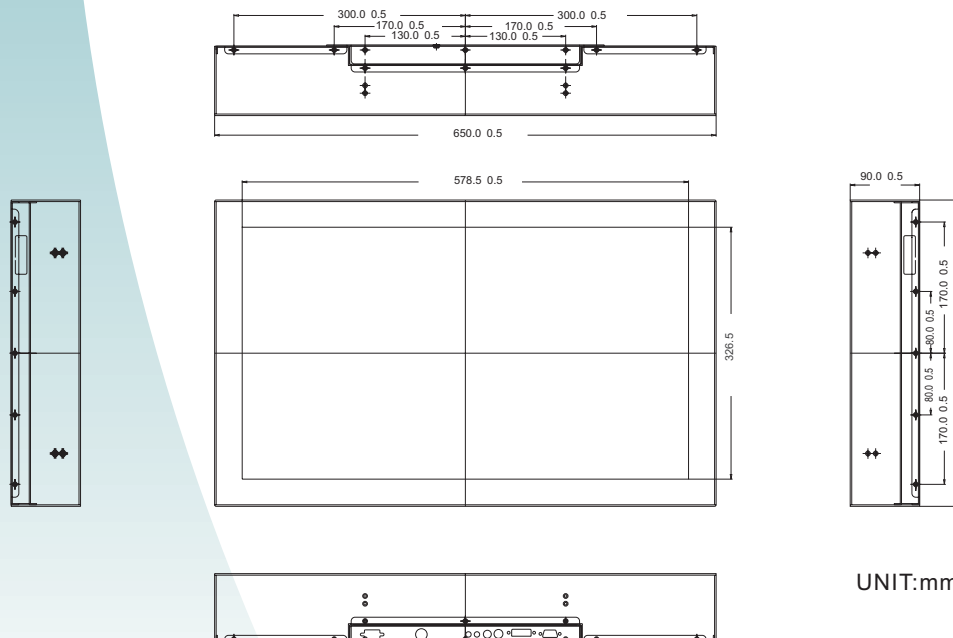
Remarks:WWCH2600S1 = VGA Input only

WWCH2600S1AV = VGA+Video Input

*By Customized



Mechanical Drawing



UNIT:mm