

## Chassis Monitor

37" (16:9)

### Specifications

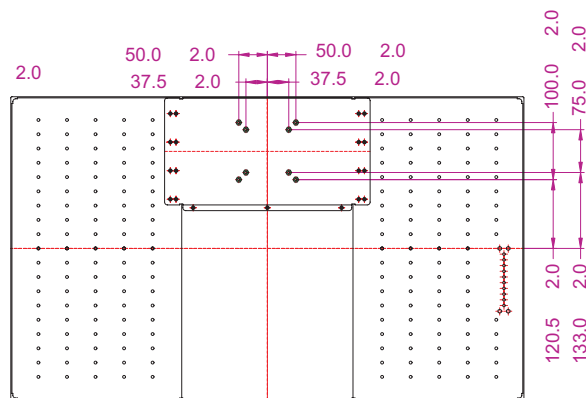
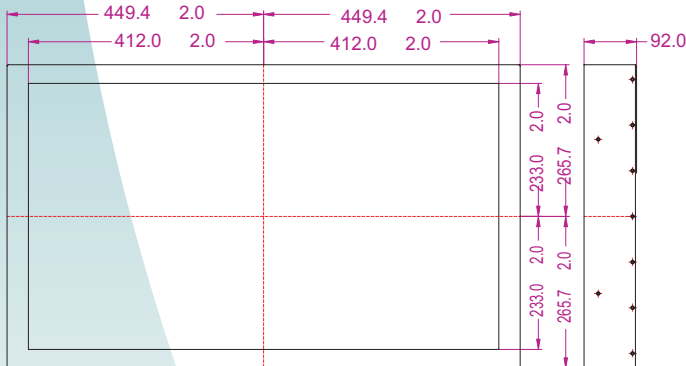
Model Name	WCH3700A1
Viewable Size Image	37"(16:9)
Active Display Area(mm)	819.36(H)x460.89(V)
Pixel Pitch(mm)	0.42675x0.42675
Number of Pixels	1920x1080
Contrast Ratio	800:1(typ.)
Display Color	16.7M(8bit/colors)
Brightness(cd/m <sup>2</sup> )	550
Viewing Angle(CR>=10)	-85~85(H); -85~85(V)
Synchronization Range	31.5~74.5KHz/56~59.9Hz
Horizontal/Vertical	
Recommended Resolution	1920x1080@60Hz,75Hz
Signal Connector	15 pin D-sub
Power Source	AC100~240V, Universal, 10%
Power Consumption	165W typical, normal operation
Power Management	VESA DPMS Compliant
Plug & Play	VESA DDC 1/2B
Optional Video Input	S-Video, Composite
Optional DVI Input	Yes
Optional Touch Screen	SAW

Remarks:WCH3700A1 = VGA Input only

WCH3700A1AV = VGA+Video Input

\*By Customized

### Mechanical Drawing



UNIT:mm

