

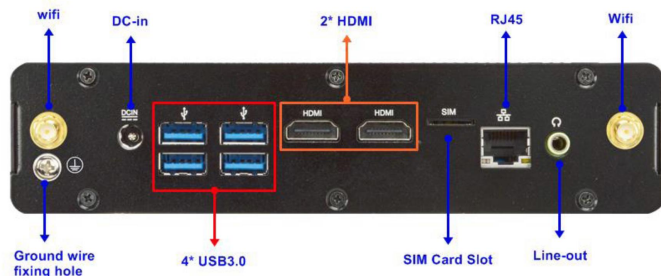
# FANLESS EMBEDDED PC

Mini box Industrial PC, Intel Celeron J3455 CPU with adapter  
2GB RAM DDR3L, 32GB M.2 SSD with 2 x HDMI output

**MODEL: JT6630-J3**



**Rear**



**Front**



## FEATURES:

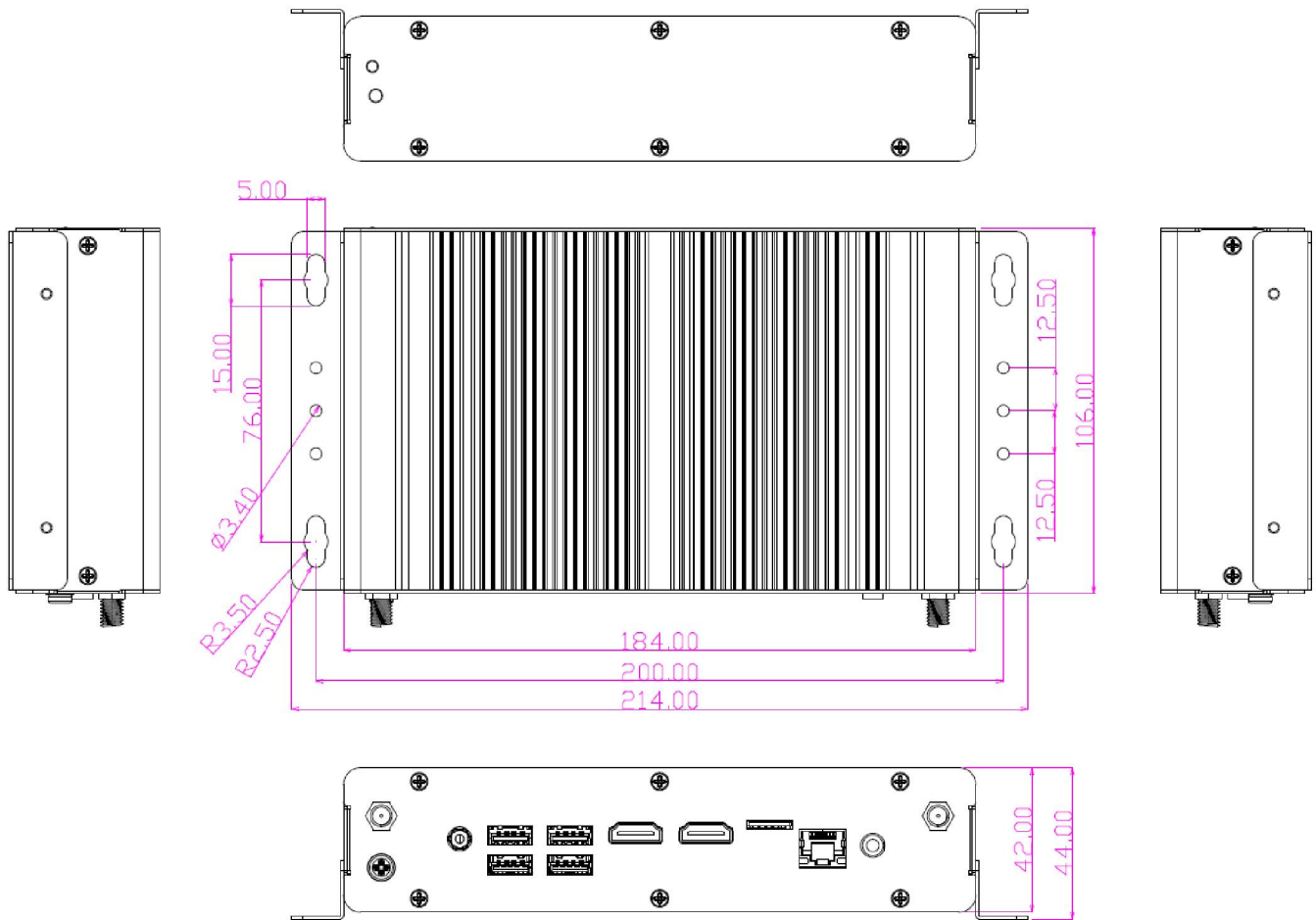
- Intel Apollo Lake J3455 Processor
- DDR3L 1866MHz SO-DIMM, up to 8GB
- HDMI, 4 \* USB3.0, 1 \* RJ45, 1 \* SIM Slot, 1 \* Line out
- 1 \* Full size Mini PCIe & 1 \* M.2 (M-key, 2242/2280) & 1 \* M.2 (E-key, 2230)
- M/B Form Factor : 3.5" SBC(148x102mm)
- DC-12V\_60W Adapter

## SPECIFICATIONS:

<b>MB Model</b>	JNF832-J3455 / 3.5" SBC
<b>BIOS</b>	AMI Flash ROM
<b>CPU/Chipset</b>	Intel® Apollo Lake J3455 SoC Processor
<b>Memory</b>	1 * DDR3L 1866MHz SDRAM SO-DIMM up to 8GB
<b>Storage</b>	1 * 2.5" SATAIII 6Gb/s internal drive bay (only support 2.5" HDD with a height ≤ 10mm) 1 * M.2 (M-key, 2242/2280) for SSD
<b>Network</b>	1 * Realtek RTL8111H GbE 1 * Full-size mini-PCIe slot (Expandable WIFI module) 1 * M.2 (E-key 2230) PCIe slot (Expandable WIFI module)
<b>Rear Panel I/O</b>	4 * USB 3.0 2 * HDMI 1.4b (Max. Resolution: 3840 x 2160@30Hz) 1 * RJ45, 1 * Line-out 1 * Micro-SIM Card slot
<b>Front Panel I/O</b>	1 * Power button, 1 * Power LED
<b>Power Source</b>	AC-DC Adapter / AC 90~240V / DC12V-5A-60W
<b>Compliance</b>	CE, FCC, RoHS, ErP Ready
<b>Temperature</b>	Operating Temperature: 0 ~ 50°C Storage Temperature: -20 ~ 70°C
<b>Dimensions</b>	184 (W) x 106 (D) x 42 (H) mm
<b>Packing</b>	Net Weight: 1.4KG Gross Weight: 2.4 KG Color Box dimension: 265 (W) * 200 (D) * 100 (H) mm
<b>OS Support</b>	Windows 10, Linux
<b>Warranty</b>	2 Year limited warranty

\* Specifications subject to change without notice, not responsible for typographical errors. Does not include HDD or OS.

**MECHANICAL DRAWINGS:**



**ACCESSORIES:**

Description
Adapter 12V 5A 60W
Power cord
Screw Pack
Wall Mount
Antenna2G4-2dBi R-AN2400-5701RS (WIFI only)