

10.1" 350nits TFT FanLess Panel Computer  
with Rock Chip ARM Cortex RK3288 1.8GHz Quad Cores Processor  
OS Support Android 5.1, Android 9.0 or Debian 9.0  
with PoE Input Support

**MODEL: JTPCW1010AO-POE**

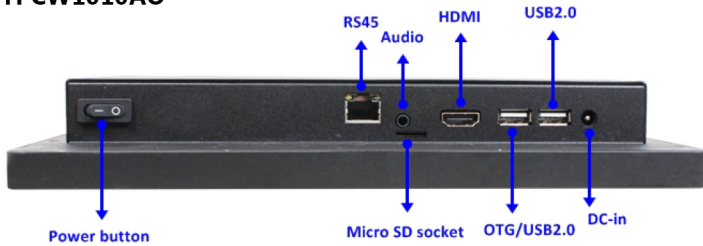
## FEATURES:

- 10.1" 350 nits TFT LCD with LED backlight
- On board 1333/2GB DDR3L DRAM
- On board 8G Flash ROM
- Strong solid aluminum frame design and Fanless cooling system
- Design for easy Wall mount, VESA Mount installation
- A true Flat, easy-to-clean front surface with edge-to-edge design
- Front IP65 for protection against water and dust
- JTPCW1010AO: 12V DC in
- JTPCW1010AO-POE: Support PoE input

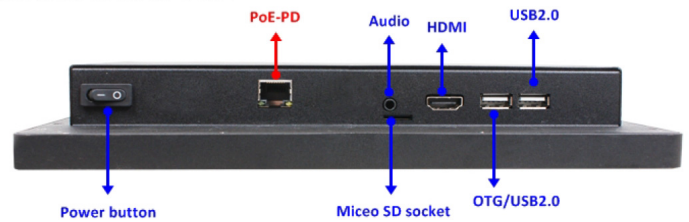


## EXTERNAL I/O

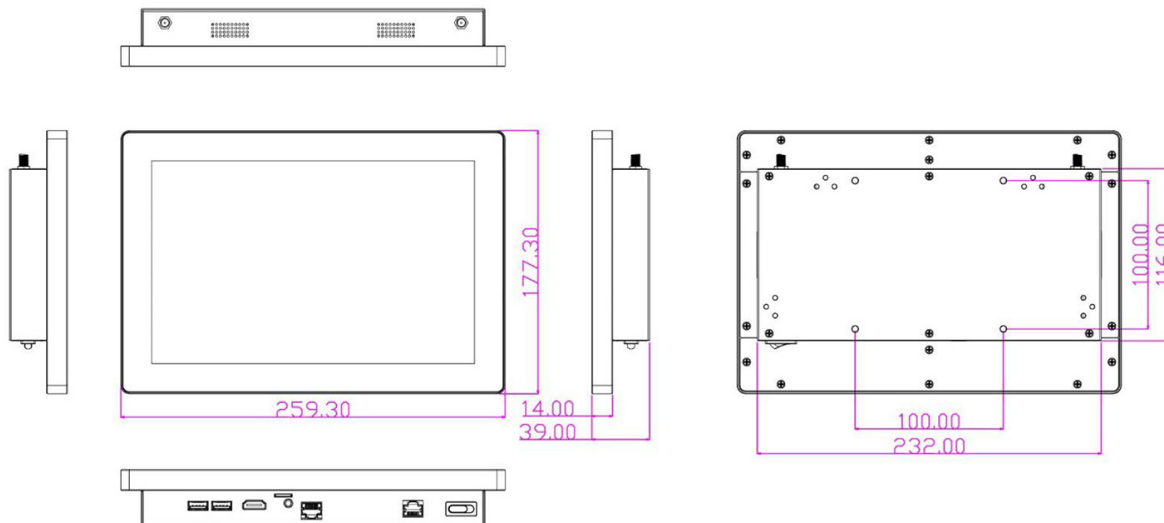
JTPCW1010AO



JTPCW1010AO-POE



## MECHANICAL DRAWINGS



## SPECIFICATIONS:

<b>Display</b>	
Front Bezel	IP65, NEMA 4 rugged protection, metal front bezel
Display Type	10.1" With LED Backlight
Brightness (cd/m <sup>2</sup> )	350 nits
Display Color	262K
Resolution	1280 x 800 @ 60Hz resolution
Viewing Angle (H/V)	160°/160°
Pixel Pitch	0.1695 x 0.1695mm
Aspect Ratio	16:10
Contrast Ratio	600:1
Response Time	25ms
<b>Touch Screen</b>	
Type	Projected capacitive type
Active Range	257.10 x 159.66mm ±0.2mm active range
Transparency	≥ 87%
Operating Force	≤ 80g
Surface Hardness	≥ 6H (ASTM D3363, pressure 1N/45°)
<b>CASE</b>	
Panel Material	Aluminum
Case Material	Iron
Color	Black
Coating Requirement	Spray paint coating requirement
<b>Main System</b>	
CPU	Rock Chip@ ARM Cortex A17 1.8GHz/QC
RAM	Onboard 1333/2GB DDR3L DRAM
Flash ROM	Onboard 8G Flash ROM
Watchdog Timer	Watchdog Timer 256 levels, 0~255 sec.
Speaker	2*2W/8Ohm
Camera	1* 500W USB (Option)
OS Support	Android 5.1/9.0 or Debian 9.0
Expansion	1* Micro SD socket
<b>(POE )JTPCW1010AO-POE</b>	
Regulatory Compliance	IEEE802.3af (PoE)
Input Power	44~57V input
Pass Through Data Rates	10/100/1000 Mbps
Power Consumption	8.5W
<b>I/O Connector</b>	
2* USB2.0 (USB1 Co-lay OTG)	
1* HDMI	
1* AUDIO(Line-out +MIC)	
1* Micro SD Socket	
1* Power Button	
JTPCW1010AO	1* RJ45, 1* DC-in
JTPCW1010AO-POE	1* PoE PD
<b>Power Input</b>	
JTPCW1010AO	12V DC-in
JTPCW1010AO-POE	44~57V input
<b>Power Consumption</b>	
8.5W	
<b>Compliance</b>	
CE, FCC, IP65(Front)-Option	
<b>Temperature</b>	
Operating:	-10°C ~ 50°C
Storage:	-20°C ~ 60°C
<b>Dimensions</b>	259.3 * 177.3 * 39.0mm
<b>Safety</b>	
Shock: 15G, 11ms duration	
Vibration: 5~500Hz/1 Grms	
<b>Warranty</b>	2 Years Limited Warranty (Panel and Touch are only 1 Year Warranty)
*Specifications subject to change without notice, not responsible for typographical errors. Does not include HDD or OS.	
<b>Accessories</b>	
JTPCW1010AO/JTPCW1010AO-POE	40W AC-DC Adapter (for JTPCW1010AO)
Power cord (for JTPCW1010AO)	WiFi Antenna