

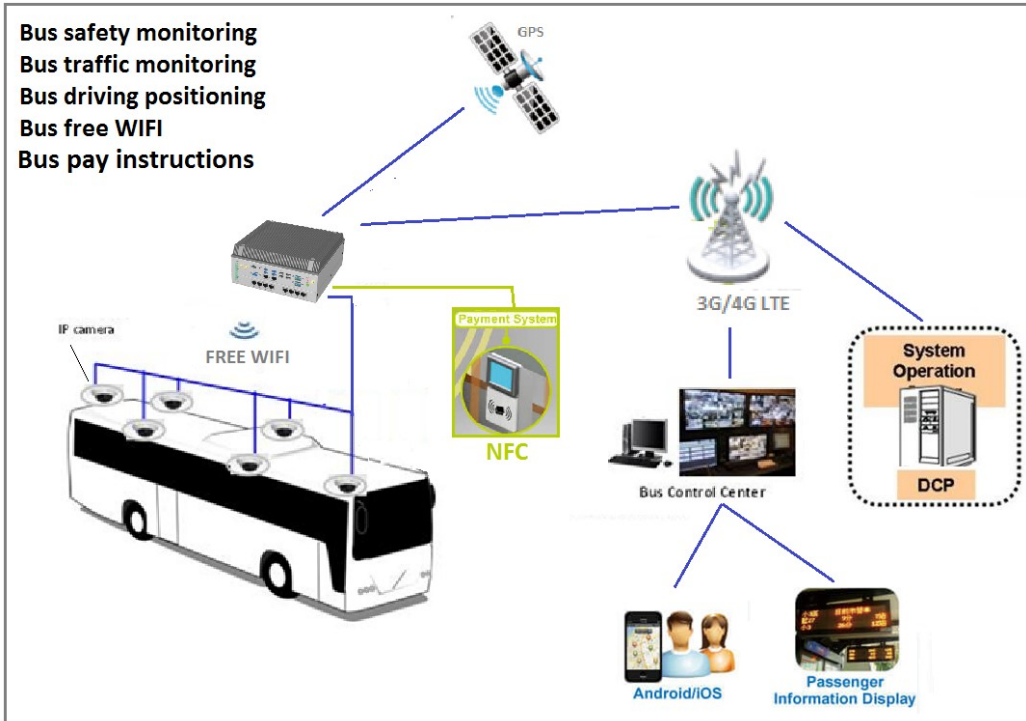
VEHICLE FANLESS SYSTEM

Vehicle Fanless System with Intel Core i3 7100U, AMI Flash ROM,
2 * DDR4 2133MHz SO-DIMM slots up to 32GB and 2 * 2.5" SATA Device tray

MODEL: JV3700-i3



APPLICATION



- -Public transportation has always been a convenient method of travel.
- -Many people rely on it to get to work, school or other destinations on their schedules.
- -The latest digitized systems that are now being implemented in public transportation vehicles and smart bus stops will take ease-of-use to another level.
- -Passengers will now be able to access instantaneous times of buses, watch news and have a more interactive experience.



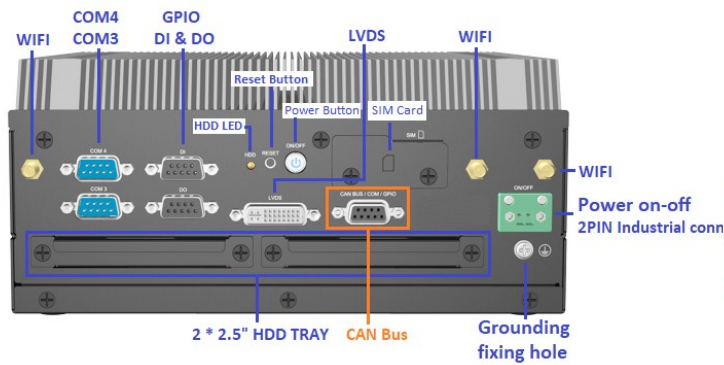
SPECIFICATIONS:

BIOS	AMI Flash ROM
CPU/Chipset	Intel® KabyLake-U Core-i3 7100 SoC Processor
Memory	Support 2 * DDR4 2133MHz SO-DIMM slots up to 32GB
Storage	Support 2 * 2.5" SATA Device tray (Removable hard drive) Support 1 * full-size mSATA slot
Network	1 * Intel® i219LM & 1 * Intel® i210AT GbE
Expansion	2 * Mini PCIe (full-size, for WiFi & CAN BUS expansion) 1 * Mini PCIe slot (only USB signal, full-size, for 4G LTE + GPS expansion)
Rear Panel I/O	4 * USB 2.0, 4 * USB 3.0 1 * HDMI (Max. resolution:4096 x 2304@24Hz) 1 * VGA (Max. resolution:1920 x 1080@60Hz) 2 * RJ45, 8 * 1000M PoE (23W/per port) 1 * Line-out, 1 * MIC 2 * COM (RS232/RS422/RS485) 1 * DC 9~36V_3PIN Industrial connector, 1 * DC 48~52V_2PIN Industrial connector 1 * Clear COMS Button 1 * AT Mode setting_2PIN Industrial connector 2 * Antenna holes (Optional)
Front Panel I/O	1 * Power Button + LED, 1 * Reset Button, 1 * HDD LED 1 * Power on-off_2PIN Industrial connector 2 * COM (RS232), 2 * GPIO (DI &DO/ 4 BIT) 1 * LVDS out (Max. resolution:1920 x 1080@60Hz) 3 * SIM card holes 2 * 2.5" SATA Device tray (Easy to change HDD) 1 * Lightning protection grounding fixing hole 1 * CAN Bus (DB9 Type _ Optional) 3 * Antenna holes (Optional)

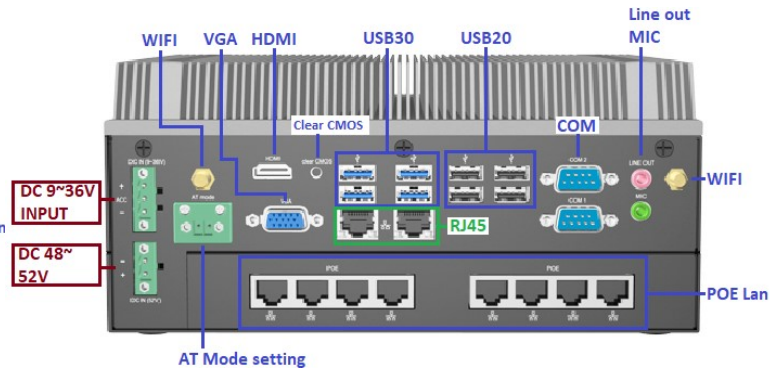
Power Source	DC 9~36V INPUT for SYSTEM (Support Boot & Shutdown delay function _ITPS) DC 48~52V INPUT for POE LAN
Compliance	CE, FCC, LVD, RoHS
Safety	Vibration test: ----- Shock test: -----
Temperature	Operating Temperature: -20~70° C Storage Temperature: -20~70° C
Dimensions	232 (W) x 231.4 (D) x 103 (H) mm
Packing	Net Weight: 2.7KG Gross Weight: 3.7KG Color Box dimension: --- (W) * --- (D) * --- (H) mm
OS Support	Windows 10, Linux
Warranty	2 Years limited warranty

EXTERNAL I/O

FRONT



REAR



DRAWINGS

