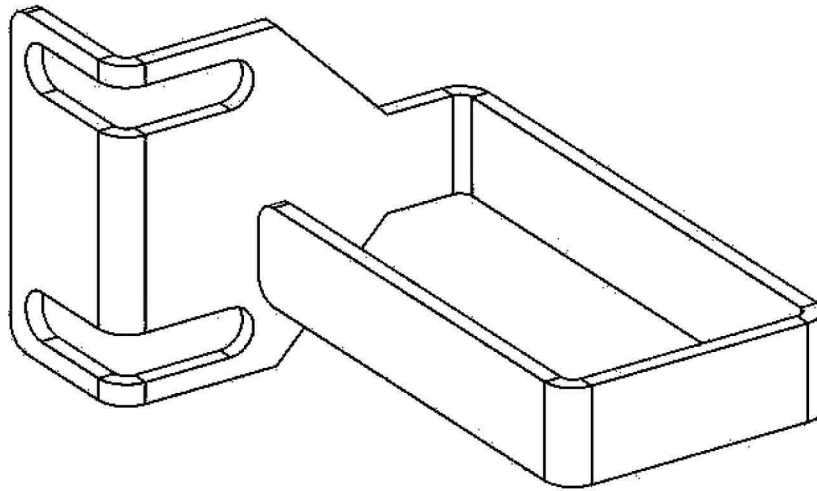


KENDALL HOWARD ®

Assembly Instructions

Universal Wire Minder

SKU: 0004-1-002-01

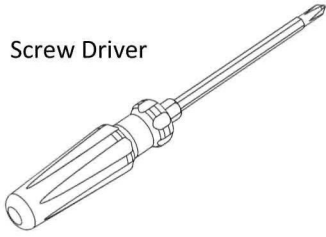


Distributed by : i-Tech Company LLC

TOLL FREE: (888) 483-2418 • EMAIL: info@iTechLCD.com • WEB: www.iTechLCD.com

Tools Needed:

Screw Driver

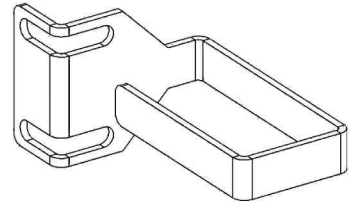


You may also need:

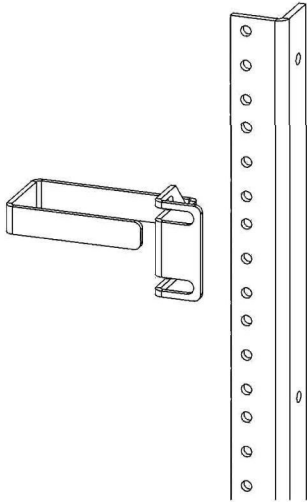


What's in the box?

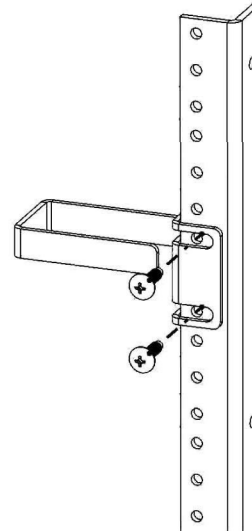
Qty 1—Wire Minder



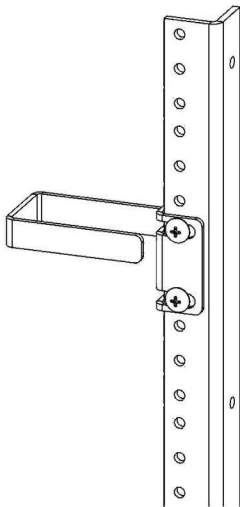
Step 1:



Step 2:

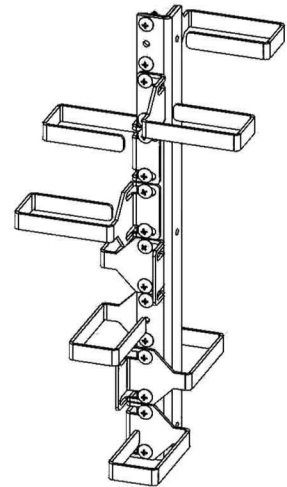


Step 3:



Step 4:

Mount in different positions and configurations to manage wires.



Distributed by : i-Tech Company LLC

TOLL FREE: (888) 483-2418 • EMAIL: info@iTechLCD.com • WEB: www.iTechLCD.com