

Assembly Instructions

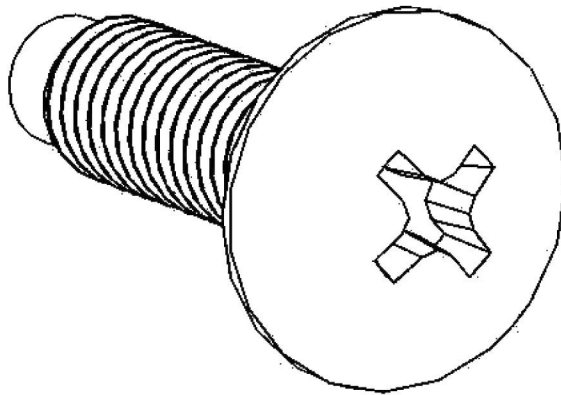
Rack Screws

10-32 - 0100-1-011-01, 0100-1-012-01, 0100-3-300-01

M5 - 0100-1-011-02, 0100-1-012-02, 0100-3-300-02

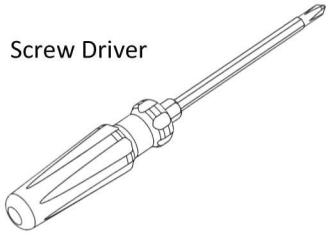
12-24 - 0100-1-011-03, 0100-1-012-03, 0100-3-300-03

M6 - 0100-1-011-014, 0100-1-012-04, 0100-3-300-04



Tools Needed:

Screw Driver



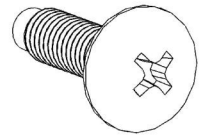
You may also need:

Cage Nuts



What's in the box?

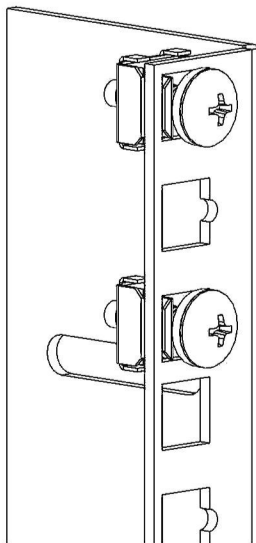
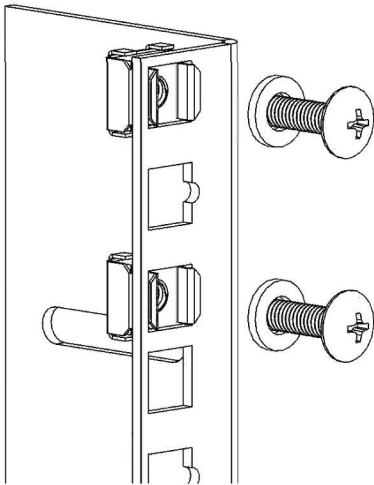
Rack Screws



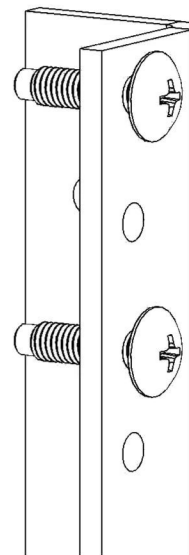
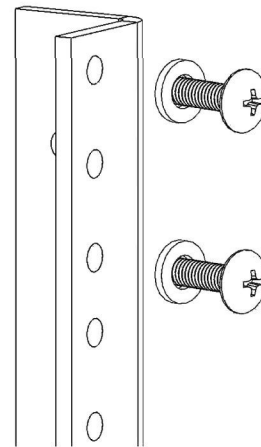
Washers



Cage Nut Style Rail



Tapped Rail



Distributed by : i-Tech Company LLC

TOLL FREE: (888) 483-2418 • EMAIL: info@iTechLCD.com • WEB: www.iTechLCD.com