

Installation Instructions

Flat Cable Lacing Panel

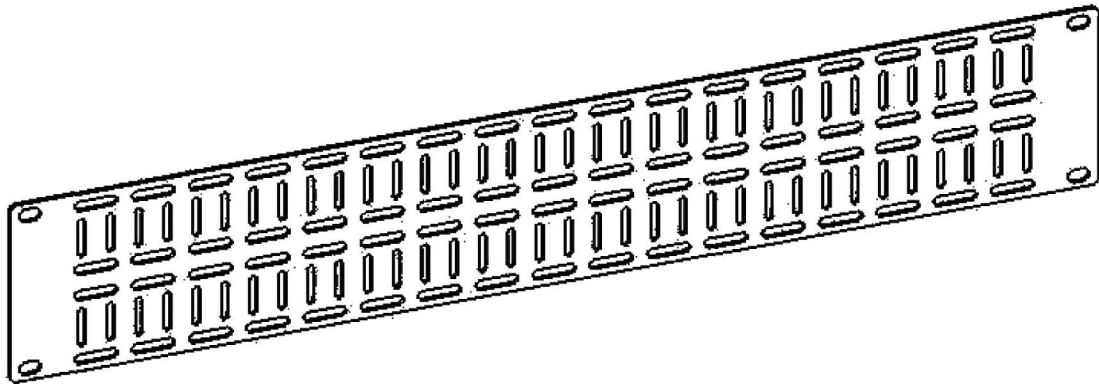
Part Numbers:

1903-1-001-01 1U Flat Cable Lacing Panel

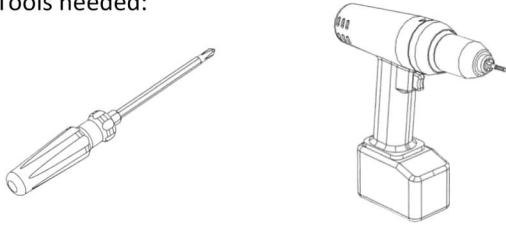
1903-1-002-02 2U Flat Cable Lacing Panel

1903-1-011-01 1U Flat Cable Lacing Panel - 10 Pack

1903-1-012-02 2U Flat Cable Lacing Panel - 10 Pack



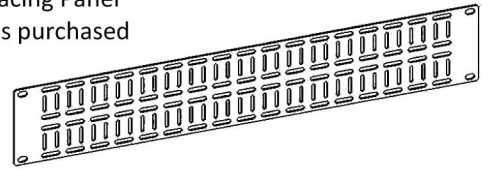
Tools needed:



Screwdriver or Drill

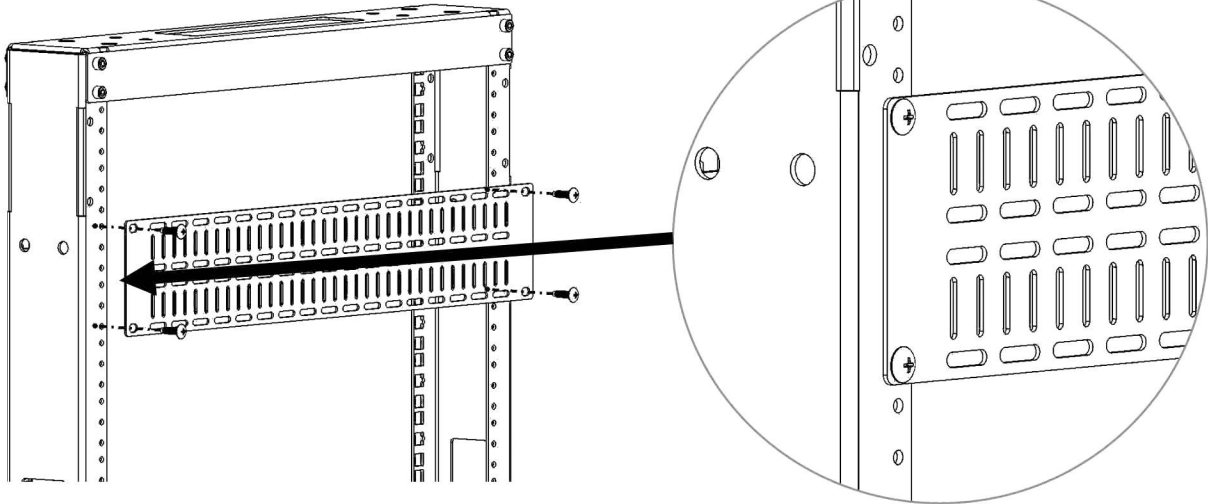
What's in the box?

Qty 1* - Flat Lacing Panel
*10 if 10-Pack is purchased

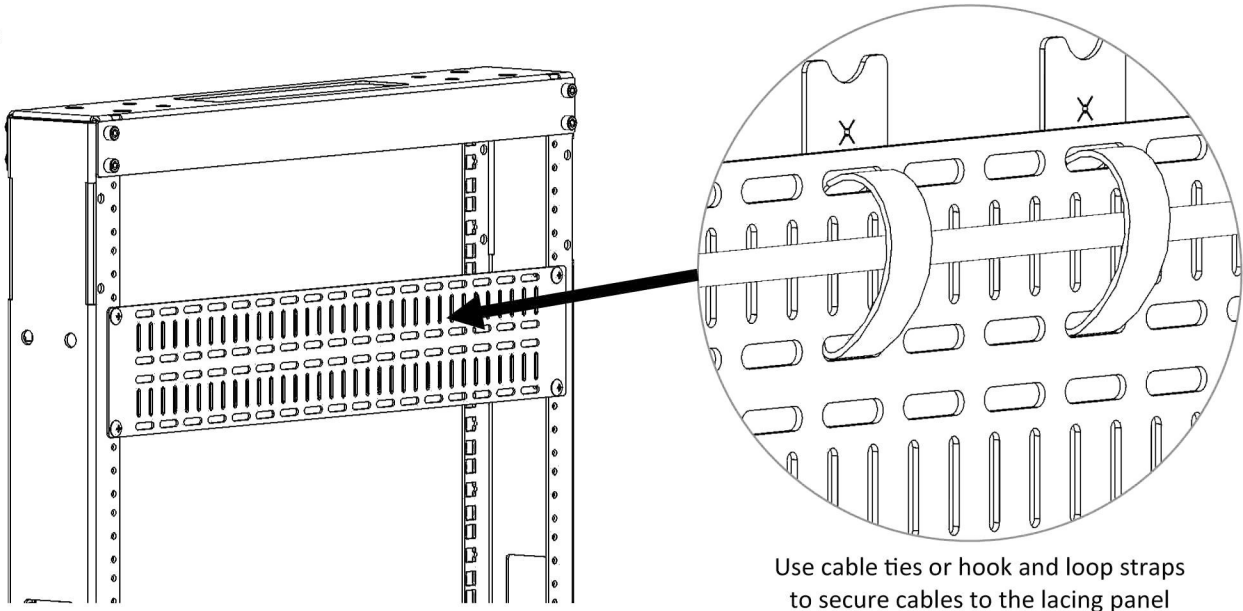


** You will need to supply your own mounting hardware

Step 1:



Step 2:



Use cable ties or hook and loop straps to secure cables to the lacing panel



Distributed by : i-Tech Company LLC

TOLL FREE: (888) 483-2418 • EMAIL: info@iTechLCD.com • WEB: www.iTechLCD.com