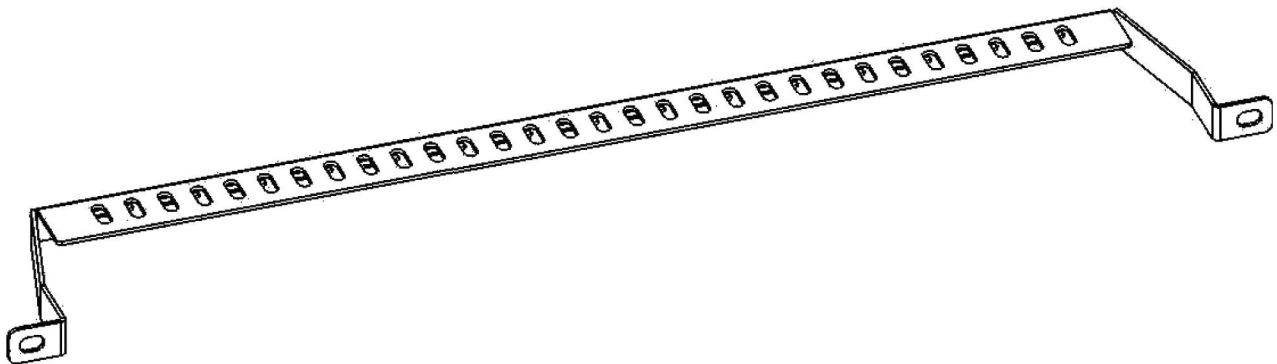


## Installation Instructions

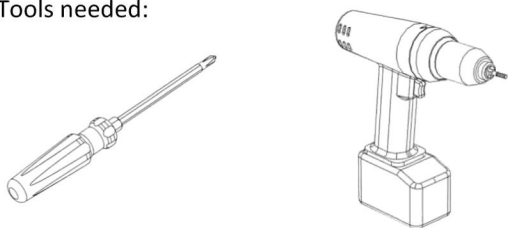
# Flanged Lacing Bars

### Part Numbers:

- 1903-1-100-00 Flanged Lacing Bar**
- 1903-1-101-00 3" D Flanged Lacing Bar**
- 1903-1-102-00 5" D Flanged Lacing Bar**
- 1903-1-110-00 Flanged Lacing Bar - 10 Pack**
- 1903-1-111-00 3" D Flanged Lacing Bar - 10 Pack**
- 1903-1-112-00 5" D Flanged Lacing Bar- 10 Pack**



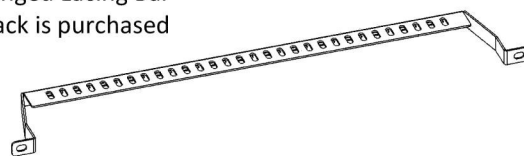
Tools needed:



Screwdriver or Drill

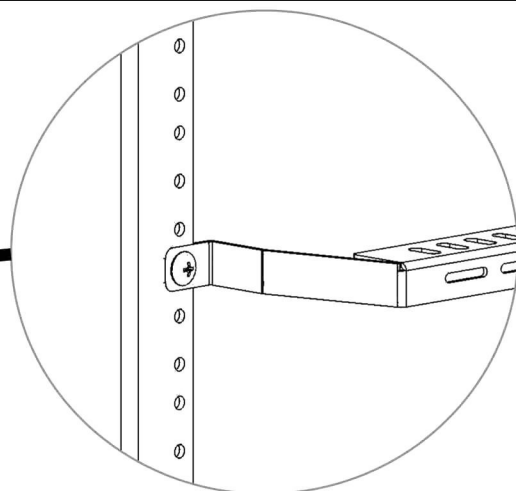
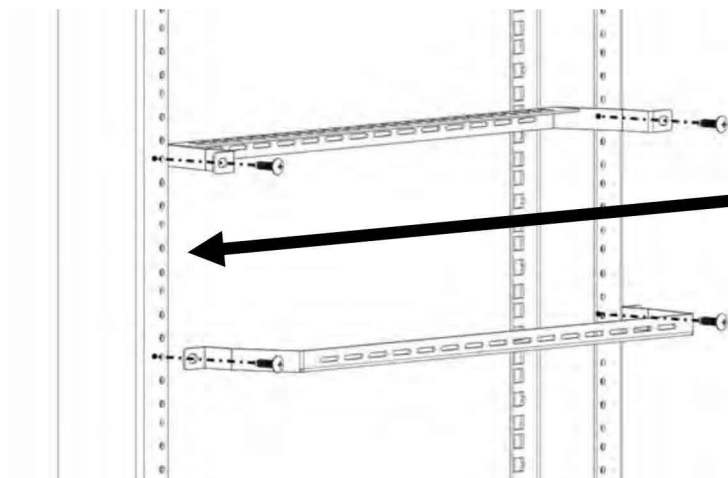
What's in the box?

Qty 1\* - Flanged Lacing Bar  
\*10 if 10-Pack is purchased



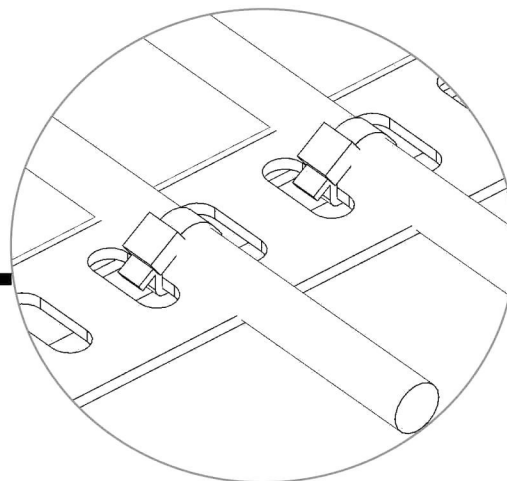
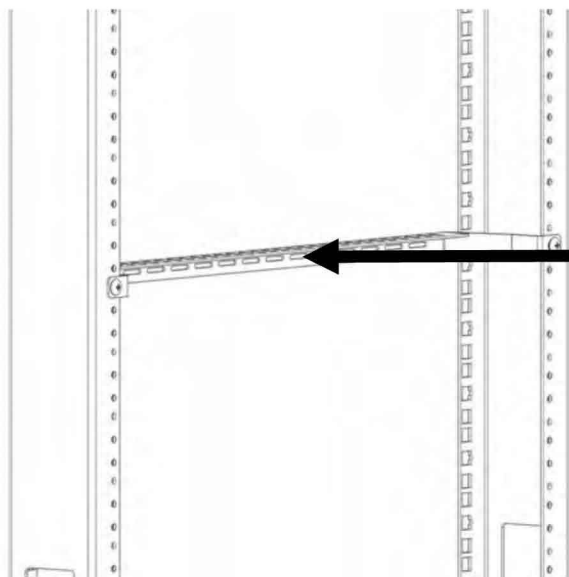
\*\* You will need to supply your own mounting hardware

Step 1:



Mount forward facing or rear facing using standard rack screws (and cage nuts if necessary).

Step 2:



Use cable ties or hook and loop straps to secure cables to the lacing bar.



Distributed by : i-Tech Company LLC

TOLL FREE: (888) 483-2418 • EMAIL: [info@iTechLCD.com](mailto:info@iTechLCD.com) • WEB: [www.iTechLCD.com](http://www.iTechLCD.com)