

KENDALL HOWARD ®

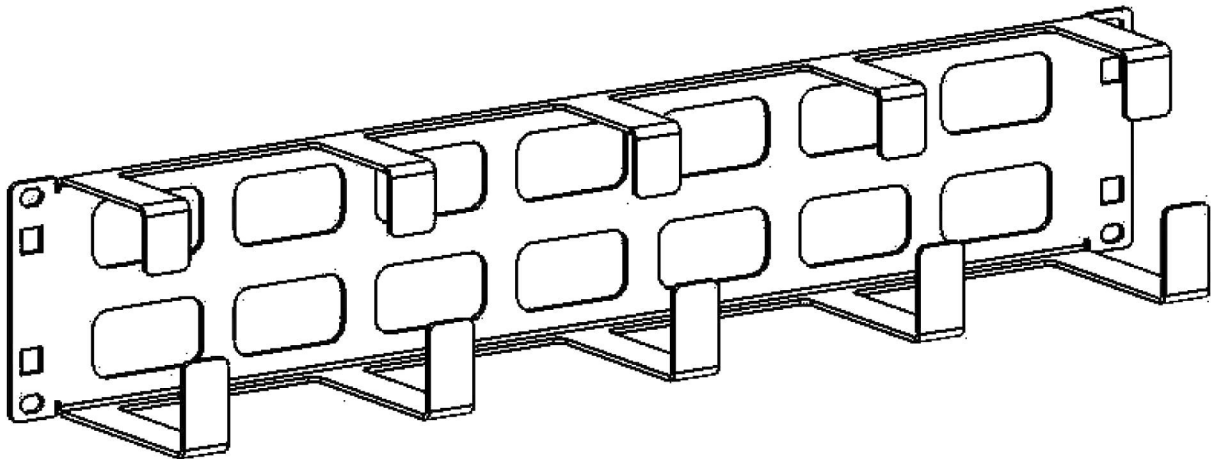
Assembly Instructions

Tool-Less 5X D-Ring Cable Manager

Part Numbers:

1903-3-100-01

1903-3-100-02



Distributed by : i-Tech Company LLC

TOLL FREE: (888) 483-2418 • EMAIL: info@iTechLCD.com • WEB: www.iTechLCD.com

You may need:

Screw Driver

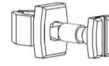


You may also need:

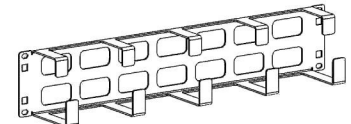


Rack Screws and Cage Nuts

What is in the box:

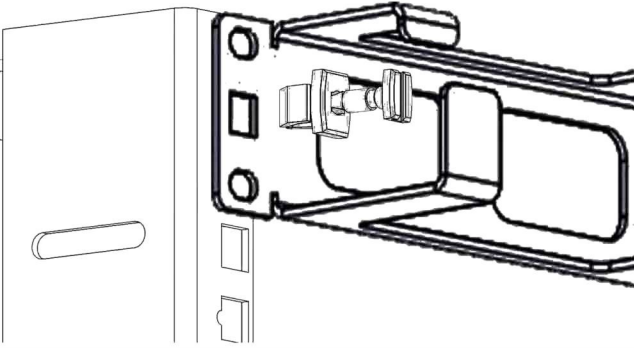


Tool-less clips

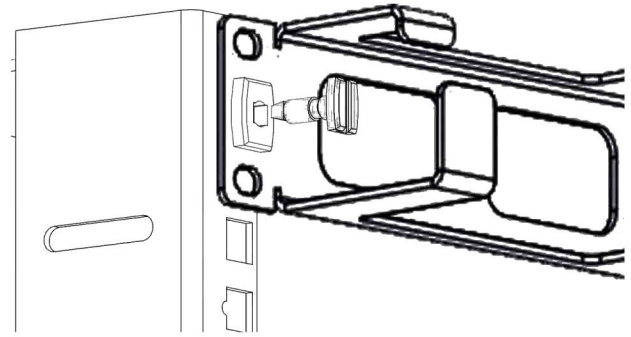


5X D-Ring Cable Manager

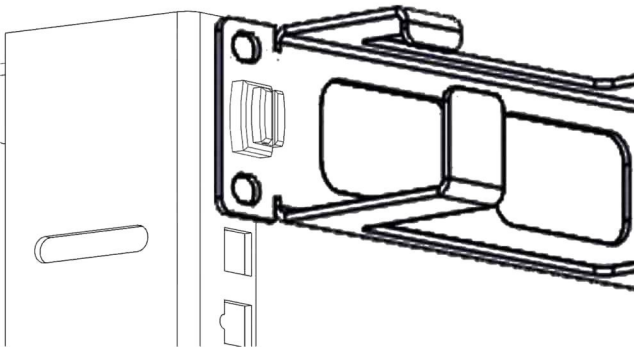
Step 1:



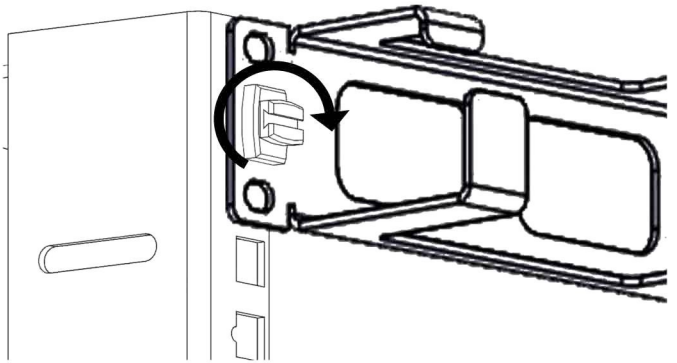
Step 2:



Step 3:

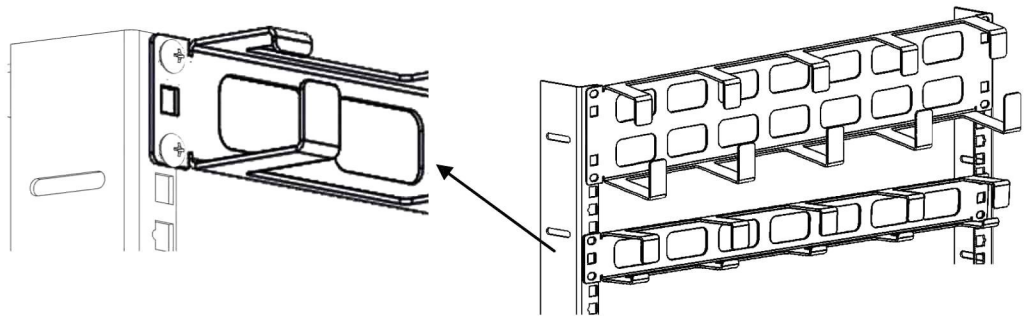


Step 4:



Installation using rack screws
(and cage nuts if needed)

Disclaimer: Tool-less
fasteners are not meant to
support heavy components.
Use racks screws and cage
nuts for heavy components.



Distributed by : i-Tech Company LLC

TOLL FREE: (888) 483-2418 • EMAIL: info@iTechLCD.com • WEB: www.iTechLCD.com