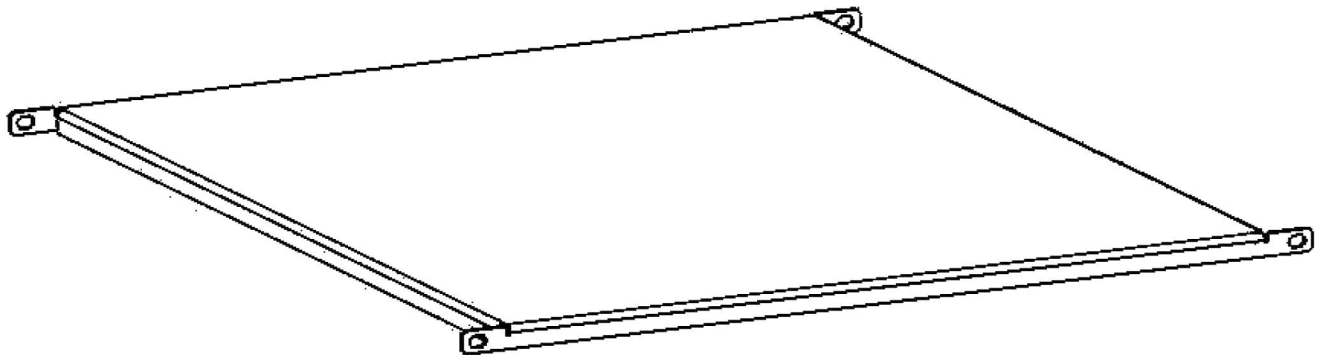


KENDALL HOWARD ®

Assembly Instructions

Full 20" Fixed Rack Shelf

Part Number: 1904-1-001-01

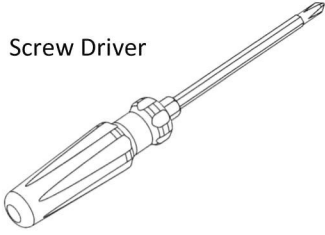


Distributed by : i-Tech Company LLC

TOLL FREE: (888) 483-2418 • EMAIL: info@iTechLCD.com • WEB: www.iTechLCD.com

Tools Needed:

Screw Driver



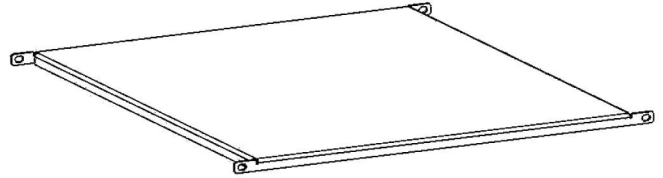
You may also need:



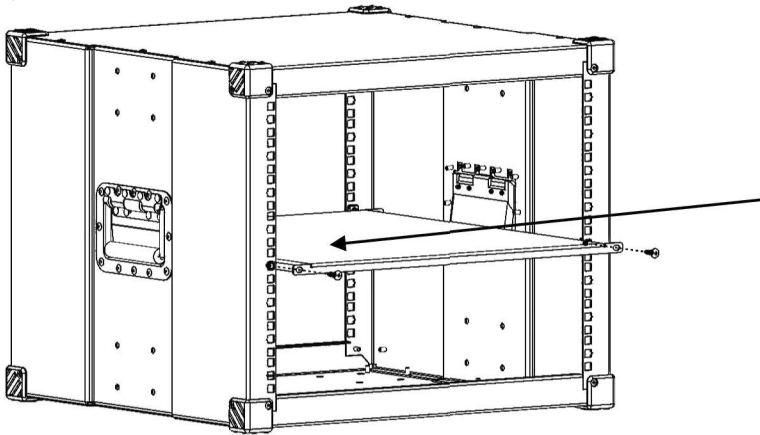
Rack Screws and Cage Nuts

What's in the box?

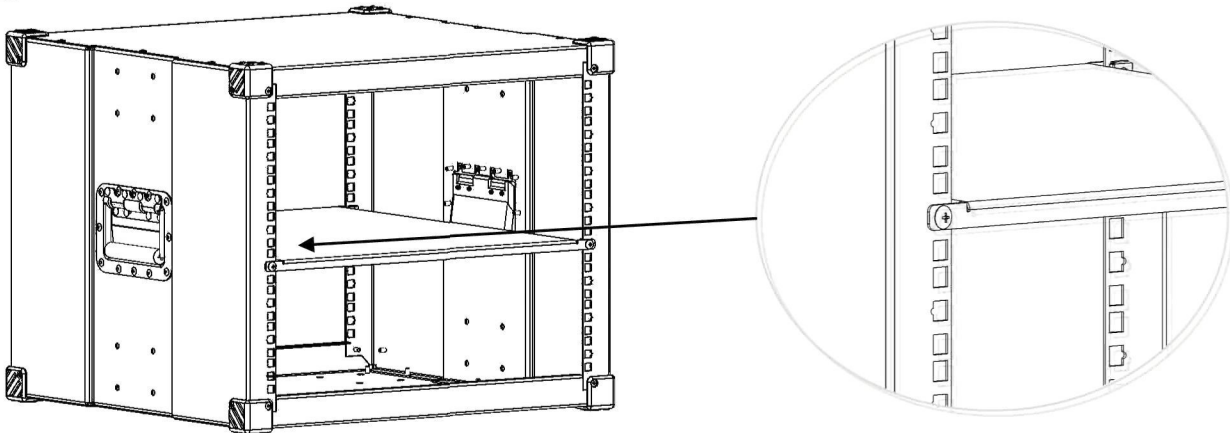
QTY 1 - 20" Fixed Rack Shelf



Step 1:



Step 2:



Repeat on opposite side



Distributed by : i-Tech Company LLC

TOLL FREE: (888) 483-2418 • EMAIL: info@iTechLCD.com • WEB: www.iTechLCD.com