

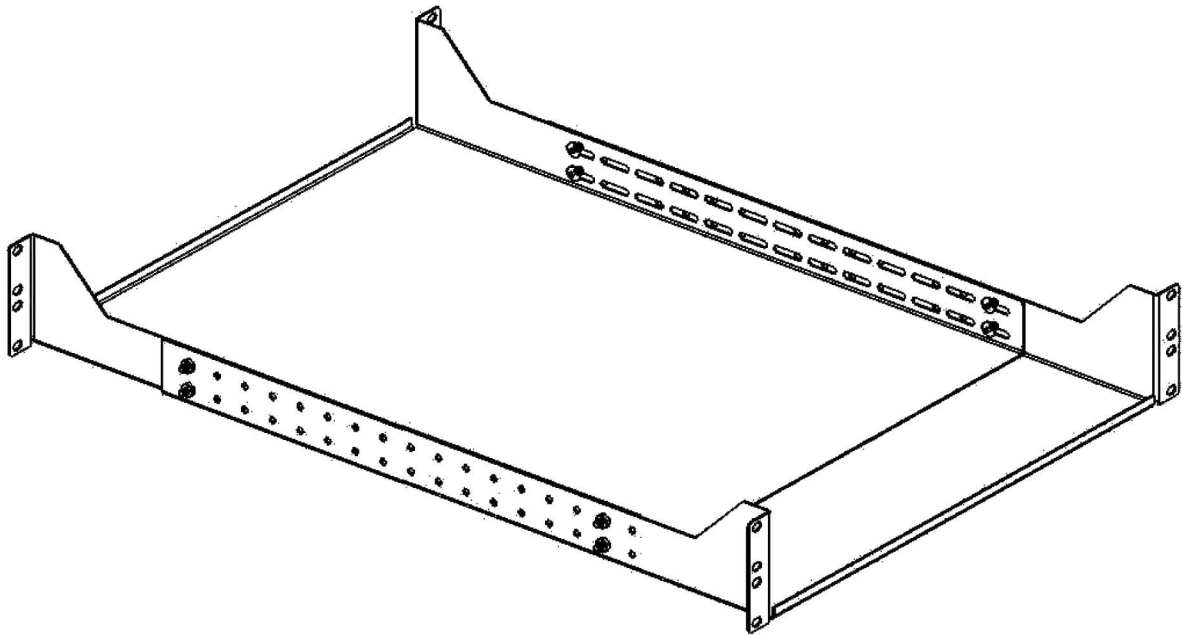
KENDALL HOWARD ®

Assembly Instructions

4-Point Adjustable Shelves

Part Numbers:

1906-3-006-02, 1906-3-007-01, 1906-3-008-01



Distributed by : i-Tech Company LLC

TOLL FREE: (888) 483-2418 • EMAIL: info@iTechLCD.com • WEB: www.iTechLCD.com

Tools Needed:

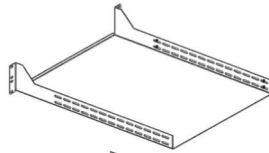


Screw Driver

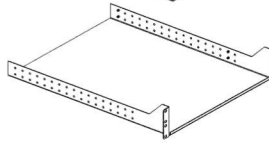
You may also need:



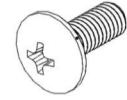
What's in the box:



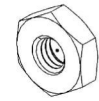
QTY 1:
Shelf Side
with Slots



QTY 1:
Shelf Side
with Holes

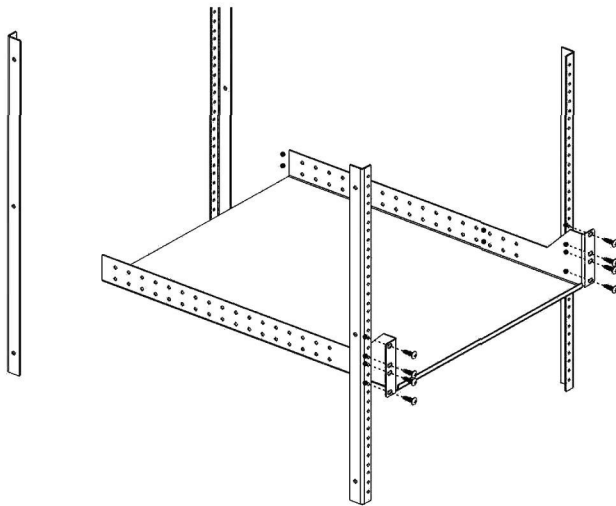


QTY 8:
Screws

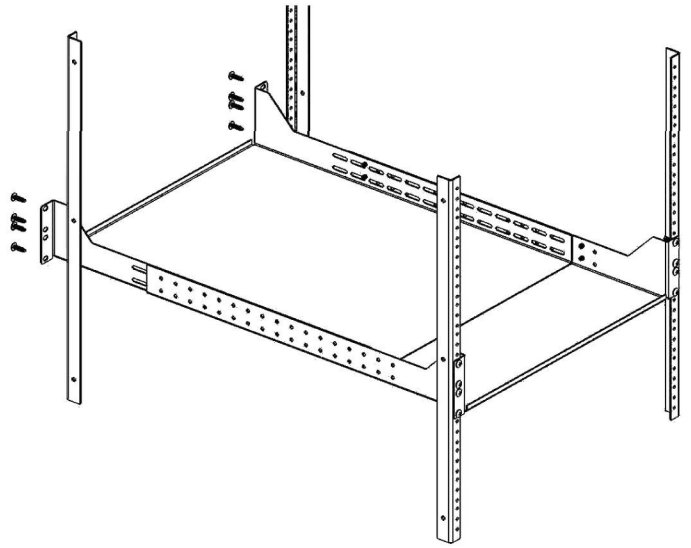


QTY 8:
Nuts

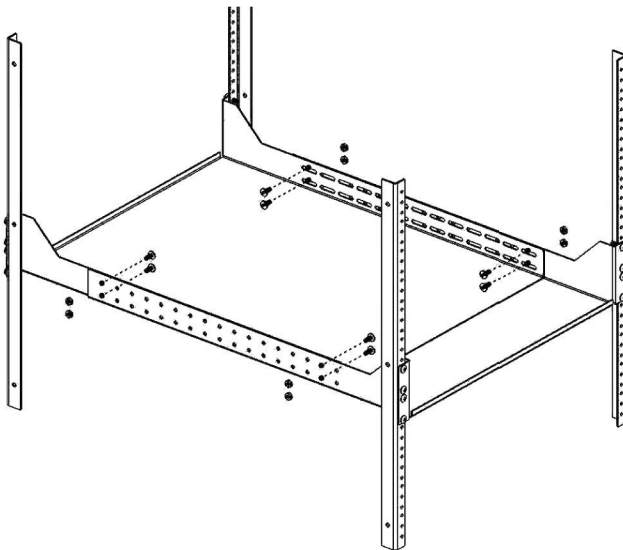
Step 1:



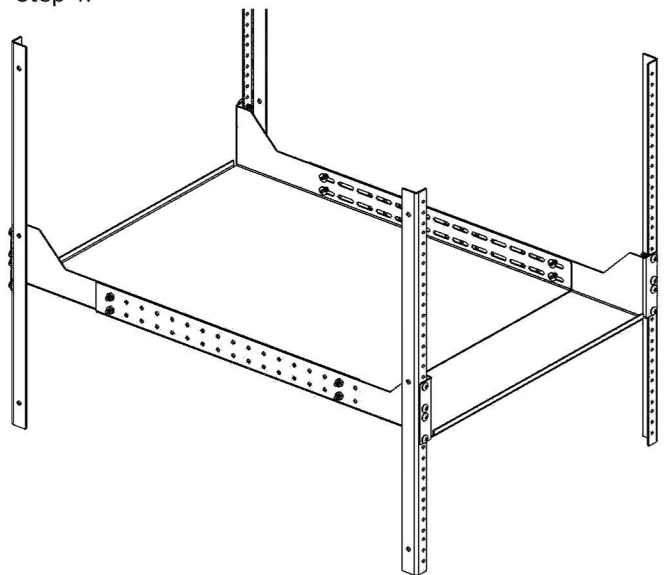
Step 2:



Step 3:



Step 4:



Distributed by : i-Tech Company LLC

TOLL FREE: (888) 483-2418 • EMAIL: info@iTechLCD.com • WEB: www.iTechLCD.com