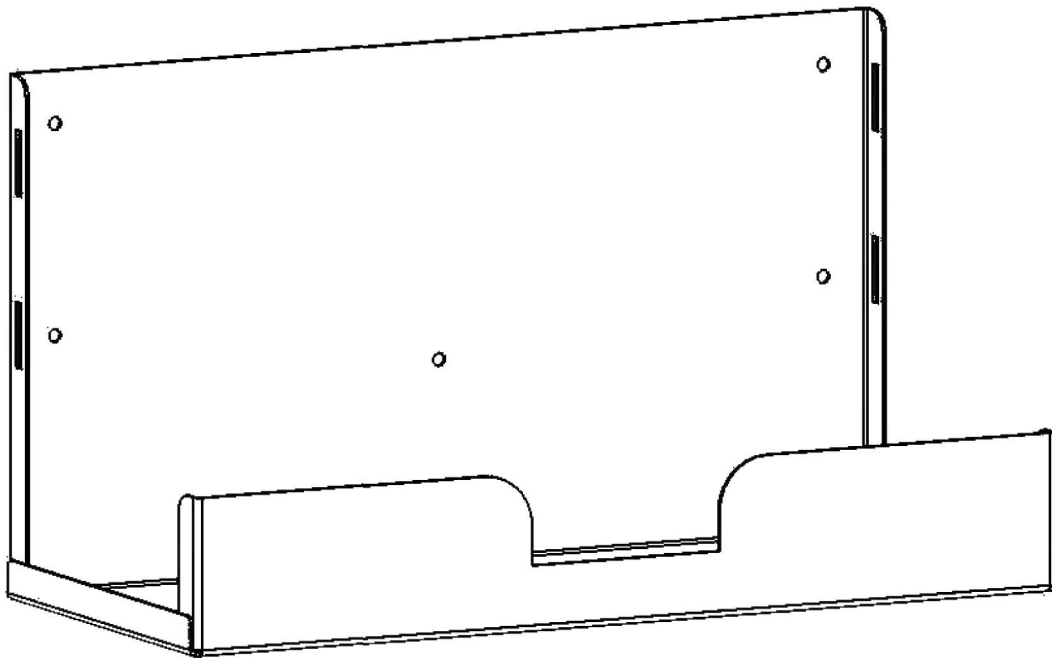


KENDALL HOWARD ®

Assembly Instructions

Wall Mount CPU Bracket

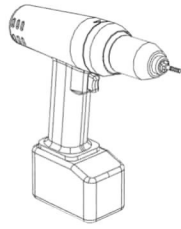
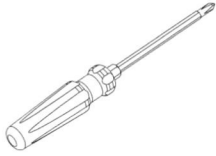
Part Numbers: 1915-1-300-00, 1915-1-400-00



Distributed by : i-Tech Company LLC

TOLL FREE: (888) 483-2418 • EMAIL: info@iTechLCD.com • WEB: www.iTechLCD.com

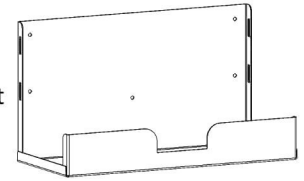
Tools needed:



Screw Driver or Drill

What's in the box?

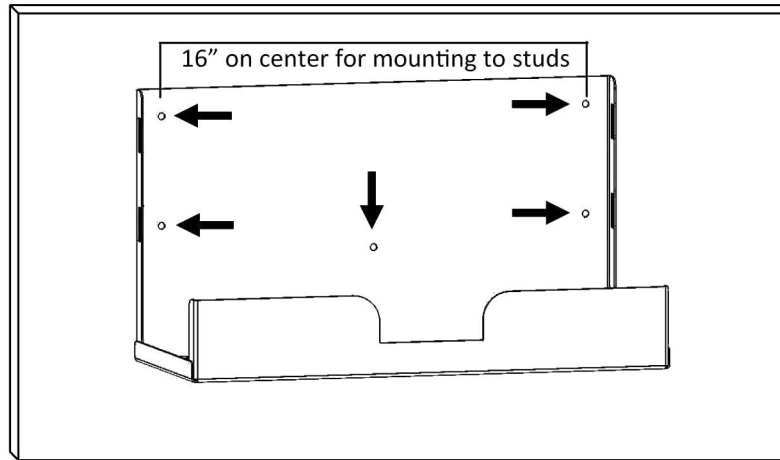
Qty 1—Wall Mount
CPU Bracket



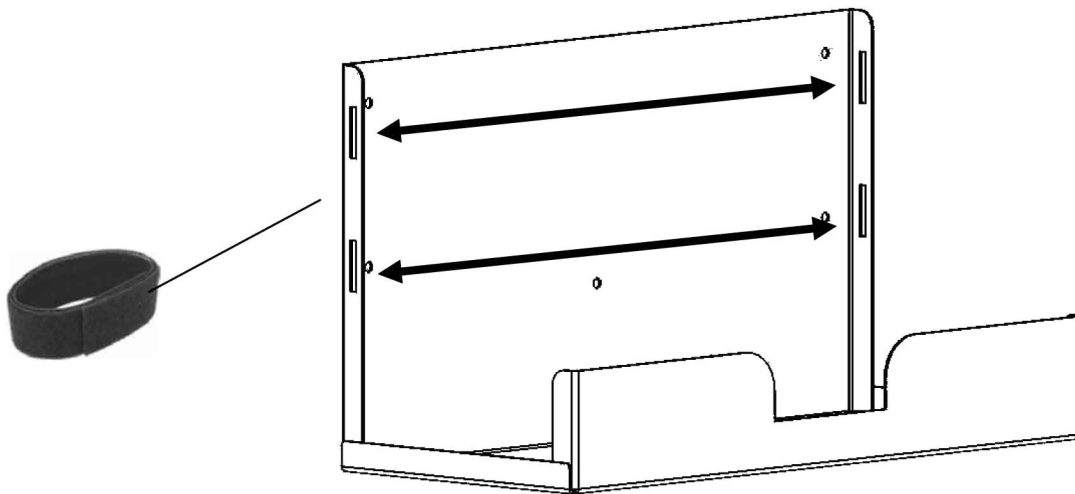
Qty 1—50" Hook and
Loop Strap

** You will need to supply your own mounting hardware.

Step 1



Step 2



Distributed by : i-Tech Company LLC

TOLL FREE: (888) 483-2418 • EMAIL: info@iTechLCD.com • WEB: www.iTechLCD.com