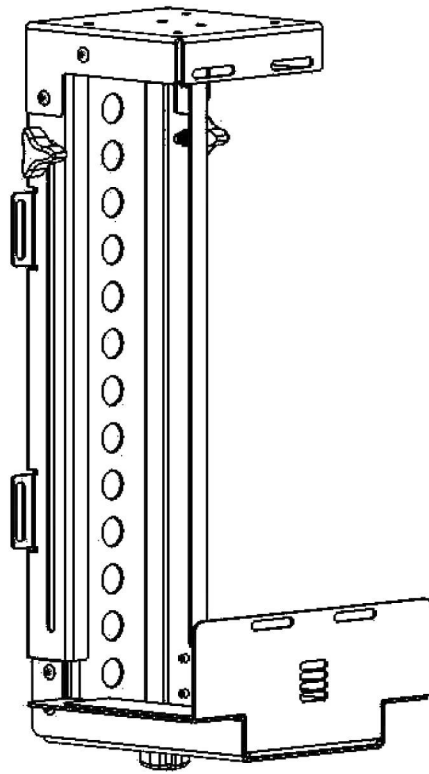


# KENDALL HOWARD ®

## Assembly Instructions

# Adjustable CPU Holder

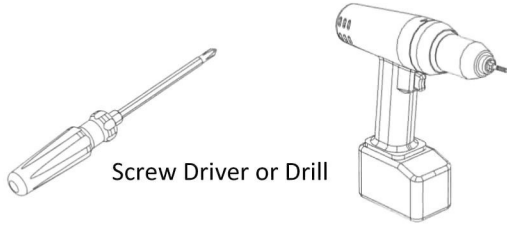
Part Number: 1915-1-500-00



Distributed by : i-Tech Company LLC

TOLL FREE: (888) 483-2418 • EMAIL: [info@iTechLCD.com](mailto:info@iTechLCD.com) • WEB: [www.iTechLCD.com](http://www.iTechLCD.com)

Tools needed:



What's in the box?

Qty 1—Adjustable CPU Holder

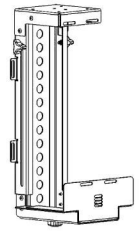
Qty 2—Hook and Loop Straps



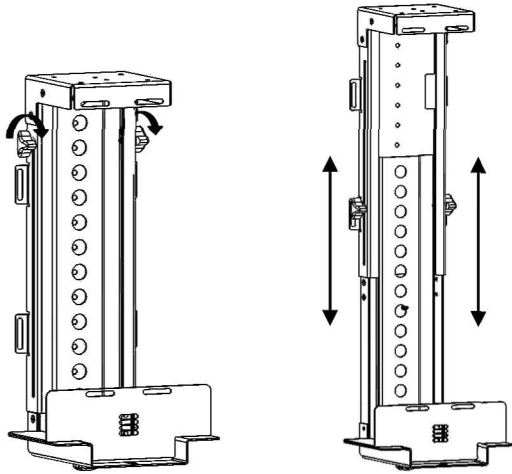
Qty 4—3/4" Screws



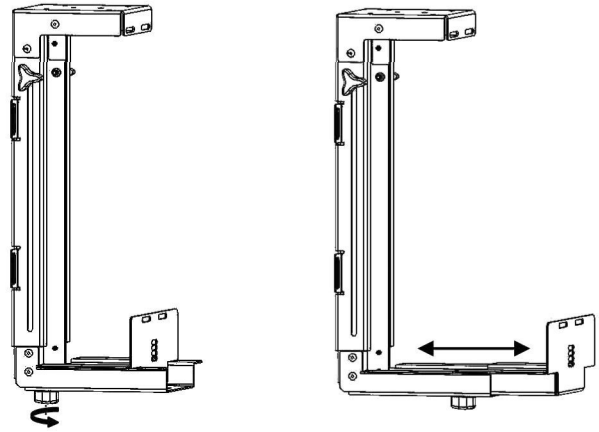
Qty 2—2" Screws



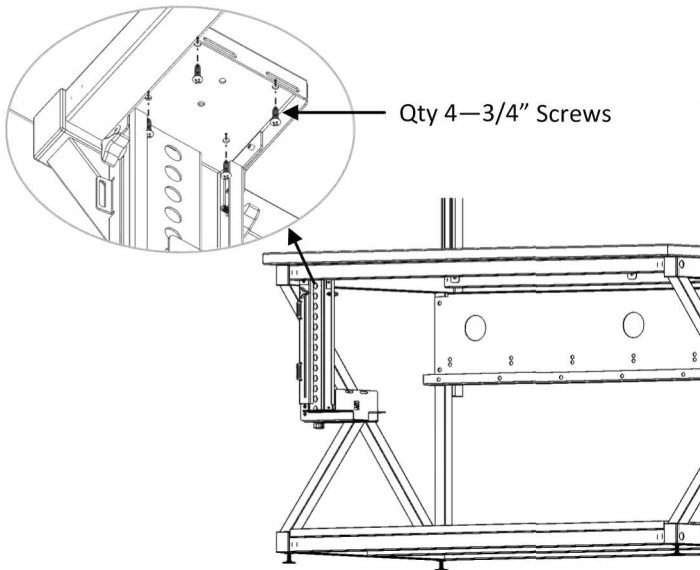
Adjusting the Height:



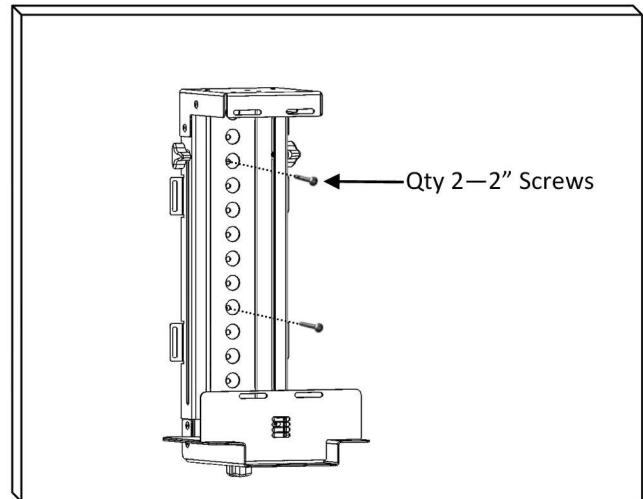
Adjusting the Width:



Securing under a work surface:



Securing to the side of a desk or wall:



Distributed by : i-Tech Company LLC

TOLL FREE: (888) 483-2418 • EMAIL: [info@iTechLCD.com](mailto:info@iTechLCD.com) • WEB: [www.iTechLCD.com](http://www.iTechLCD.com)