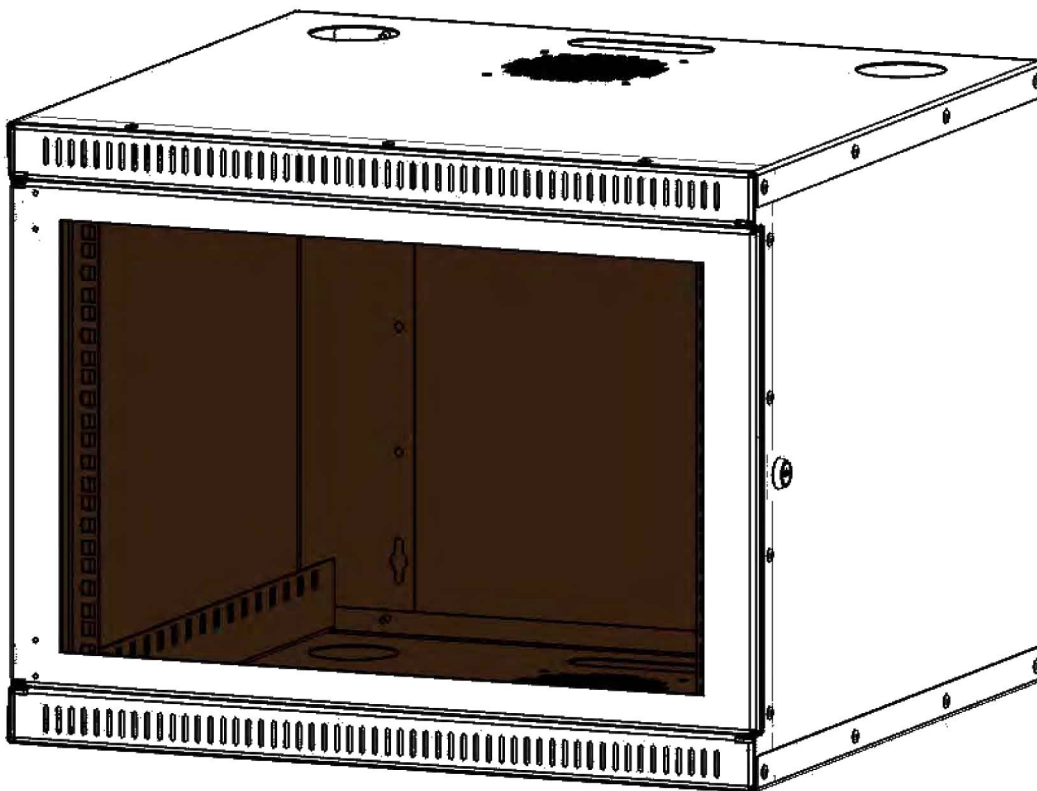


KENDALL HOWARD ®

Installation Instructions

Security Wall Mount Cabinet

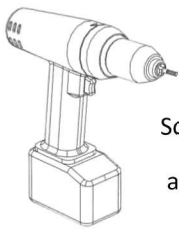
Part Numbers: 1915-3-100-08



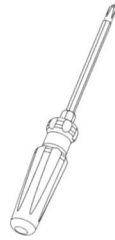
Distributed by : i-Tech Company LLC

TOLL FREE: (888) 483-2418 • EMAIL: info@iTechLCD.com • WEB: www.iTechLCD.com

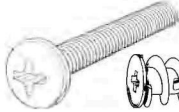
Tools/Hardware needed:



Screw Driver
and/or Drill



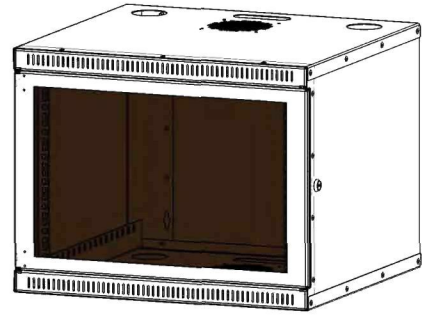
You may also need:



Mounting screws
and anchors

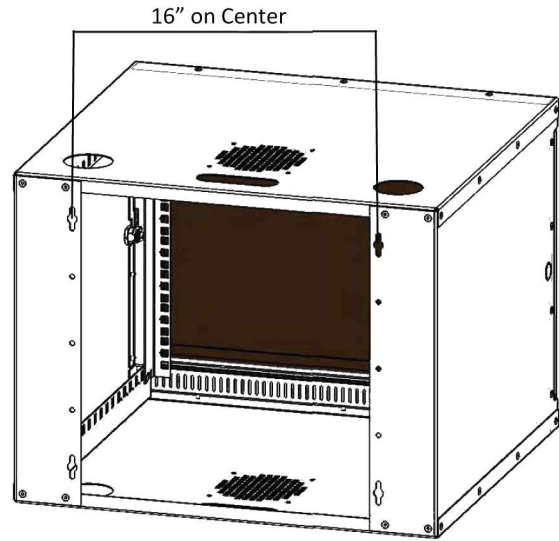
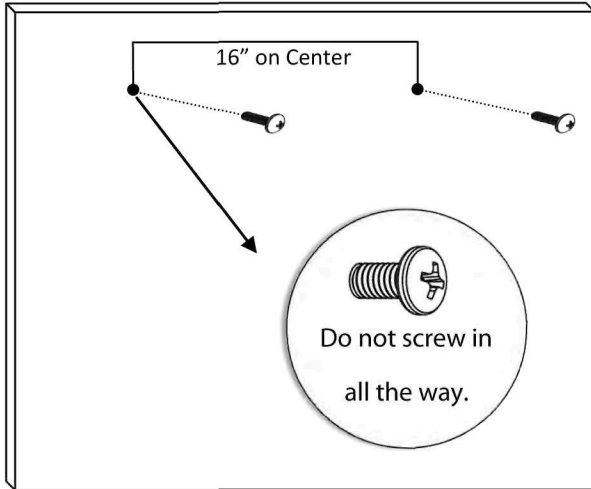
Mounting hardware is **NOT** included

What's in the box?

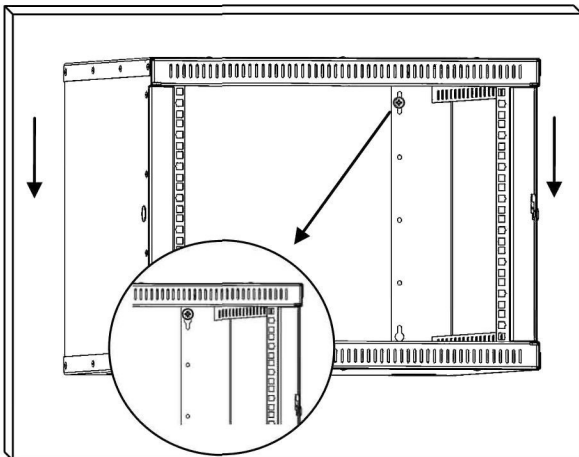


Qty 1: 8U Security Wall Mount Cabinet

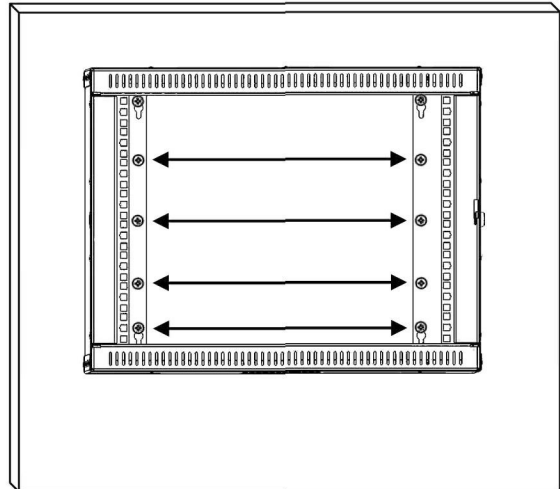
Step 1:



Step 2:



Step 3:



Distributed by : i-Tech Company LLC

TOLL FREE: (888) 483-2418 • EMAIL: info@iTechLCD.com • WEB: www.iTechLCD.com