

# KENDALL HOWARD ®

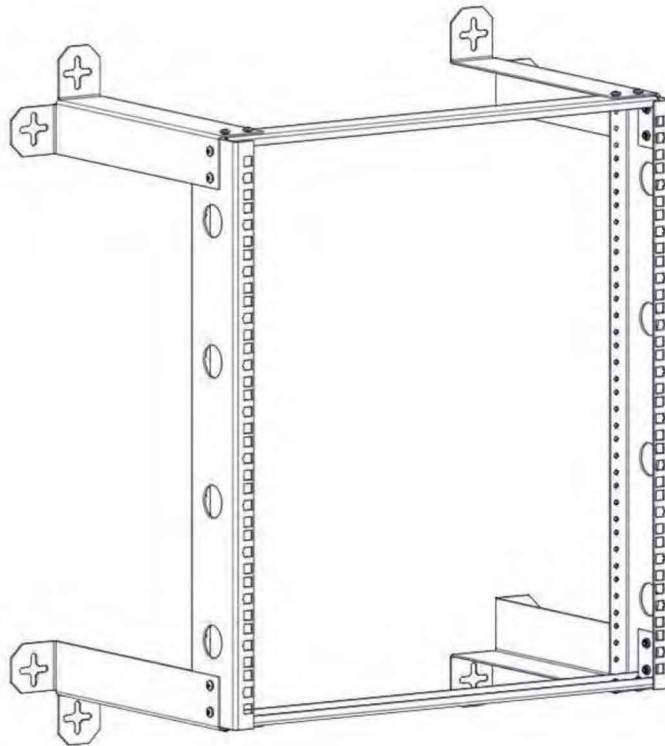
## Assembly Instructions

# V-Line Wall Mount Racks

### Part Numbers:

**12" Depth: 1915-3-300-12, 1915-3-300-16, 1915-3-300-21**

**18" Depth: 1915-3-301-12, 1915-3-301-16, 1915-3-301-21**



Distributed by : i-Tech Company LLC

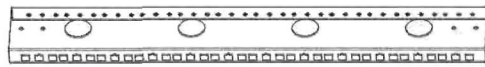
TOLL FREE: (888) 483-2418 • EMAIL: [info@iTechLCD.com](mailto:info@iTechLCD.com) • WEB: [www.iTechLCD.com](http://www.iTechLCD.com)

**Tools Required:**

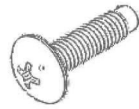
Phillip's Head Screwdriver



**What's in the box?**



QTY 2: Rack Rails

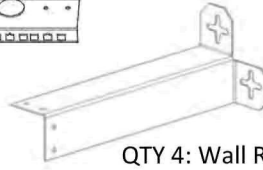


QTY 24: 10-32  
Rack Screws

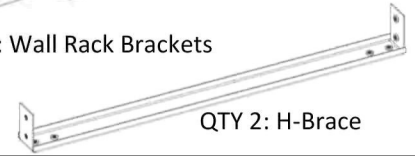


QTY 24: 10-32  
Cage Nuts

QTY 16: Cross Head Screws

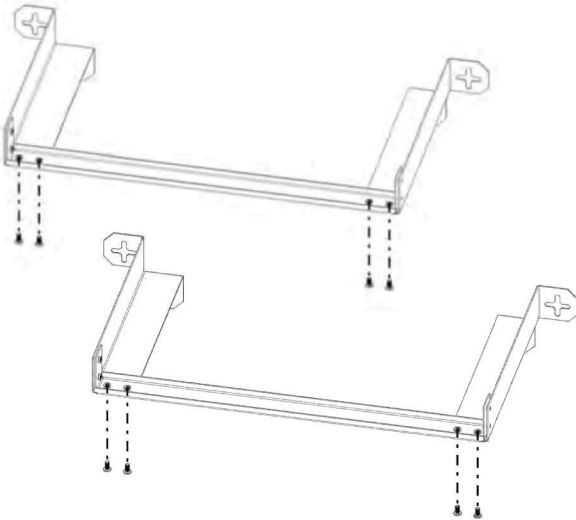


QTY 4: Wall Rack Brackets

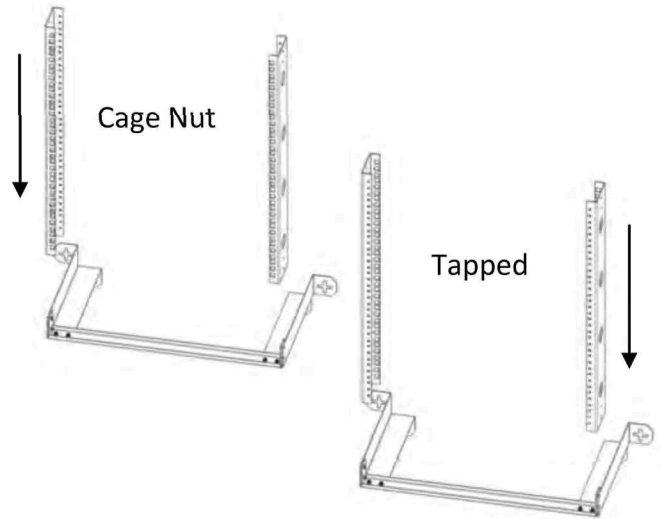


QTY 2: H-Brace

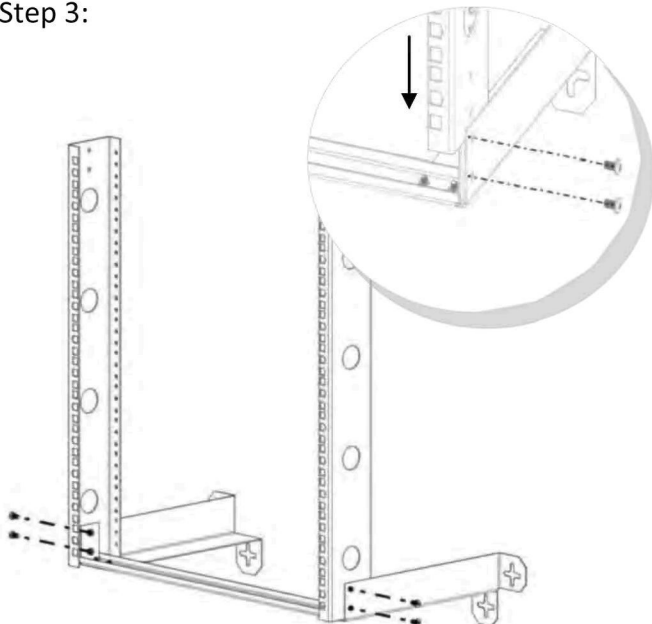
**Step 1:**



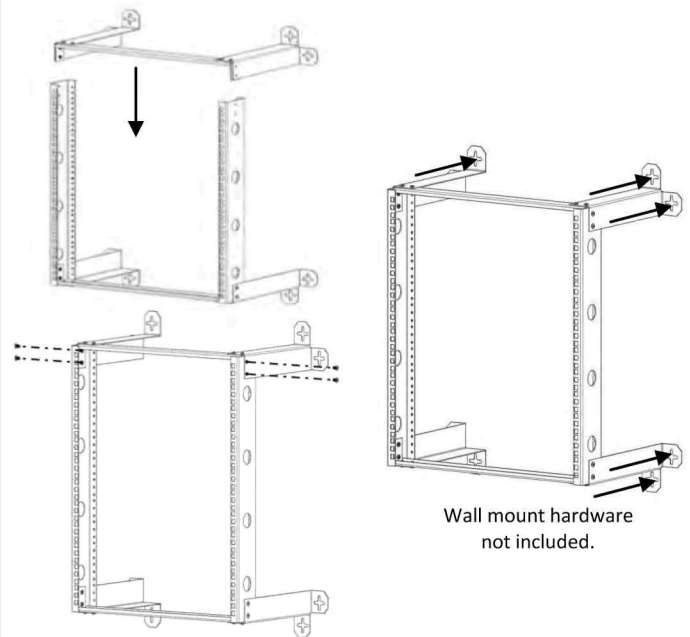
**Step 2:**



**Step 3:**



**Step 4:**



Distributed by : i-Tech Company LLC

TOLL FREE: (888) 483-2418 • EMAIL: [info@iTechLCD.com](mailto:info@iTechLCD.com) • WEB: [www.iTechLCD.com](http://www.iTechLCD.com)