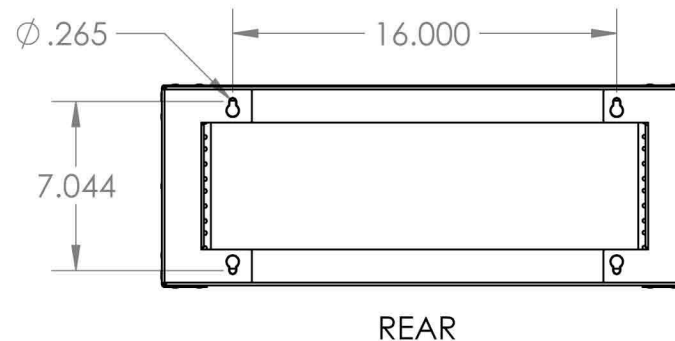
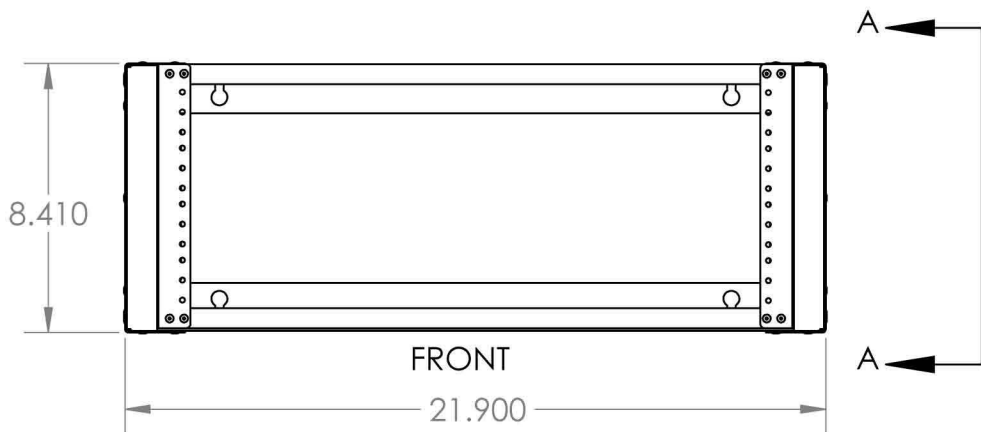


VIEW A-A
SCALE 1 : 6



- NOTE:
1. 19" EIA RACK MOUNT COMPLIANT.
 2. RAILS ARE THREADED, 10-32.
 3. MAXIMUM COMPONENT DEPTH, WITHOUT CABLING, 12.00".
 4. BLACK POWDER COAT.



Distributed by : i-Tech Company LLC

TOLL FREE: (888) 483-2418

• EMAIL: info@iTechLCD.com

• WEB: www.iTechLCD.com

UNLESS OTHERWISE SPECIFIED:
DIMENSIONS ARE IN INCHES
TOLERANCES:
FRACTIONAL ± 1/8
ANGULAR: BEND ± 1 DEGREE
TWO PLACE DECIMAL ± .03
THREE PLACE DECIMAL ± .01

Surface Area			
MATERIAL			
FINISH			
DO NOT SCALE DRAWING			

	NAME	DATE
DRAWN	JL	3/12/2014
CHECKED		
ENG APPR.		
MFG APPR.		
Q.A.		
COMMENTS:		

KENDALL HOWARD		
TITLE: 4U PIVOT FRAME WALL MOUNT RACK		
SIZE A	DWG. NO. 1915-3-400-04 WP	REV -
SCALE: 1:10	WEIGHT: 9.89	SHEET 1 OF 1